



TS5000 series 在线手册

概述
打印
复印
扫描
常见问题

目录

使用本在线手册.....	9
商标和许可协议.....	10
基本操作.....	19
从计算机打印照片.....	20
复印.....	25
打印照片.....	29
使用纸张、原稿、墨水盒、存储卡等.....	33
装入纸张.....	34
装入普通纸/照片纸.....	35
装入信封.....	40
放置原稿.....	44
在稿台玻璃上放置原稿.....	45
根据用途放置.....	47
支持的原稿.....	49
如何拆卸/安装文档盖板.....	50
插入存储卡.....	51
插入存储卡之前.....	52
插入存储卡.....	53
取出存储卡.....	55
更换墨水盒.....	56
更换墨水盒.....	57
在 LCD 屏幕上检查墨水状态.....	62
通过墨水指示灯检查墨水状态.....	63
维护.....	65
如果打印变得暗淡或不均匀.....	66
维护步骤.....	67
打印喷嘴检查图案.....	70
检查喷嘴检查图案.....	72
清洗打印头.....	74
深度打印头清洗.....	76
对齐打印头.....	78

从计算机检查墨水状态.....	81
清洁.....	82
清洁进纸滚轴.....	83
清洁打印机内部(底板清洁).....	85
概述.....	88
安全相关.....	90
安全注意事项.....	91
法规信息.....	92
WEEE (EU&EEA).....	93
主要部件和使用方法.....	94
主要部件.....	95
前视图.....	96
后视图.....	98
内部视图.....	99
操作面板.....	100
电源供应.....	101
确认电源已开启.....	102
开启和关闭打印机.....	103
检查电源插头/电源线.....	105
拔出打印机插头.....	106
LCD 屏幕和操作面板.....	107
更改设置.....	109
从您的计算机中更改打印机设置(Mac OS).....	110
注册已更改的打印配置文件.....	111
管理打印机电源.....	113
更改打印机操作模式.....	114
从操作面板更改设置.....	115
从操作面板更改设置.....	116
操作面板上的设置项目.....	118
打印设置.....	119
LAN 设置.....	120
设备用户设置.....	125
语言选择.....	127
固件更新.....	128

送纸设置.....	129
重置设置.....	130
系统信息.....	131
环保设置.....	132
网络连接.....	133
网络连接提示.....	134
默认网络设置.....	135
找到其他具有相同名称的打印机.....	137
通过 LAN 连接到其他计算机/从 USB 更改为 LAN 连接.....	138
打印网络设置.....	139
更改无线 LAN 连接方法.....	143
确保获得最佳打印结果.....	144
运输打印机.....	145
扫描/复印的法律限制.....	146
规格.....	147
纸张相关信息.....	151
支持的介质类型.....	152
纸张装入限量.....	154
不支持的介质类型.....	156
处理纸张.....	157
从计算机打印.....	158
从应用程序软件打印(Mac OS 打印机驱动程序).....	159
基本打印设置.....	160
打印机驱动程序和打印机上的纸张设置(介质类型).....	164
打印机驱动程序和打印机上的纸张设置(纸张尺寸).....	165
多种打印方法.....	166
设置打印份数和打印顺序.....	167
执行无边距打印.....	169
比例打印.....	172
页面布局打印.....	173
设置信封打印.....	175
在明信片上打印.....	176
设置打印质量级别(用户定义).....	177

打印机驱动程序概述.....	178
Canon IJ 打印机驱动程序.....	179
如何打开打印机驱动程序设置窗口.....	180
页面设置对话框.....	181
打印对话框.....	182
Canon IJ Printer Utility2.....	184
显示打印状态屏幕.....	185
使用说明(打印机驱动程序).....	186
安装打印机驱动程序.....	187
直接从智能手机/平板电脑打印.....	188
通过无线直连使用打印机.....	189
打印照片数据.....	194
打印保存在存储卡中的照片.....	195
使用操作面板设置照片打印的项目.....	199
纸张设置.....	201
进行复印.....	205
设置复印项目.....	208
从计算机扫描 (Mac OS).....	211
使用扫描仪驱动程序(ICA 驱动程序)扫描.....	212
使用 IJ Scan Utility.....	213
什么是 IJ Scan Utility(扫描仪软件)?.....	214
启动 IJ Scan Utility.....	216
使用自动扫描功能.....	217
IJ Scan Utility 屏幕.....	218
使用扫描仪驱动程序(ICA 驱动程序).....	238
图像修正和色彩调整.....	239
注意事项(扫描仪驱动程序).....	243
更新扫描仪驱动程序.....	244
使用 AirPrint 进行扫描.....	248
使用 IJ Scan Utility Lite.....	249
什么是 IJ Scan Utility Lite(扫描仪软件)?.....	250
启动 IJ Scan Utility Lite.....	252
扫描文档和照片.....	253
IJ Scan Utility Lite 屏幕.....	254

扫描提示.....	259
放置原稿(从计算机扫描).....	260
网络扫描设置.....	262
从操作面板扫描.....	264
使用操作面板将扫描的数据转发到计算机.....	265
使用操作面板设置扫描项目.....	270
常见问题.....	272
网络设置和常见问题.....	274
将打印机连接到网络.....	276
限制.....	278
网络通讯问题.....	279
无法在网络上找到打印机.....	280
设置时无法在检查打印机设置屏幕上找到打印机(Windows).....	281
进行无线 LAN 设置时无法在检查打印机设置屏幕上找到打印机(Windows)-检查电源状态..	282
进行无线 LAN 设置时无法在检查打印机设置屏幕上找到打印机(Windows)-检查计算机网络连接.....	283
进行无线 LAN 设置时无法在检查打印机设置屏幕上找到打印机(Windows)-检查打印机的无线 LAN 设置.....	284
进行无线 LAN 设置时无法在检查打印机设置屏幕上找到打印机(Windows)-检查无线 LAN 环境.....	285
进行无线 LAN 设置时无法在检查打印机设置屏幕上找到打印机(Windows)-检查打印机的 IP 地址.....	287
进行无线 LAN 设置时无法在检查打印机设置屏幕上找到打印机(Windows)-检查安全软件设置..	288
进行无线 LAN 设置时无法在检查打印机设置屏幕上找到打印机(Windows)-检查无线路由器设置.....	289
在打印机连接屏幕/连接电缆线屏幕无法继续操作.....	290
使用无线 LAN 时无法找到打印机.....	292
网络连接问题.....	294
打印机突然无法使用.....	295
网络密钥未知.....	299
更换无线路由器或更改其设置后无法使用打印机.....	301
其他网络问题.....	302
检查网络信息.....	303
恢复至出厂默认值.....	306

打印问题.....	307
打印不开始.....	308
没有墨水喷出.....	310
纸张没有正确送入/“无纸”错误.....	311
打印结果不理想.....	313
纸张空白/打印模糊不清/颜色错误/出现白色条纹.....	315
线条未对齐.....	318
纸张出现污迹 / 打印面有划痕.....	319
图像旁边有垂直线条.....	323
扫描的问题 (Mac OS).....	324
扫描的问题.....	325
扫描仪不工作.....	326
扫描仪驱动程序不启动.....	327
IJ Scan Utility Lite 错误信息.....	328
机械问题.....	330
电源未开启.....	331
电源自动关闭.....	332
USB 连接问题.....	333
无法通过 USB 与打印机通讯.....	334
安装和下载问题.....	335
无法安装 MP Drivers.....	336
在网络环境中更新 MP Drivers(Windows).....	338
错误和信息.....	339
发生错误.....	340
出现信息.....	342
与错误对应的支持代码列表.....	349
与错误对应的支持代码列表(卡纸).....	351
1300.....	352
打印机内卡纸.....	353
1000.....	359
1200.....	360
1401.....	361
1600.....	362

1660.....	363
1688.....	364
1689.....	365
1700.....	366
1890.....	367
2900.....	368
2901.....	369
4103.....	370
5011.....	371
5012.....	372
5100.....	373
5200.....	374
5B00.....	375
6000.....	376
C000.....	377

使用本在线手册

- [该文档中使用的符号](#)
- [已启用触摸功能的设备用户 \(Windows\)](#)

该文档中使用的符号

警告

如果忽略说明，可能会由于不正确的设备操作而导致死亡或严重的人身伤害。为安全操作必须注意该说明。

注意

如果忽略说明，可能会由于不正确的设备操作而导致人身伤害或器材损坏。为安全操作必须注意该说明。

重要事项

包含重要信息的用法说明。要避免机器损坏、人身伤害或不正当使用本产品，请务必阅读这些指示。

注释

该说明包括对于操作和其他解释的注意事项。

基础

介绍产品基本操作的说明。

注释

- 根据产品，图标可能会有所不同。

已启用触摸功能的设备用户 (Windows)

对于触摸操作，需要使用操作系统中设置的操作替换本文档中的“右键单击”。例如，如果操作系统中设置的操作为“按住”，请将“右键单击”替换为“按住”。

商标和许可协议

- Microsoft 是 Microsoft Corporation 的注册商标。
- Windows 是 Microsoft Corporation 在美国和/或其他国家/地区的商标或注册商标。
- Windows Vista 是 Microsoft Corporation 在美国和/或其他国家/地区的商标或注册商标。
- Internet Explorer 是 Microsoft Corporation 在美国和/或其他国家/地区的商标或注册商标。
- Mac、Mac OS、AirPort、Safari、Bonjour、iPad、iPhone 和 iPod touch 是 Apple Inc.在美国和其他国家/地区注册的商标。macOS、App Store、AirPrint 和 AirPrint 徽标是 Apple Inc.的商标。
- IOS 是 Cisco 在美国和其他国家/地区的商标或注册商标，在许可下使用。
- Google Cloud Print、Google Chrome、Chrome OS、Chromebook、Android、Google Play、Google Drive 和 Google Apps 是 Google Inc.的注册商标或商标
- Adobe、Flash、Photoshop、Photoshop Elements、Lightroom、Adobe RGB 和 Adobe RGB (1998)是 Adobe Systems Incorporated 在美国和/或其他国家/地区的注册商标或商标。
- Bluetooth 是 Bluetooth SIG, Inc., U.S.A.的商标并授权给 Canon Inc.
- Autodesk 和 AutoCAD 是 Autodesk, Inc.和/或其子公司和/或其关联公司在美国和/或其他国家/地区的注册商标或商标。

»» 注释

- Windows Vista 的正式名称为 Microsoft Windows Vista 操作系统。

Copyright (c) 2003-2004, Apple Computer, Inc. All rights reserved.

Redistribution and use in source and binary forms, with or without modification, are permitted provided that the following conditions are met:

1. Redistributions of source code must retain the above copyright notice, this list of conditions and the following disclaimer.
2. Redistributions in binary form must reproduce the above copyright notice, this list of conditions and the following disclaimer in the documentation and/or other materials provided with the distribution.
3. Neither the name of Apple Computer, Inc. ("Apple") nor the names of its contributors may be used to endorse or promote products derived from this software without specific prior written permission.

THIS SOFTWARE IS PROVIDED BY APPLE AND ITS CONTRIBUTORS "AS IS" AND ANY EXPRESS OR IMPLIED WARRANTIES, INCLUDING, BUT NOT LIMITED TO, THE IMPLIED WARRANTIES OF MERCHANTABILITY AND FITNESS FOR A PARTICULAR PURPOSE ARE DISCLAIMED. IN NO EVENT SHALL APPLE OR ITS CONTRIBUTORS BE LIABLE FOR ANY DIRECT, INDIRECT, INCIDENTAL, SPECIAL, EXEMPLARY, OR CONSEQUENTIAL DAMAGES (INCLUDING, BUT NOT LIMITED TO, PROCUREMENT OF SUBSTITUTE GOODS OR SERVICES; LOSS OF USE, DATA, OR PROFITS; OR BUSINESS INTERRUPTION) HOWEVER CAUSED AND ON ANY THEORY OF LIABILITY, WHETHER IN CONTRACT, STRICT LIABILITY, OR TORT (INCLUDING NEGLIGENCE OR OTHERWISE) ARISING IN ANY WAY OUT OF THE USE OF THIS SOFTWARE, EVEN IF ADVISED OF THE POSSIBILITY OF SUCH DAMAGE.

Apache License

Version 2.0, January 2004

<http://www.apache.org/licenses/>

TERMS AND CONDITIONS FOR USE, REPRODUCTION, AND DISTRIBUTION

1. Definitions.

"License" shall mean the terms and conditions for use, reproduction, and distribution as defined by Sections 1 through 9 of this document.

"Licensor" shall mean the copyright owner or entity authorized by the copyright owner that is granting the License.

"Legal Entity" shall mean the union of the acting entity and all other entities that control, are controlled by, or are under common control with that entity. For the purposes of this definition, "control" means (i) the power, direct or indirect, to cause the direction or management of such entity, whether by contract or otherwise, or (ii) ownership of fifty percent (50%) or more of the outstanding shares, or (iii) beneficial ownership of such entity.

"You" (or "Your") shall mean an individual or Legal Entity exercising permissions granted by this License.

"Source" form shall mean the preferred form for making modifications, including but not limited to software source code, documentation source, and configuration files.

"Object" form shall mean any form resulting from mechanical transformation or translation of a Source form, including but not limited to compiled object code, generated documentation, and conversions to other media types.

"Work" shall mean the work of authorship, whether in Source or Object form, made available under the License, as indicated by a copyright notice that is included in or attached to the work (an example is provided in the Appendix below).

"Derivative Works" shall mean any work, whether in Source or Object form, that is based on (or derived from) the Work and for which the editorial revisions, annotations, elaborations, or other modifications represent, as a whole, an original work of authorship. For the purposes of this License, Derivative Works shall not include works that remain separable from, or merely link (or bind by name) to the interfaces of, the Work and Derivative Works thereof.

"Contribution" shall mean any work of authorship, including the original version of the Work and any modifications or additions to that Work or Derivative Works thereof, that is intentionally submitted to Licensor for inclusion in the Work by the copyright owner or by an individual or Legal Entity authorized to submit on behalf of the copyright owner. For the purposes of this definition, "submitted" means any form of electronic, verbal, or written communication sent to the Licensor or its representatives, including but not limited to communication on electronic mailing lists, source code control systems, and issue tracking systems that are managed by, or on behalf of, the Licensor for the purpose of discussing and improving the Work, but excluding communication that is conspicuously marked or otherwise designated in writing by the copyright owner as "Not a Contribution."

"Contributor" shall mean Licensor and any individual or Legal Entity on behalf of whom a Contribution has been received by Licensor and subsequently incorporated within the Work.

2. Grant of Copyright License. Subject to the terms and conditions of this License, each Contributor hereby grants to You a perpetual, worldwide, non-exclusive, no-charge, royalty-free, irrevocable copyright license to reproduce, prepare Derivative Works of, publicly display, publicly perform, sublicense, and distribute the Work and such Derivative Works in Source or Object form.
3. Grant of Patent License. Subject to the terms and conditions of this License, each Contributor hereby grants to You a perpetual, worldwide, non-exclusive, no-charge, royalty-free, irrevocable (except as stated in this section) patent license to make, have made, use, offer to sell, sell, import, and otherwise transfer the Work, where such license applies only to those patent claims licensable by such Contributor that are necessarily infringed by their Contribution(s) alone or by combination of their

Contribution(s) with the Work to which such Contribution(s) was submitted. If You institute patent litigation against any entity (including a cross-claim or counterclaim in a lawsuit) alleging that the Work or a Contribution incorporated within the Work constitutes direct or contributory patent infringement, then any patent licenses granted to You under this License for that Work shall terminate as of the date such litigation is filed.

4. Redistribution. You may reproduce and distribute copies of the Work or Derivative Works thereof in any medium, with or without modifications, and in Source or Object form, provided that You meet the following conditions:
 1. You must give any other recipients of the Work or Derivative Works a copy of this License; and
 2. You must cause any modified files to carry prominent notices stating that You changed the files; and
 3. You must retain, in the Source form of any Derivative Works that You distribute, all copyright, patent, trademark, and attribution notices from the Source form of the Work, excluding those notices that do not pertain to any part of the Derivative Works; and
 4. If the Work includes a "NOTICE" text file as part of its distribution, then any Derivative Works that You distribute must include a readable copy of the attribution notices contained within such NOTICE file, excluding those notices that do not pertain to any part of the Derivative Works, in at least one of the following places: within a NOTICE text file distributed as part of the Derivative Works; within the Source form or documentation, if provided along with the Derivative Works; or, within a display generated by the Derivative Works, if and wherever such third-party notices normally appear. The contents of the NOTICE file are for informational purposes only and do not modify the License. You may add Your own attribution notices within Derivative Works that You distribute, alongside or as an addendum to the NOTICE text from the Work, provided that such additional attribution notices cannot be construed as modifying the License.

You may add Your own copyright statement to Your modifications and may provide additional or different license terms and conditions for use, reproduction, or distribution of Your modifications, or for any such Derivative Works as a whole, provided Your use, reproduction, and distribution of the Work otherwise complies with the conditions stated in this License.

5. Submission of Contributions. Unless You explicitly state otherwise, any Contribution intentionally submitted for inclusion in the Work by You to the Licensor shall be under the terms and conditions of this License, without any additional terms or conditions. Notwithstanding the above, nothing herein shall supersede or modify the terms of any separate license agreement you may have executed with Licensor regarding such Contributions.
6. Trademarks. This License does not grant permission to use the trade names, trademarks, service marks, or product names of the Licensor, except as required for reasonable and customary use in describing the origin of the Work and reproducing the content of the NOTICE file.
7. Disclaimer of Warranty. Unless required by applicable law or agreed to in writing, Licensor provides the Work (and each Contributor provides its Contributions) on an "AS IS" BASIS, WITHOUT WARRANTIES OR CONDITIONS OF ANY KIND, either express or implied, including, without limitation, any warranties or conditions of TITLE, NON-INFRINGEMENT, MERCHANTABILITY, or FITNESS FOR A PARTICULAR PURPOSE. You are solely responsible for determining the appropriateness of using or redistributing the Work and assume any risks associated with Your exercise of permissions under this License.
8. Limitation of Liability. In no event and under no legal theory, whether in tort (including negligence), contract, or otherwise, unless required by applicable law (such as deliberate and grossly negligent acts) or agreed to in writing, shall any Contributor be liable to You for damages, including any direct,

indirect, special, incidental, or consequential damages of any character arising as a result of this License or out of the use or inability to use the Work (including but not limited to damages for loss of goodwill, work stoppage, computer failure or malfunction, or any and all other commercial damages or losses), even if such Contributor has been advised of the possibility of such damages.

9. Accepting Warranty or Additional Liability. While redistributing the Work or Derivative Works thereof, You may choose to offer, and charge a fee for, acceptance of support, warranty, indemnity, or other liability obligations and/or rights consistent with this License. However, in accepting such obligations, You may act only on Your own behalf and on Your sole responsibility, not on behalf of any other Contributor, and only if You agree to indemnify, defend, and hold each Contributor harmless for any liability incurred by, or claims asserted against, such Contributor by reason of your accepting any such warranty or additional liability.

END OF TERMS AND CONDITIONS

---- Part 1: CMU/UCD copyright notice: (BSD like) ----

Copyright 1989, 1991, 1992 by Carnegie Mellon University

Derivative Work - 1996, 1998-2000

Copyright 1996, 1998-2000 The Regents of the University of California

All Rights Reserved

Permission to use, copy, modify and distribute this software and its documentation for any purpose and without fee is hereby granted, provided that the above copyright notice appears in all copies and that both that copyright notice and this permission notice appear in supporting documentation, and that the name of CMU and The Regents of the University of California not be used in advertising or publicity pertaining to distribution of the software without specific written permission.

CMU AND THE REGENTS OF THE UNIVERSITY OF CALIFORNIA DISCLAIM ALL WARRANTIES WITH REGARD TO THIS SOFTWARE, INCLUDING ALL IMPLIED WARRANTIES OF MERCHANTABILITY AND FITNESS. IN NO EVENT SHALL CMU OR THE REGENTS OF THE UNIVERSITY OF CALIFORNIA BE LIABLE FOR ANY SPECIAL, INDIRECT OR CONSEQUENTIAL DAMAGES OR ANY DAMAGES WHATSOEVER RESULTING FROM THE LOSS OF USE, DATA OR PROFITS, WHETHER IN AN ACTION OF CONTRACT, NEGLIGENCE OR OTHER TORTIOUS ACTION, ARISING OUT OF OR IN CONNECTION WITH THE USE OR PERFORMANCE OF THIS SOFTWARE.

---- Part 2: Networks Associates Technology, Inc copyright notice (BSD) ----

Copyright (c) 2001-2003, Networks Associates Technology, Inc

All rights reserved.

Redistribution and use in source and binary forms, with or without modification, are permitted provided that the following conditions are met:

- * Redistributions of source code must retain the above copyright notice, this list of conditions and the following disclaimer.
- * Redistributions in binary form must reproduce the above copyright notice, this list of conditions and the following disclaimer in the documentation and/or other materials provided with the distribution.
- * Neither the name of the Networks Associates Technology, Inc nor the names of its contributors may be used to endorse or promote products derived from this software without specific prior written permission.

THIS SOFTWARE IS PROVIDED BY THE COPYRIGHT HOLDERS AND CONTRIBUTORS ``AS IS" AND ANY EXPRESS OR IMPLIED WARRANTIES, INCLUDING, BUT NOT LIMITED TO, THE IMPLIED WARRANTIES OF MERCHANTABILITY AND FITNESS FOR A PARTICULAR PURPOSE ARE DISCLAIMED. IN NO EVENT SHALL THE COPYRIGHT HOLDERS OR CONTRIBUTORS BE LIABLE FOR ANY DIRECT, INDIRECT, INCIDENTAL, SPECIAL, EXEMPLARY, OR CONSEQUENTIAL DAMAGES (INCLUDING, BUT NOT LIMITED TO, PROCUREMENT OF SUBSTITUTE GOODS OR SERVICES; LOSS OF USE, DATA, OR PROFITS; OR BUSINESS INTERRUPTION) HOWEVER CAUSED AND ON ANY THEORY OF LIABILITY, WHETHER IN CONTRACT, STRICT LIABILITY, OR TORT (INCLUDING NEGLIGENCE OR OTHERWISE) ARISING IN ANY WAY OUT OF THE USE OF THIS SOFTWARE, EVEN IF ADVISED OF THE POSSIBILITY OF SUCH DAMAGE.

---- Part 3: Cambridge Broadband Ltd. copyright notice (BSD) ----

Portions of this code are copyright (c) 2001-2003, Cambridge Broadband Ltd.

All rights reserved.

Redistribution and use in source and binary forms, with or without modification, are permitted provided that the following conditions are met:

- * Redistributions of source code must retain the above copyright notice, this list of conditions and the following disclaimer.
- * Redistributions in binary form must reproduce the above copyright notice, this list of conditions and the following disclaimer in the documentation and/or other materials provided with the distribution.
- * The name of Cambridge Broadband Ltd. may not be used to endorse or promote products derived from this software without specific prior written permission.

THIS SOFTWARE IS PROVIDED BY THE COPYRIGHT HOLDER ``AS IS" AND ANY EXPRESS OR IMPLIED WARRANTIES, INCLUDING, BUT NOT LIMITED TO, THE IMPLIED WARRANTIES OF MERCHANTABILITY AND FITNESS FOR A PARTICULAR PURPOSE ARE DISCLAIMED. IN NO EVENT SHALL THE COPYRIGHT HOLDER BE LIABLE FOR ANY DIRECT, INDIRECT, INCIDENTAL, SPECIAL, EXEMPLARY, OR CONSEQUENTIAL DAMAGES (INCLUDING, BUT NOT LIMITED TO, PROCUREMENT OF SUBSTITUTE GOODS OR SERVICES; LOSS OF USE, DATA, OR PROFITS; OR BUSINESS INTERRUPTION) HOWEVER CAUSED AND ON ANY THEORY OF LIABILITY, WHETHER IN CONTRACT, STRICT LIABILITY, OR TORT (INCLUDING NEGLIGENCE OR OTHERWISE) ARISING IN ANY WAY OUT OF THE USE OF THIS SOFTWARE, EVEN IF ADVISED OF THE POSSIBILITY OF SUCH DAMAGE.

---- Part 4: Sun Microsystems, Inc. copyright notice (BSD) ----

Copyright c 2003 Sun Microsystems, Inc., 4150 Network Circle, Santa Clara, California 95054, U.S.A. All rights reserved.

Use is subject to license terms below.

This distribution may include materials developed by third parties.

Sun, Sun Microsystems, the Sun logo and Solaris are trademarks or registered trademarks of Sun Microsystems, Inc. in the U.S. and other countries.

Redistribution and use in source and binary forms, with or without modification, are permitted provided that the following conditions are met:

* Redistributions of source code must retain the above copyright notice, this list of conditions and the following disclaimer.

* Redistributions in binary form must reproduce the above copyright notice, this list of conditions and the following disclaimer in the documentation and/or other materials provided with the distribution.

* Neither the name of the Sun Microsystems, Inc. nor the names of its contributors may be used to endorse or promote products derived from this software without specific prior written permission.

THIS SOFTWARE IS PROVIDED BY THE COPYRIGHT HOLDERS AND CONTRIBUTORS ``AS IS'' AND ANY EXPRESS OR IMPLIED WARRANTIES, INCLUDING, BUT NOT LIMITED TO, THE IMPLIED WARRANTIES OF MERCHANTABILITY AND FITNESS FOR A PARTICULAR PURPOSE ARE DISCLAIMED. IN NO EVENT SHALL THE COPYRIGHT HOLDERS OR CONTRIBUTORS BE LIABLE FOR ANY DIRECT, INDIRECT, INCIDENTAL, SPECIAL, EXEMPLARY, OR CONSEQUENTIAL DAMAGES (INCLUDING, BUT NOT LIMITED TO, PROCUREMENT OF SUBSTITUTE GOODS OR SERVICES; LOSS OF USE, DATA, OR PROFITS; OR BUSINESS INTERRUPTION) HOWEVER CAUSED AND ON ANY THEORY OF LIABILITY, WHETHER IN CONTRACT, STRICT LIABILITY, OR TORT (INCLUDING NEGLIGENCE OR OTHERWISE) ARISING IN ANY WAY OUT OF THE USE OF THIS SOFTWARE, EVEN IF ADVISED OF THE POSSIBILITY OF SUCH DAMAGE.

---- Part 5: Sparta, Inc copyright notice (BSD) ----

Copyright (c) 2003-2009, Sparta, Inc

All rights reserved.

Redistribution and use in source and binary forms, with or without modification, are permitted provided that the following conditions are met:

* Redistributions of source code must retain the above copyright notice, this list of conditions and the following disclaimer.

* Redistributions in binary form must reproduce the above copyright notice, this list of conditions and the following disclaimer in the documentation and/or other materials provided with the distribution.

* Neither the name of Sparta, Inc nor the names of its contributors may be used to endorse or promote products derived from this software without specific prior written permission.

THIS SOFTWARE IS PROVIDED BY THE COPYRIGHT HOLDERS AND CONTRIBUTORS ``AS IS'' AND ANY EXPRESS OR IMPLIED WARRANTIES, INCLUDING, BUT NOT LIMITED TO, THE IMPLIED WARRANTIES OF MERCHANTABILITY AND FITNESS FOR A PARTICULAR PURPOSE ARE DISCLAIMED. IN NO EVENT SHALL THE COPYRIGHT HOLDERS OR CONTRIBUTORS BE LIABLE FOR ANY DIRECT, INDIRECT, INCIDENTAL, SPECIAL, EXEMPLARY, OR CONSEQUENTIAL DAMAGES (INCLUDING, BUT NOT LIMITED TO, PROCUREMENT OF SUBSTITUTE GOODS OR SERVICES; LOSS OF USE, DATA, OR PROFITS; OR BUSINESS INTERRUPTION) HOWEVER CAUSED AND ON ANY THEORY OF LIABILITY, WHETHER IN CONTRACT, STRICT LIABILITY, OR TORT (INCLUDING NEGLIGENCE OR OTHERWISE) ARISING IN ANY WAY OUT OF THE USE OF THIS SOFTWARE, EVEN IF ADVISED OF THE POSSIBILITY OF SUCH DAMAGE.

---- Part 6: Cisco/BUPTNIC copyright notice (BSD) ----

Copyright (c) 2004, Cisco, Inc and Information Network Center of Beijing University of Posts and Telecommunications.

All rights reserved.

Redistribution and use in source and binary forms, with or without modification, are permitted provided that the following conditions are met:

- * Redistributions of source code must retain the above copyright notice, this list of conditions and the following disclaimer.
- * Redistributions in binary form must reproduce the above copyright notice, this list of conditions and the following disclaimer in the documentation and/or other materials provided with the distribution.
- * Neither the name of Cisco, Inc, Beijing University of Posts and Telecommunications, nor the names of their contributors may be used to endorse or promote products derived from this software without specific prior written permission.

THIS SOFTWARE IS PROVIDED BY THE COPYRIGHT HOLDERS AND CONTRIBUTORS ``AS IS" AND ANY EXPRESS OR IMPLIED WARRANTIES, INCLUDING, BUT NOT LIMITED TO, THE IMPLIED WARRANTIES OF MERCHANTABILITY AND FITNESS FOR A PARTICULAR PURPOSE ARE DISCLAIMED. IN NO EVENT SHALL THE COPYRIGHT HOLDERS OR CONTRIBUTORS BE LIABLE FOR ANY DIRECT, INDIRECT, INCIDENTAL, SPECIAL, EXEMPLARY, OR CONSEQUENTIAL DAMAGES (INCLUDING, BUT NOT LIMITED TO, PROCUREMENT OF SUBSTITUTE GOODS OR SERVICES; LOSS OF USE, DATA, OR PROFITS; OR BUSINESS INTERRUPTION) HOWEVER CAUSED AND ON ANY THEORY OF LIABILITY, WHETHER IN CONTRACT, STRICT LIABILITY, OR TORT (INCLUDING NEGLIGENCE OR OTHERWISE) ARISING IN ANY WAY OUT OF THE USE OF THIS SOFTWARE, EVEN IF ADVISED OF THE POSSIBILITY OF SUCH DAMAGE.

---- Part 7: Fabasoft R&D Software GmbH & Co KG copyright notice (BSD) ----

Copyright (c) Fabasoft R&D Software GmbH & Co KG, 2003 oss@fabasoft.com

Author: Bernhard Penz

Redistribution and use in source and binary forms, with or without modification, are permitted provided that the following conditions are met:

- * Redistributions of source code must retain the above copyright notice, this list of conditions and the following disclaimer.
- * Redistributions in binary form must reproduce the above copyright notice, this list of conditions and the following disclaimer in the documentation and/or other materials provided with the distribution.
- * The name of Fabasoft R&D Software GmbH & Co KG or any of its subsidiaries, brand or product names may not be used to endorse or promote products derived from this software without specific prior written permission.

THIS SOFTWARE IS PROVIDED BY THE COPYRIGHT HOLDER ``AS IS" AND ANY EXPRESS OR IMPLIED WARRANTIES, INCLUDING, BUT NOT LIMITED TO, THE IMPLIED WARRANTIES OF MERCHANTABILITY AND FITNESS FOR A PARTICULAR PURPOSE ARE DISCLAIMED. IN NO EVENT SHALL THE COPYRIGHT HOLDER BE LIABLE FOR ANY DIRECT, INDIRECT, INCIDENTAL, SPECIAL, EXEMPLARY, OR CONSEQUENTIAL DAMAGES (INCLUDING, BUT NOT LIMITED TO, PROCUREMENT OF SUBSTITUTE GOODS OR SERVICES; LOSS OF USE, DATA, OR PROFITS; OR BUSINESS INTERRUPTION) HOWEVER CAUSED AND ON ANY THEORY OF LIABILITY, WHETHER IN CONTRACT, STRICT LIABILITY, OR TORT (INCLUDING NEGLIGENCE OR OTHERWISE) ARISING IN ANY WAY OUT OF THE USE OF THIS SOFTWARE, EVEN IF ADVISED OF THE POSSIBILITY OF SUCH DAMAGE.

LEADTOOLS

Copyright (C) 1991-2009 LEAD Technologies, Inc.

CMap Resources

Copyright 1990-2009 Adobe Systems Incorporated.
All rights reserved.

Copyright 1990-2010 Adobe Systems Incorporated.
All rights reserved.

Redistribution and use in source and binary forms, with or without modification, are permitted provided that the following conditions are met:

Redistributions of source code must retain the above copyright notice, this list of conditions and the following disclaimer.

Redistributions in binary form must reproduce the above copyright notice, this list of conditions and the following disclaimer in the documentation and/or other materials provided with the distribution.

Neither the name of Adobe Systems Incorporated nor the names of its contributors may be used to endorse or promote products derived from this software without specific prior written permission.

THIS SOFTWARE IS PROVIDED BY THE COPYRIGHT HOLDERS AND CONTRIBUTORS "AS IS" AND ANY EXPRESS OR IMPLIED WARRANTIES, INCLUDING, BUT NOT LIMITED TO, THE IMPLIED WARRANTIES OF MERCHANTABILITY AND FITNESS FOR A PARTICULAR PURPOSE ARE DISCLAIMED. IN NO EVENT SHALL THE COPYRIGHT HOLDER OR CONTRIBUTORS BE LIABLE FOR ANY DIRECT, INDIRECT, INCIDENTAL, SPECIAL, EXEMPLARY, OR CONSEQUENTIAL DAMAGES (INCLUDING, BUT NOT LIMITED TO, PROCUREMENT OF SUBSTITUTE GOODS OR SERVICES; LOSS OF USE, DATA, OR PROFITS; OR BUSINESS INTERRUPTION) HOWEVER CAUSED AND ON ANY THEORY OF LIABILITY, WHETHER IN CONTRACT, STRICT LIABILITY, OR TORT (INCLUDING NEGLIGENCE OR OTHERWISE) ARISING IN ANY WAY OUT OF THE USE OF THIS SOFTWARE, EVEN IF ADVISED OF THE POSSIBILITY OF SUCH DAMAGE.

MIT License

Copyright (c) 1998, 1999, 2000 Thai Open Source Software Center Ltd

Permission is hereby granted, free of charge, to any person obtaining a copy of this software and associated documentation files (the "Software"), to deal in the Software without restriction, including without limitation the rights to use, copy, modify, merge, publish, distribute, sublicense, and/or sell copies of the Software, and to permit persons to whom the Software is furnished to do so, subject to the following conditions:

The above copyright notice and this permission notice shall be included in all copies or substantial portions of the Software.

THE SOFTWARE IS PROVIDED "AS IS", WITHOUT WARRANTY OF ANY KIND, EXPRESS OR IMPLIED, INCLUDING BUT NOT LIMITED TO THE WARRANTIES OF MERCHANTABILITY, FITNESS FOR A PARTICULAR PURPOSE AND NONINFRINGEMENT. IN NO EVENT SHALL THE AUTHORS OR COPYRIGHT HOLDERS BE LIABLE FOR ANY CLAIM, DAMAGES OR OTHER LIABILITY, WHETHER IN AN ACTION OF CONTRACT, TORT OR OTHERWISE, ARISING FROM, OUT OF OR IN CONNECTION WITH THE SOFTWARE OR THE USE OR OTHER DEALINGS IN THE SOFTWARE.

以下仅适用于支持 Wi-Fi 的产品。

(c) 2009-2013 by Jeff Mott. All rights reserved.

Redistribution and use in source and binary forms, with or without modification, are permitted provided that the following conditions are met:

- * Redistributions of source code must retain the above copyright notice, this list of conditions, and the following disclaimer.
- * Redistributions in binary form must reproduce the above copyright notice, this list of conditions, and the following disclaimer in the documentation or other materials provided with the distribution.
- * Neither the name CryptoJS nor the names of its contributors may be used to endorse or promote products derived from this software without specific prior written permission.

THIS SOFTWARE IS PROVIDED BY THE COPYRIGHT HOLDERS AND CONTRIBUTORS "AS IS," AND ANY EXPRESS OR IMPLIED WARRANTIES, INCLUDING, BUT NOT LIMITED TO, THE IMPLIED WARRANTIES OF MERCHANTABILITY AND FITNESS FOR A PARTICULAR PURPOSE, ARE DISCLAIMED. IN NO EVENT SHALL THE COPYRIGHT HOLDER OR CONTRIBUTORS BE LIABLE FOR ANY DIRECT, INDIRECT, INCIDENTAL, SPECIAL, EXEMPLARY, OR CONSEQUENTIAL DAMAGES (INCLUDING, BUT NOT LIMITED TO, PROCUREMENT OF SUBSTITUTE GOODS OR SERVICES; LOSS OF USE, DATA, OR PROFITS; OR BUSINESS INTERRUPTION) HOWEVER CAUSED AND ON ANY THEORY OF LIABILITY, WHETHER IN CONTRACT, STRICT LIABILITY, OR TORT (INCLUDING NEGLIGENCE OR OTHERWISE) ARISING IN ANY WAY OUT OF THE USE OF THIS SOFTWARE, EVEN IF ADVISED OF THE POSSIBILITY OF SUCH DAMAGE.

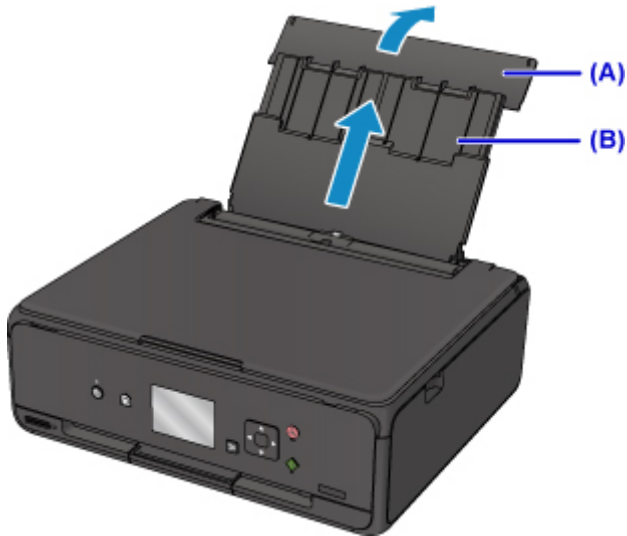
基本操作

- ▶ 从计算机打印照片
- ▶ 复印
- ▶ 打印照片

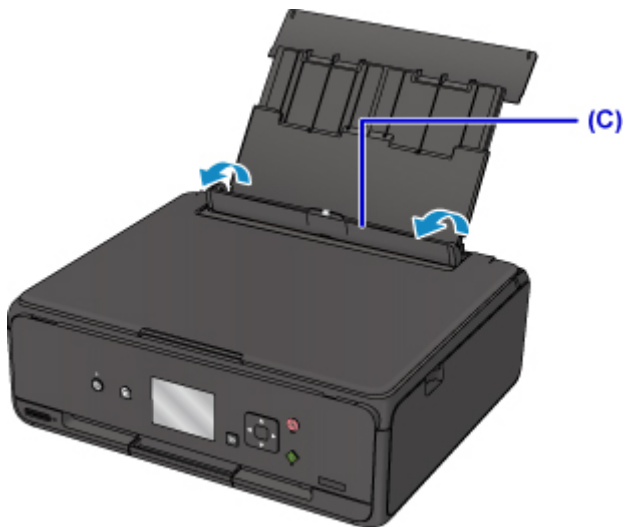
从计算机打印照片

本节描述如何使用 My Image Garden 打印照片。

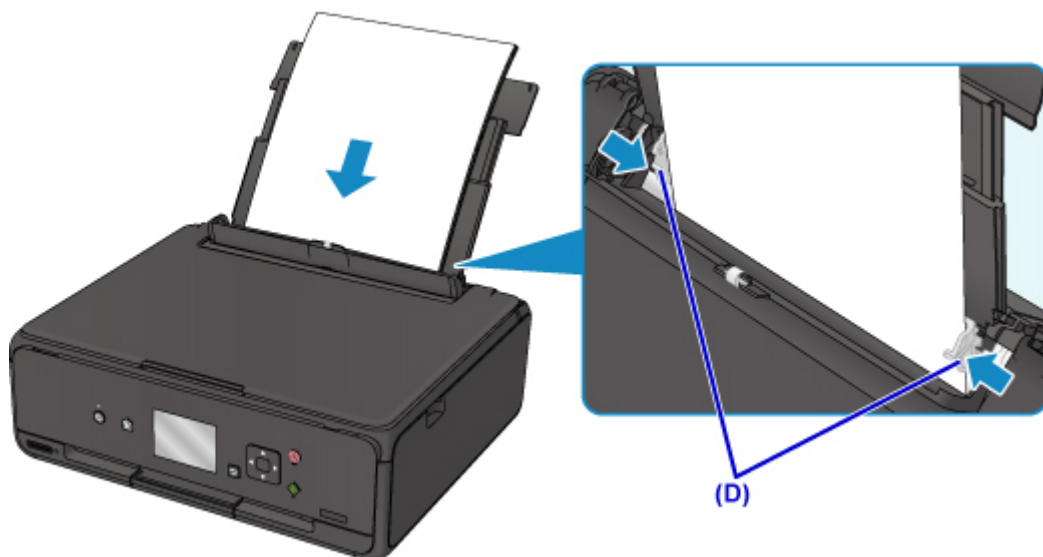
1. 打开后端托盘盖(A)，然后向上拉出靠纸架(B)。



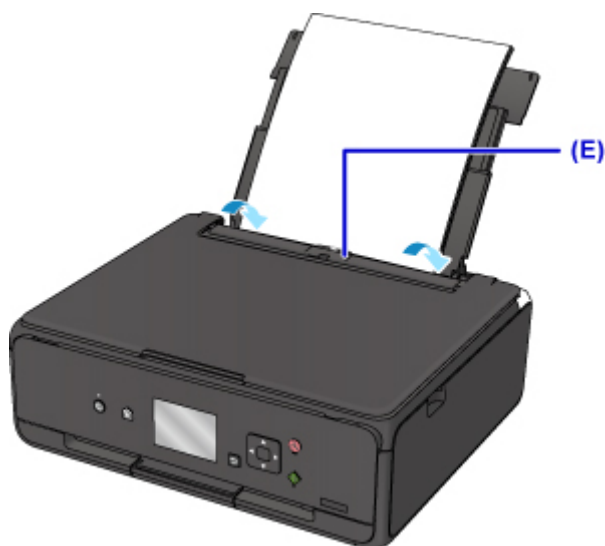
2. 打开进纸插槽盖板(C)。



3. 将打印面向上垂直装入纸张。
4. 使纸张导片(D)适合纸张宽度。

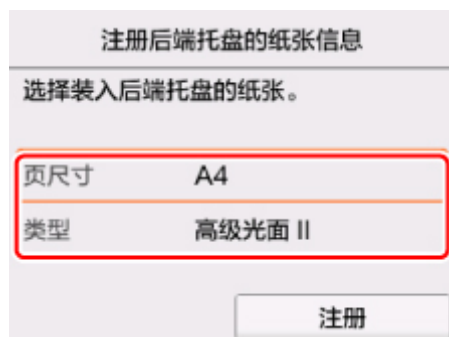


5. 轻轻地关闭进纸插槽盖板(E)。



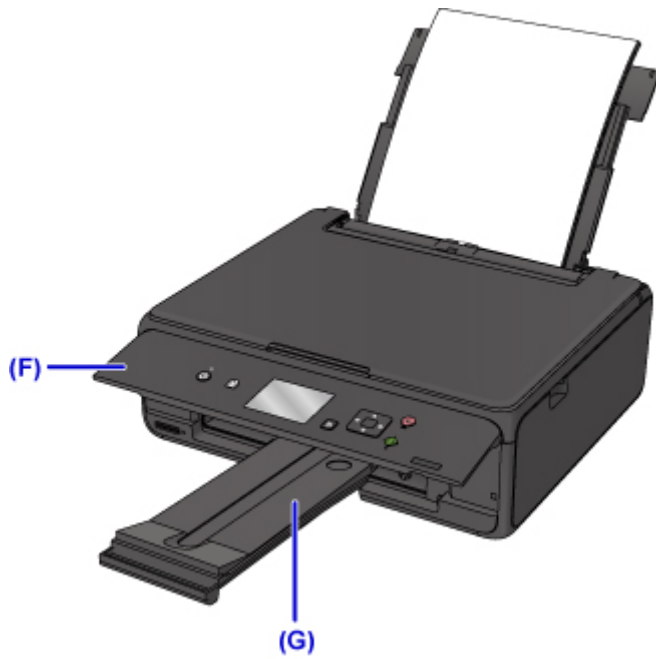
关闭进纸插槽盖板后，LCD 屏幕上会显示后端托盘的纸张信息注册屏幕。

6. 在**页尺寸**和**类型**中选择装入后端托盘的纸张尺寸和类型，然后选择**注册**。



7. 打开操作面板(F)，然后拉出出纸托盘(G)。

务必在打印前打开操作面板。如果操作面板合上，则打印机不会开始打印。



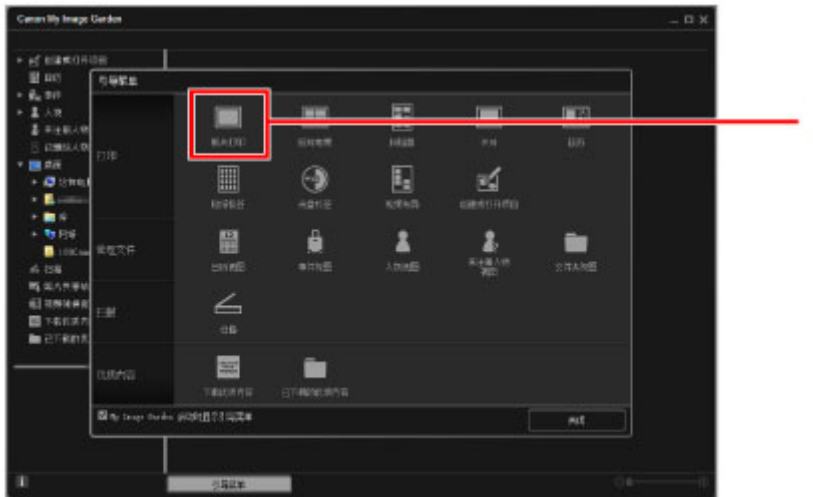
8. 单击 Quick Menu 中的 My Image Garden 图标(H)。
显示引导菜单屏幕。



»» 注释

- 根据地区、注册的打印机/扫描仪和安装的应用程序的不同，显示的图标数目和类型会有所不同。

9. 单击照片打印图标(I)。



10. 单击包含要打印照片的文件夹(J)。

11. 单击要打印的照片(K)。

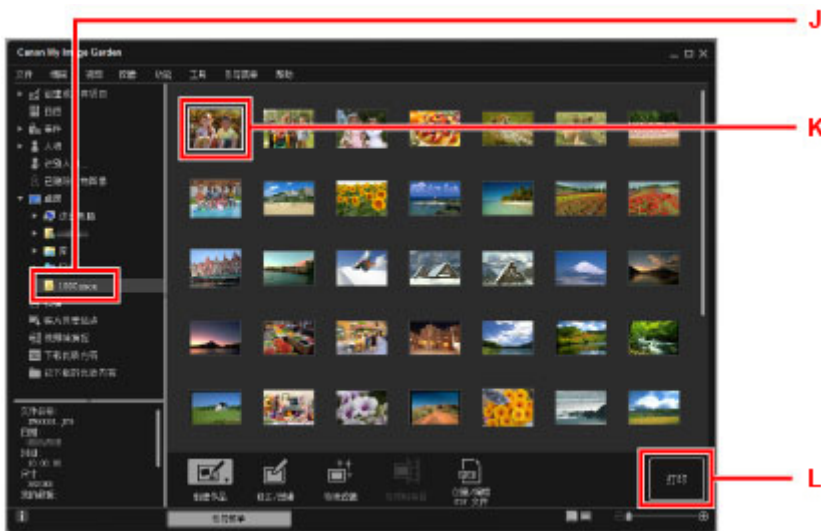
对于 Windows:

要一次选择两个或更多的照片，在按下 Ctrl 键时单击照片。

对于 Mac OS:

要一次选择两个或更多的照片，在按下命令键时单击照片。

12. 单击打印(L)。



13. 指定份数、打印机名称、介质类型等(M)。

14. 单击打印(N)。



对于 Mac OS:

出现确认信息时, 单击**确定**, 然后单击**打印**。

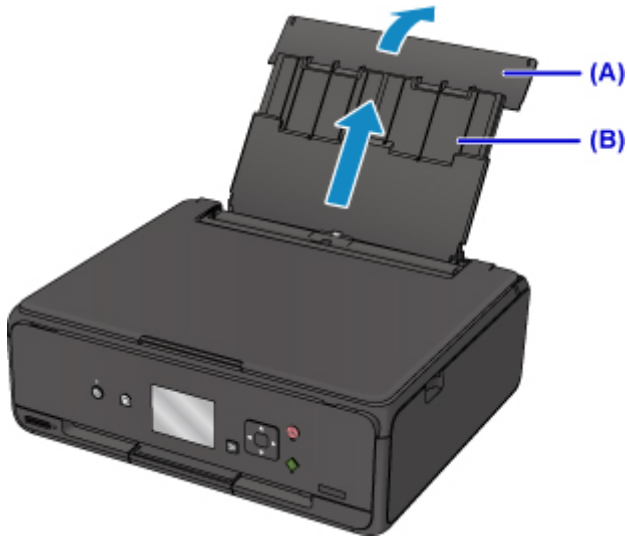
注釋

- My Image Garden 可以让您在计算机上以多种方式使用图像, 如使用数码相机拍摄的照片。
 - 对于 Windows:
 - My Image Garden 指南
 - 对于 Mac OS:
 - My Image Garden 指南

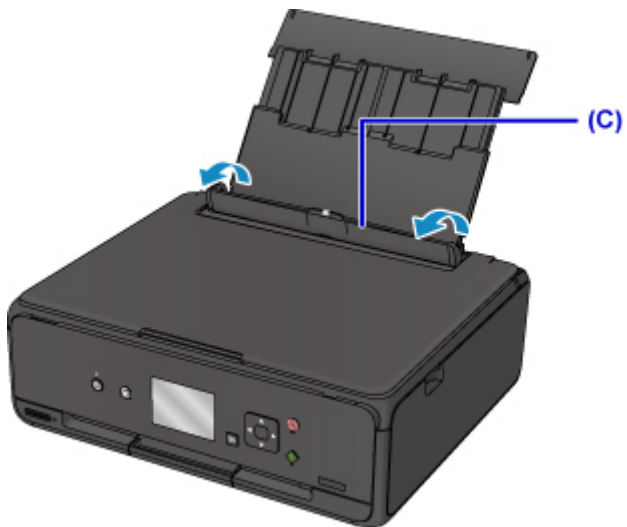
复印

本节描述如何放置原稿并将其复印到普通纸。

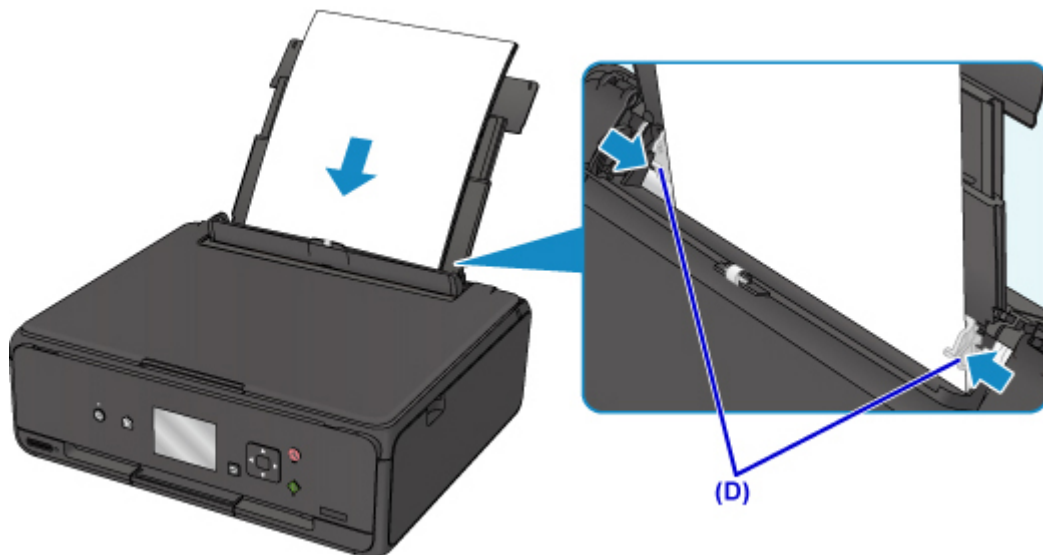
1. 打开后端托盘盖(A)，然后向上拉出靠纸架(B)。



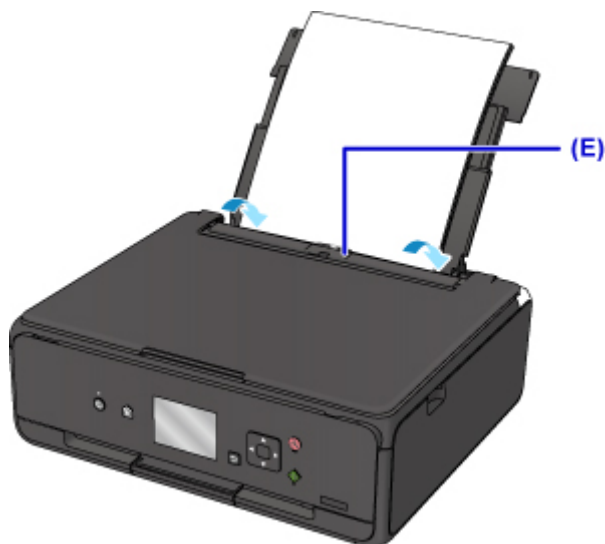
2. 打开进纸插槽盖板(C)。



3. 将打印面向上垂直装入纸张。
4. 使纸张导片(D)适合纸张宽度。

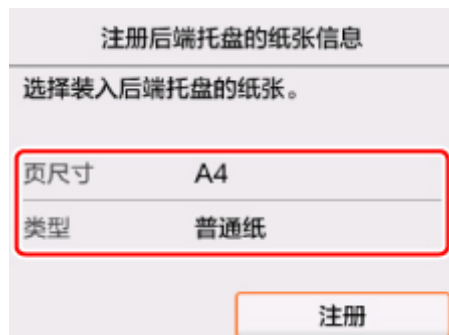


5. 轻轻地关闭进纸插槽盖板(E)。



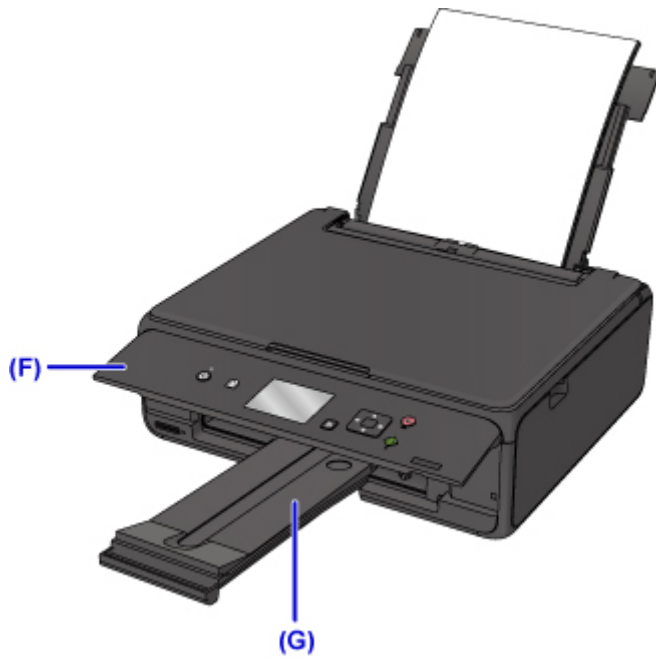
关闭进纸插槽盖板后，LCD 屏幕上会显示后端托盘的纸张信息注册屏幕。

6. 在**页尺寸**和**类型**中选择装入后端托盘的纸张尺寸和类型，然后选择**注册**。



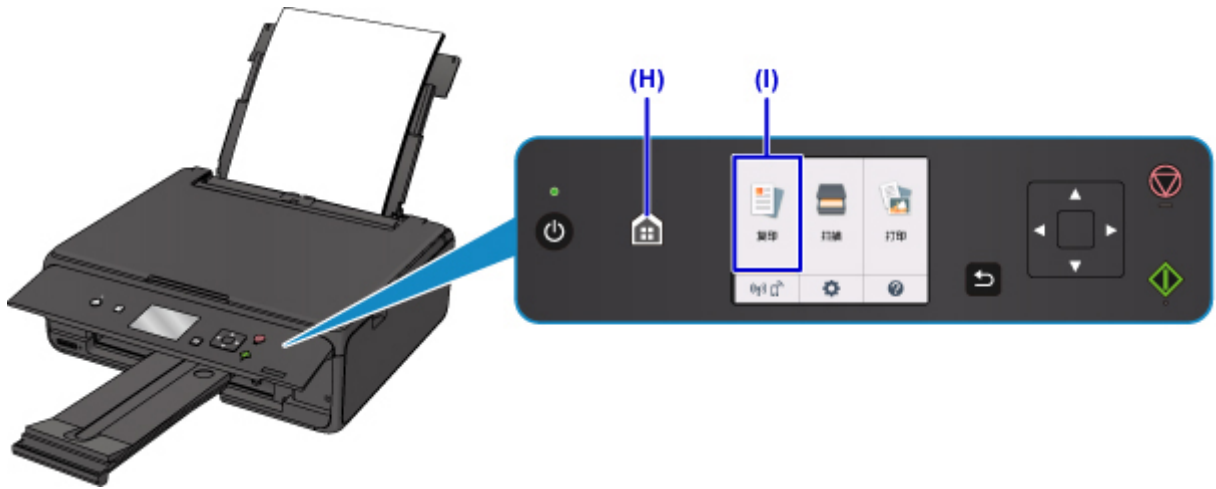
7. 打开操作面板(F)，然后拉出出纸托盘(G)。

务必在打印前打开操作面板。如果操作面板合上，则打印机不会开始打印。



8. 按主页按钮(H)。

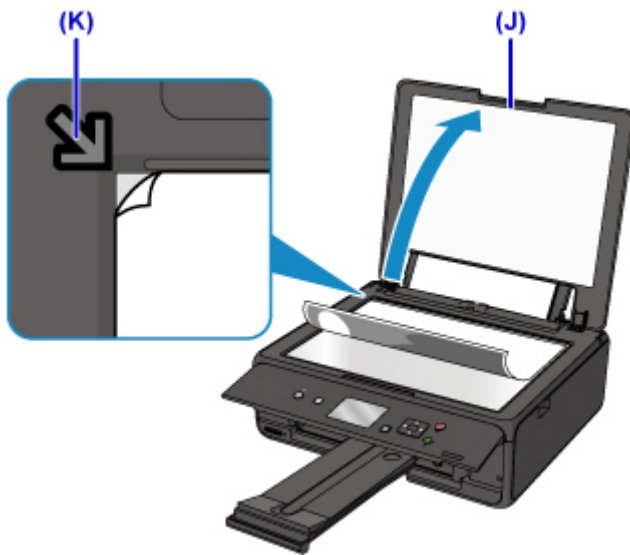
9. 选择  复印(I)。



10. 选择  标准复印。

11. 打开文档盖板(J)。

12. 将要复印的一面向下放置原稿并使其与对齐标记(K)对齐。



13. 关闭文档盖板。

14. 确认纸张设置，然后按启动按钮(L)。



重要事项

- 复印完成前，请勿打开文档盖板。

注释

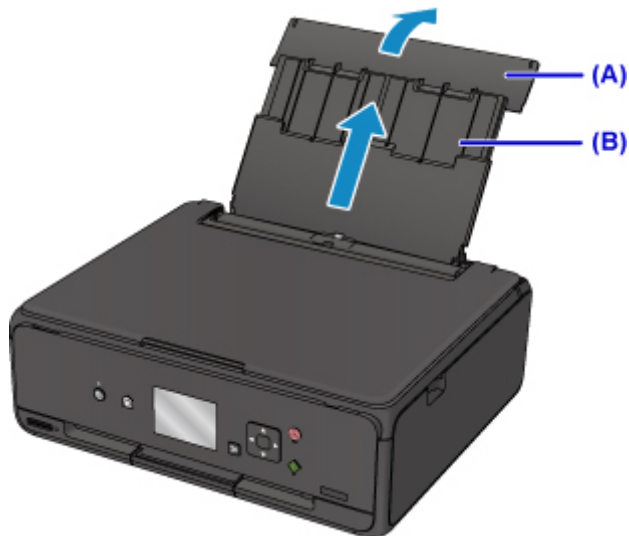
- 打印机配备了許多其他便捷的复印功能。

■ 复印

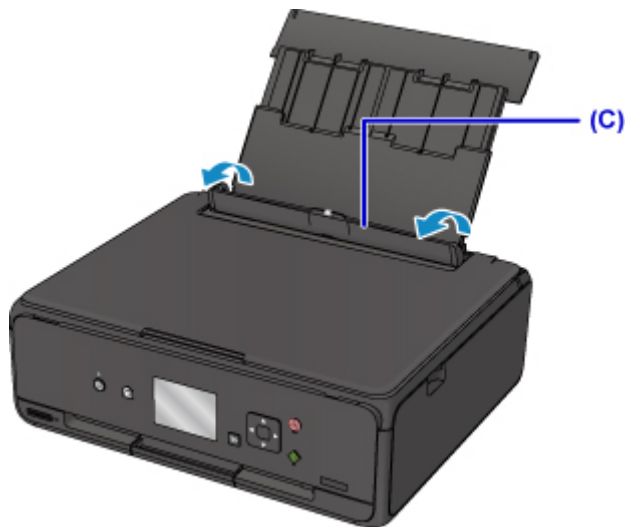
打印照片

本节描述如何打印存储卡上的照片。

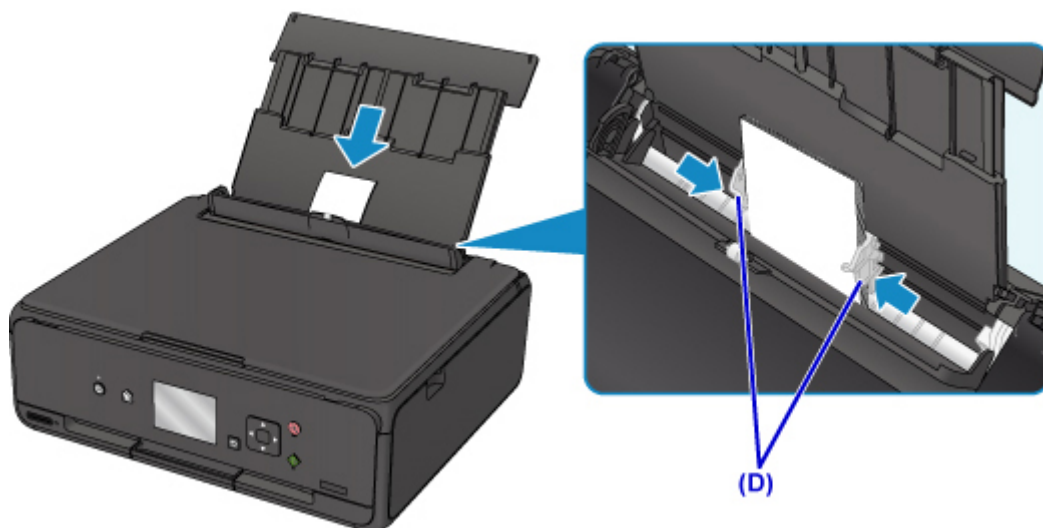
1. 打开后端托盘盖(A)，然后向上拉出靠纸架(B)。



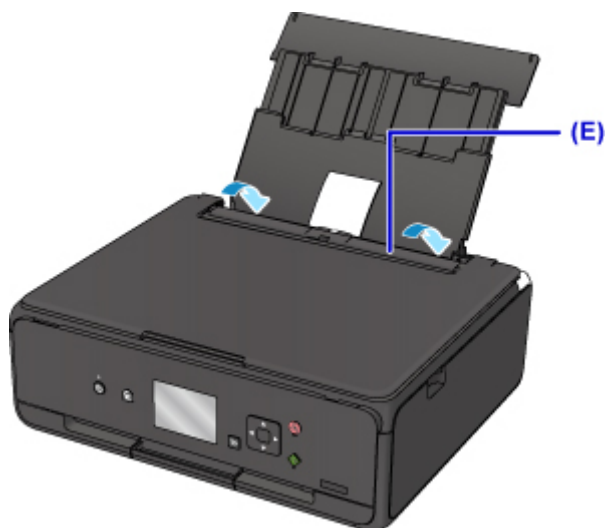
2. 打开进纸插槽盖板(C)。



3. 将打印面向上垂直装入纸张。
4. 使纸张导片(D)适合纸张宽度。

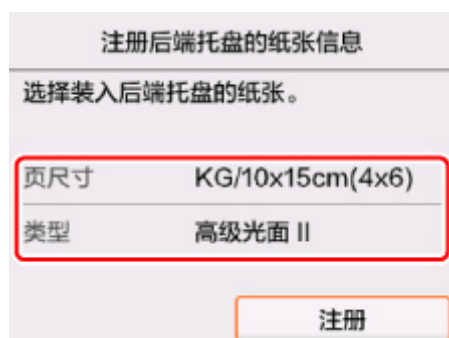


5. 轻轻地关闭进纸插槽盖板(E)。



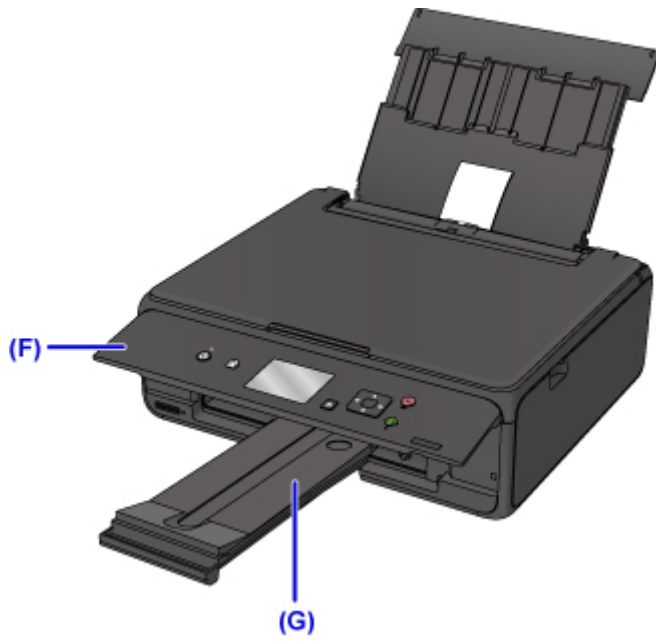
关闭进纸插槽盖板后，LCD 屏幕上会显示后端托盘的纸张信息注册屏幕。

6. 在**页尺寸**和**类型**中选择装入后端托盘的纸张尺寸和类型，然后选择**注册**。



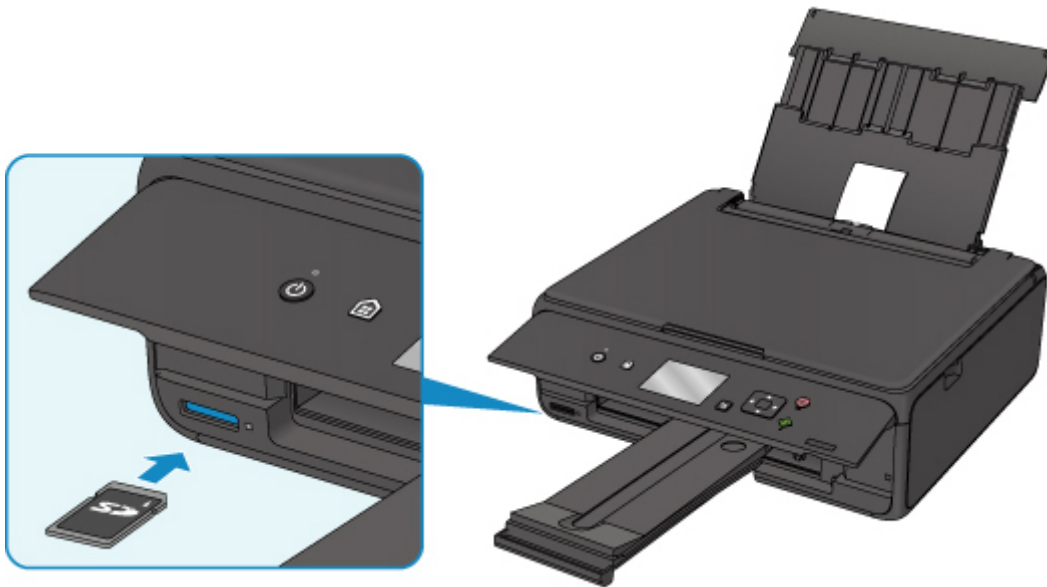
7. 打开操作面板(F)，然后拉出出纸托盘(G)。

务必在打印前打开操作面板。如果操作面板合上，则打印机不会开始打印。



8. 插入存储卡。

* 下图以 SD/SDHC 存储卡为例。



▶▶▶ 注释

- 有关插入除 SD/SDHC 存储卡以外的其他存储卡的详细资料，请参见以下内容。

■ [插入存储卡](#)

9. 使用 ◀▶ 按钮(H)选择照片。

10. 确认纸张设置，然后按启动按钮(I)。



重要事项

- 打印过程中请勿取出存储卡。存储卡上的数据可能会被损坏。

注释

- 本打印机配备了許多其他便捷的照片打印功能。

■ [打印照片数据](#)

使用纸张、原稿、墨水盒、存储卡等

- ▶ 装入纸张
- ▶ 放置原稿
- ▶ 插入存储卡
- ▶ 更换墨水盒

装入纸张

- ▶ 装入普通纸/照片纸
- ▶ 装入信封

装入普通纸/照片纸

可以装入普通纸或照片纸。

重要事项

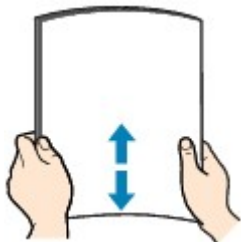
- 如果将普通纸剪切为小尺寸进行试打印，如 10 x 15 厘米(4" x 6")或 13 x 18 厘米(5" x 7")，可能会造成卡纸。

注释

- 建议使用 Canon 原装照片纸打印照片。
有关 Canon 原装纸张的详细资料，请参见[支持的介质类型](#)。
- 可以使用普通的复印纸或 Canon Red Label Superior WOP111/Canon Océ Office Colour Paper SAT213。
有关本打印机可以使用的页尺寸和纸张重量，请参见[支持的介质类型](#)。

1. 准备纸张。

对齐纸张的边缘。如果纸张卷曲，将其平整。

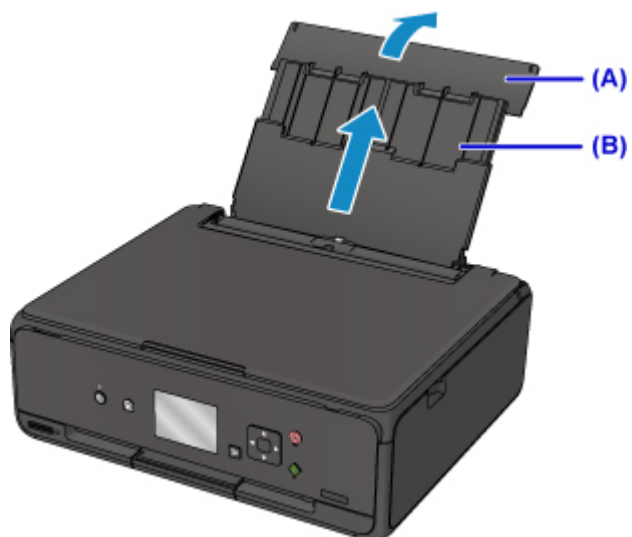


注释

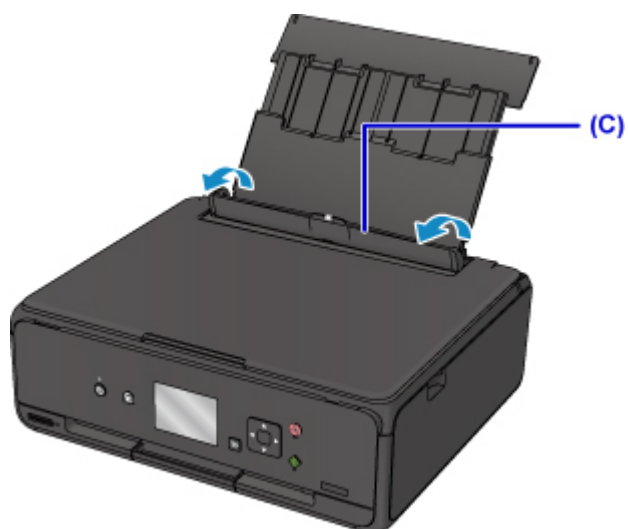
- 装入前请先将纸张的边缘完全对齐。装入纸张时没有对齐纸张边缘可能会造成卡纸。
- 如果纸张卷曲，请持着卷曲的角并轻轻地向反方向弯曲纸张，直至纸张完全平整。
有关如何平整卷曲纸张的详细资料，请参见“纸张是否卷曲？”。

2. 装入纸张。

1. 打开后端托盘盖(A)，然后向上拉出靠纸架(B)。



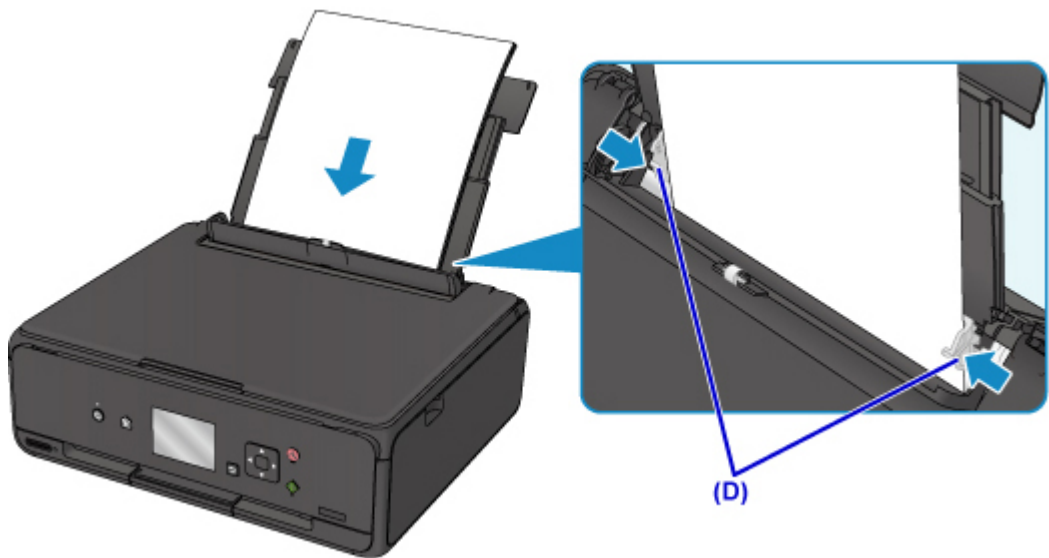
2. 打开进纸插槽盖板(C)。



3. 拉开纸张导片(D)，然后将纸张装入后端托盘的中央，打印面向上。

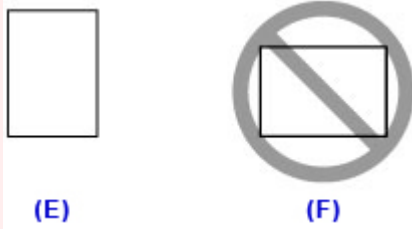
4. 移动纸张导片使其与纸叠两侧对齐。

请勿过于用力移动纸张导片以紧靠纸张。否则，纸张可能无法正确地送入。



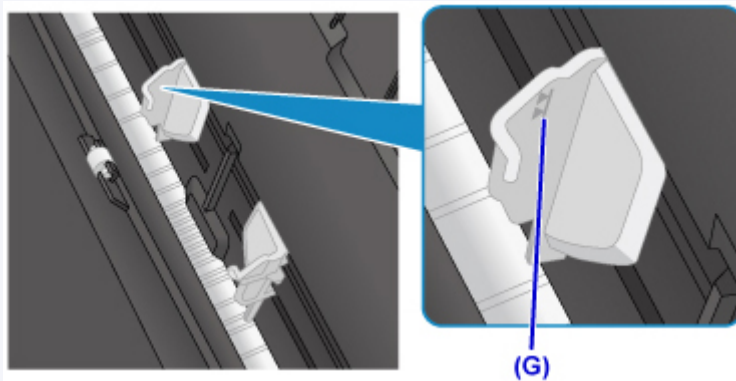
重要事项

- 请务必纵向(E)装入纸张。横向(F)装入纸张会造成卡纸。



注释

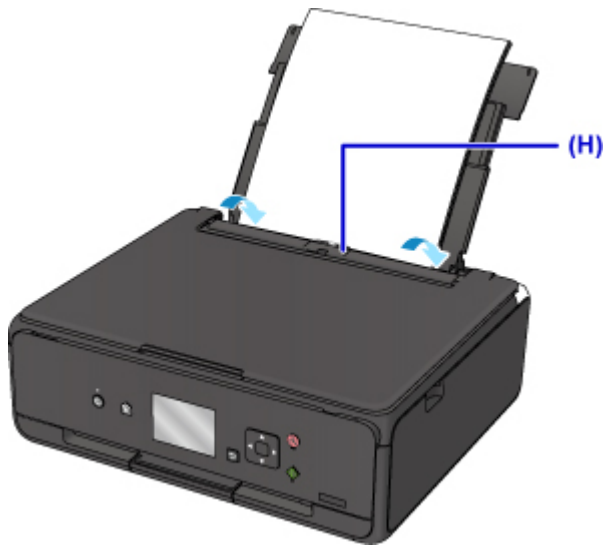
- 请勿使装入的纸张超出装入限量标记(G)。



- 轻轻地关闭进纸插槽盖板(H)。

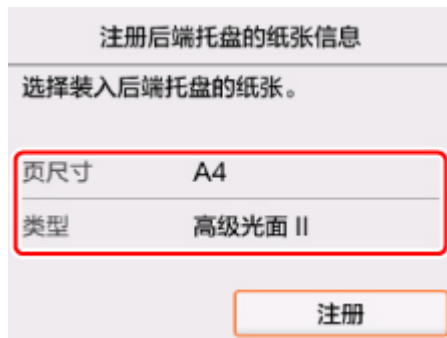
重要事项

- 如果进纸插槽盖板打开，纸张将无法送入。务必关闭进纸插槽盖板。



关闭进纸插槽盖板后，LCD 屏幕上会显示后端托盘的纸张信息注册屏幕。

- 在**页尺寸**和**类型**中选择装入后端托盘的纸张尺寸和类型，然后选择**注册**。



- 打开操作面板(I)，然后拉出出纸托盘(J)。

务必在打印前打开操作面板。如果操作面板合上，则打印机不会开始打印。



»» 注释

- 打印时，在操作面板或打印机驱动程序的打印设置屏幕上选择装入纸张的尺寸和类型。

装入信封

可以在后端托盘中装入信封 DL 和信封 Com 10。

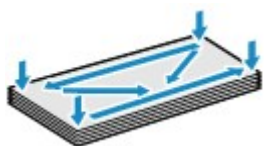
通过正确指定打印机驱动程序中的设置，会根据信封的方向自动旋转并打印地址。

重要事项

- 不支持从操作面板或从兼容 PictBridge(无线 LAN)的设备打印信封。
- 请勿使用以下信封。可能导致打印机内部卡纸或造成打印机故障。
 - 有凹凸花纹或表面经过处理的信封
 - 双盖舌的信封
 - 涂胶盖舌已潮湿并具有粘性的信封

1. 准备信封。

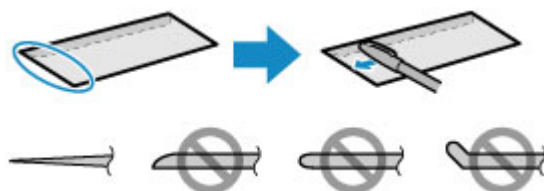
- 按下信封的四个角和边缘以平整信封。



- 如果信封卷曲，请持着对角并轻轻地向反方向弯曲信封。



- 如果信封盖舌的角折叠，请将其平整。
- 请用笔以信封插入方向压平导入边使折痕平整清晰。



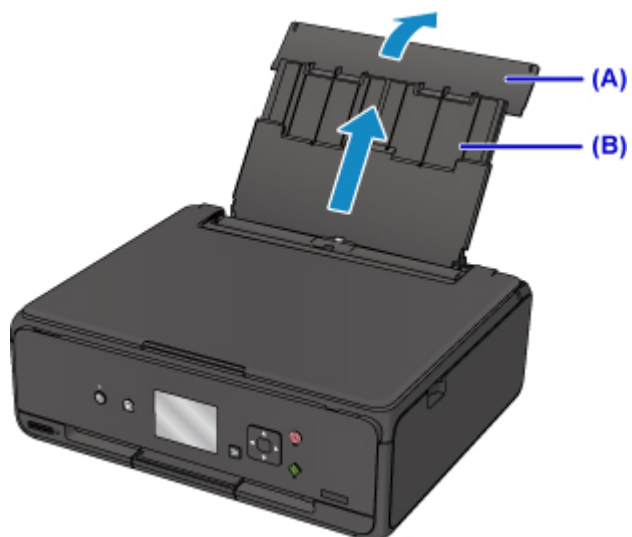
上图为信封导入边的侧视图。

重要事项

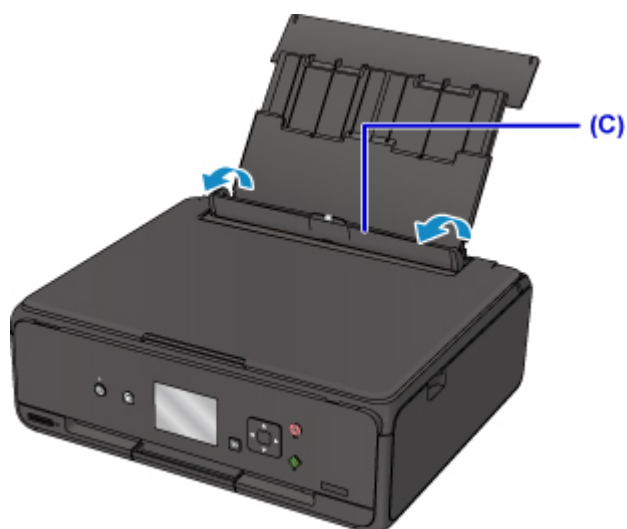
- 如果信封不平整或边缘未对齐，可能会导致信封卡在打印机中。确保卷曲或翘起量不超过 3 毫米 (0.12 英寸)。

2. 装入信封。

1. 打开后端托盘盖(A)，然后向上拉出靠纸架(B)。



2. 打开进纸插槽盖板(C)。



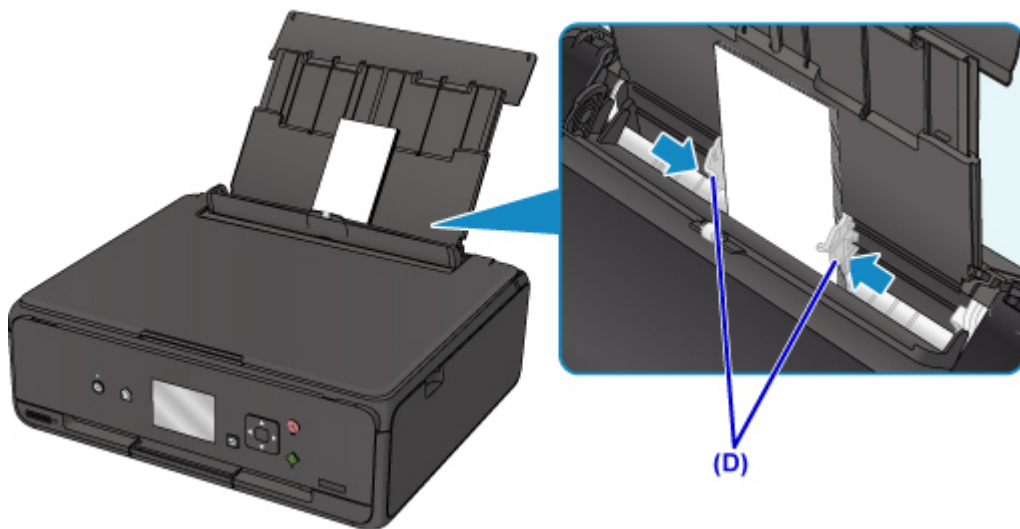
3. 拉开纸张导片，然后将信封装入后端托盘的中央，打印面向上。

折叠信封盖舌并纵向装入信封，使地址的一面向上。

每次最多可以装入 10 个信封。

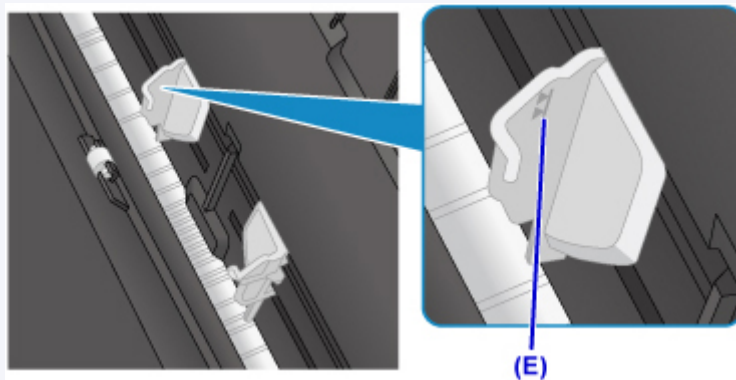
4. 移动纸张导片(D)使其与信封两侧对齐。

请勿过于用力移动纸张导片以紧靠信封。信封可能无法正确送入。



注釋

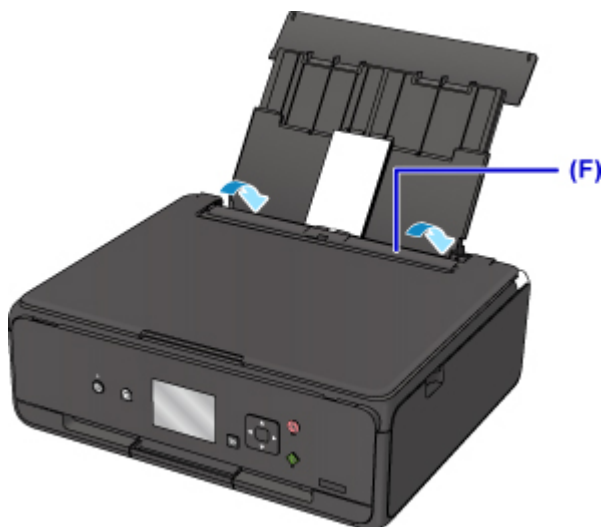
- 请勿使装入的信封超出装入限量标记(E)。



5. 轻轻地关闭进纸插槽盖板(F)。

重要事項

- 如果进纸插槽盖板打开，纸张将无法送入。务必关闭进纸插槽盖板。



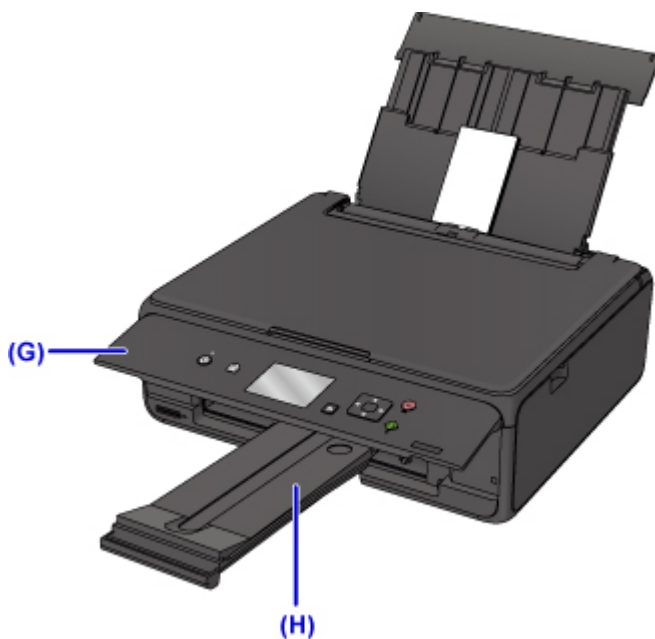
关闭进纸插槽盖板后，LCD 屏幕上会显示后端托盘的纸张信息注册屏幕。

6. 在**页尺寸**和**类型**中选择装入后端托盘的信封尺寸和类型，然后选择**注册**。

注册后端托盘的纸张信息	
选择装入后端托盘的纸张。	
页尺寸	信封 DL
类型	信封
注册	

7. 打开操作面板(G)，然后拉出出纸托盘(H)。

务必在打印前打开操作面板。如果操作面板合上，则打印机不会开始打印。



注 释

- 打印机在送入信封时可能会发出操作噪音。
- 装入信封后，在打印机驱动程序的打印设置屏幕上选择装入信封的尺寸和类型。

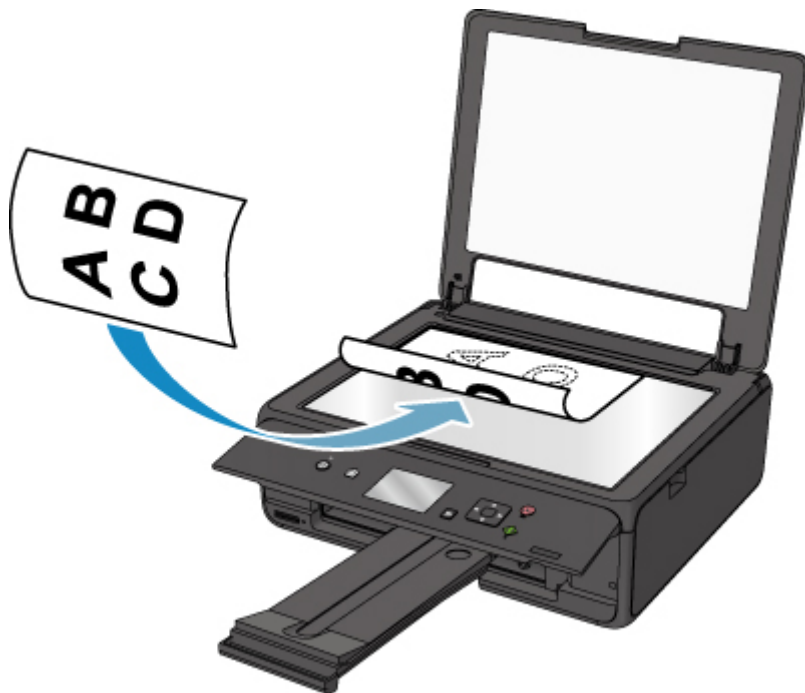
放置原稿

- ▶ 在稿台玻璃上放置原稿
- ▶ 根据用途放置
- ▶ 支持的原稿
- ▶ 如何拆卸/安装文档盖板

在稿台玻璃上放置原稿

1. 打开文档盖板。
2. 在稿台玻璃上放置原稿，将要扫描的一面向下。

■ 根据用途放置



▶▶▶ 重要事项

- 将原稿放置在稿台玻璃上时，务必注意以下事项。
 - 请勿将任何重量达到或超过 2.0 千克(4.4 磅)的物体放置在稿台玻璃上。
 - 请勿使稿台玻璃承受的压力达到或超过 2.0 千克(4.4 磅)，如按压原稿。
- 否则可能造成扫描仪故障或稿台玻璃破裂。

3. 轻轻地关闭文档盖板。



重要事项


- 在稿台玻璃上放置原稿后，请务必在开始复印或扫描之前关闭文档盖板。

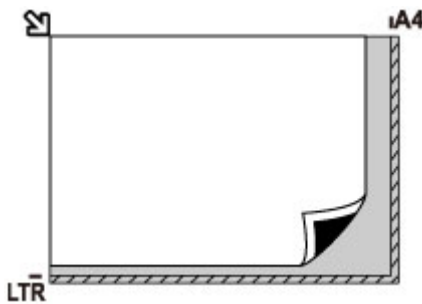
根据用途放置

根据要使用的功能将原稿放置在正确位置。如果未正确放置原稿，可能无法正确扫描。

放置要与对齐标记对齐的原稿

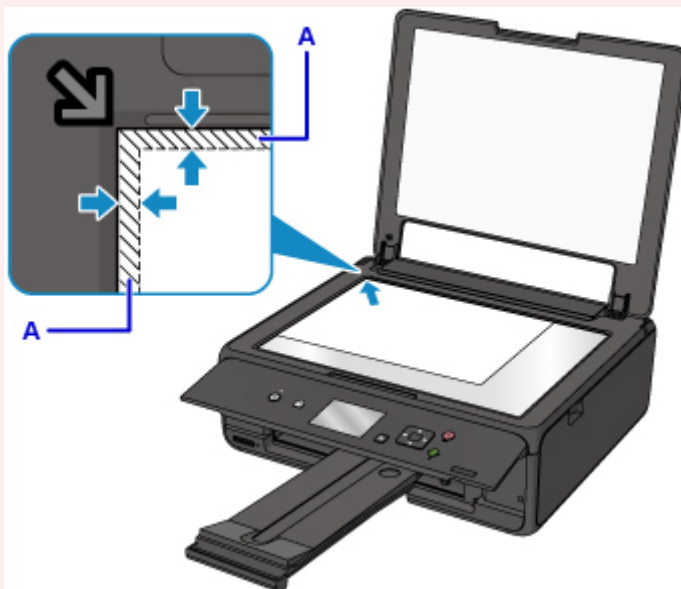
- 放置原稿以复印
- 在扫描中，
 - 为**文档类型**选择**自动扫描**扫描文本文档、杂志或报纸
 - **文档类型**选择为**文档**或**照片**，**扫描尺寸**指定为标准尺寸(A4、Letter 尺寸等)以扫描原稿
- 使用计算机上的软件应用程序，
 - 扫描文本文档、杂志或报纸
 - 选择标准尺寸(A4、Letter 尺寸等)以扫描原稿

将原稿要扫描的一面向下放置在稿台玻璃上并使其与对齐标记对齐。无法扫描放置在斜纹区的部分。



重要事项

- 打印机无法扫描条纹区域(A)[距离稿台玻璃边缘 1 毫米(0.04 英寸)的位置]。

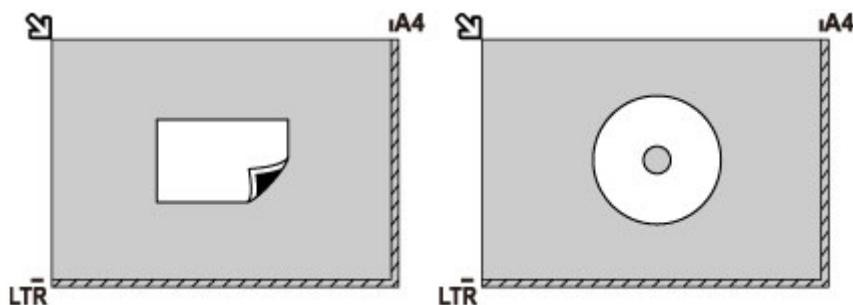


在稿台玻璃中央仅放置一张原稿

- 仅在**照片复印**中扫描一张打印的照片
- 在扫描中，
 - 将**文档类型**选择为**自动扫描**以扫描打印的照片、明信片、名片或光盘(BD/DVD/CD)

- 为文档类型选择照片，为扫描尺寸指定自动扫描以扫描一份原稿

将原稿要扫描的一面向下放置，在稿台玻璃的边缘(斜纹区)留有 1 厘米(0.4 英寸)或更多空间。无法扫描放置在斜纹区的部分。

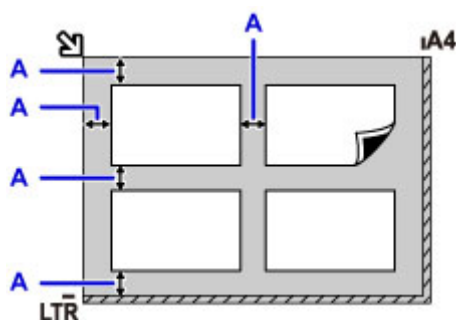


在稿台玻璃上放置两张或更多原稿

- 在照片复印中扫描两张或更多张打印的照片
- 在扫描中，
 - 为文档类型选择自动扫描，以扫描两份或多份打印的照片、明信片或名片
 - 为文档类型选择照片，为扫描尺寸指定自动多项扫描以扫描两份或多份原稿
- 使用计算机上的软件应用程序扫描两份或多份打印的照片、明信片或名片

将要扫描的一面向下放置文档。允许稿台玻璃边缘(斜纹区)与原稿以及原稿与原稿之间留有 1 厘米(0.4 英寸)或更大的空间。无法扫描放置在斜纹区的部分。

最多可以放置 12 个项目。



A: 大于 1 厘米(0.4 英寸)

注 释

- 倾斜修正功能会自动校正最大约 10 度倾斜放置的原稿。无法修正长边为 180 毫米(7.1 英寸)或更长尺寸的倾斜照片。
- 可能无法正确扫描非长方形或形状不规则的照片(如被裁剪的照片)。

支持的原稿

项目	详细信息
原稿类型	- 文本文档、杂志或报纸 - 打印的照片、明信片、名片或光盘(BD/DVD/CD 等)
尺寸(宽度 x 高度)	最大 216 x 297 毫米(8.5 x 11.7 英寸)

»» 注释

- 将厚原稿(如书籍)放到稿台玻璃上时，可以从打印机取下文档盖板以放上厚原稿。

■ [如何拆卸/安装文档盖板](#)

如何拆卸/安装文档盖板

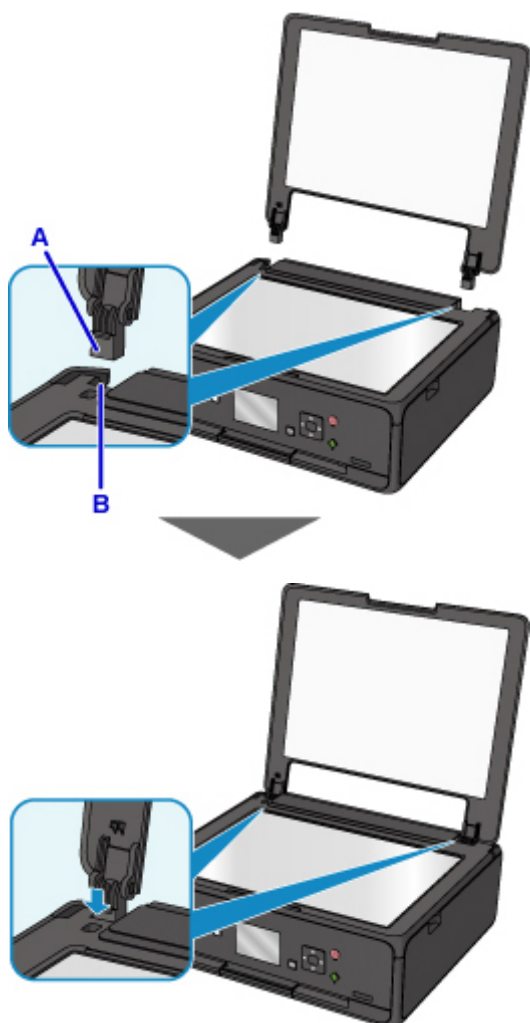
拆卸文档盖板：

垂直抬起文档盖板，然后将其向后倾斜。



安装文档盖板：

如下图所示，将文档盖板的两个转轴(A)装入插槽(B)中并将文档盖板的两个转轴垂直插入。



插入存储卡

- ▶ 插入存储卡之前
- ▶ 插入存储卡
- ▶ 取出存储卡

插入存储卡之前

打印机兼容以下存储卡类型和图像数据。

重要事项

- 如果在无法保证某一类型的存储卡能够在兼容 PictBridge(无线 LAN)的设备上正常工作的情况下，使用了该存储卡拍摄或保存照片，则图像数据可能会损坏或无法在打印机上读取。有关保证能在兼容 PictBridge(无线 LAN)的设备上正常工作的存储卡的信息，请参阅兼容 PictBridge(无线 LAN)的设备附带的说明手册。
- 使用兼容相机文件系统设计规则(兼容 Exif 2.2/2.21/2.3)和 TIFF(兼容 Exif 2.2/2.21/2.3)的数码相机格式化存储卡。如果在计算机上格式化存储卡，则该存储卡可能与打印机不兼容。

不需要存储卡适配器的存储卡

- SD Secure Digital 存储卡、SDHC 存储卡



需要存储卡适配器的存储卡

将存储卡插入存储卡插槽之前务必将其安装到专用适配器。

- miniSD 卡、miniSDHC 卡

使用专用“SD 卡适配器”。



- microSD 卡、microSDHC 卡

使用专用“SD 卡适配器”。



重要事项

- 如果下面某一存储卡未使用存储卡适配器插入，则可能无法取出该存储卡。

■ 无法取出存储卡

可打印图像数据

- 本打印机支持使用兼容相机文件系统设计规则(兼容 Exif 2.2/2.21/2.3)和 TIFF(兼容 Exif 2.2/2.21/2.3)的数码相机拍摄的图像。无法打印其他图像或影像类型，如 RAW 图像。
- 将文档类型设置为照片并将格式设置为 JPEG(文件扩展名“.jpg”)时，打印机才接收打印机扫描以及保存的图像。

注释

- 本设备含有 Microsoft 授权的 exFAT 技术。

插入存储卡

重要事项

- 将存储卡插入存储卡插槽时，**存取**指示灯亮起。**存取**指示灯闪烁时，说明打印机正在读取存储卡。在这种情况下，请勿触摸存储卡插槽周围的区域。

注释

- 将读/写属性设置为从 **USB 连接计算机可写** 时，无法使用打印机的操作面板从存储卡打印图像数据。将存储卡插槽用作计算机的存储卡驱动器后，取出存储卡，在**设备设置**中选择**设备用户设置**，然后将**读/写属性**设置为**从计算机不可写**。

■ 将存储卡插槽设置为计算机的存储卡驱动器

- 如果使用计算机编辑或增强保存在存储卡中的照片，务必从计算机打印照片。如果使用操作面板，则可能不会正确打印照片。

1. 准备存储卡。

如果存储卡需要专用适配器，请安装专用存储卡适配器。

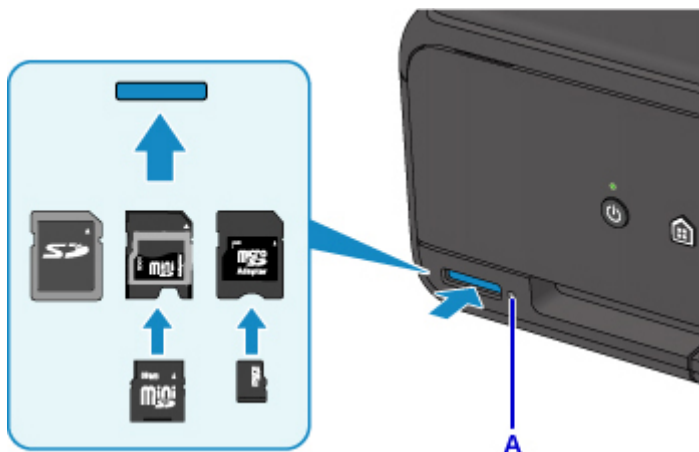
■ 插入存储卡之前

2. 开启电源。

3. 将存储卡插入存储卡插槽。

将存储卡平直地插入存储卡插槽，带有标签的一面朝上。

存储卡正确插入时，**存取**指示灯(A)将亮起。



将以下类型的存储卡插入存储卡插槽之前务必将其安装到存储卡适配器。

- miniSD 卡、miniSDHC 卡
- microSD 卡、microSDHC 卡

重要事项

- 存储卡的一部分将会露出存储卡插槽，请勿再继续用力将其插入槽中。这样做会损坏打印机或存储卡。

- 将存储卡插入存储卡插槽前，请确保存储卡的方向正确。如果以不正确的方向用力将存储卡插入存储卡插槽，会损坏存储卡或打印机。

取出存储卡

重要事项

- 如果将存储卡插槽用作计算机的存储卡驱动器，则从打印机实际取出存储卡之前，必须在计算机上执行“安全删除”操作。

■ 将存储卡插槽设置为计算机的存储卡驱动器

1. 确保存取指示灯亮起，并取出存储卡。

捏住存储卡突出部分并将其平直地从打印机中取出。

重要事项

- 请勿在**存取**指示灯闪烁时取出存储卡。打印机从存储卡读取数据或向存储卡写入数据时，**存取**指示灯闪烁。如果在**存取**指示灯闪烁时取出存储卡或关闭电源，会损坏保存在存储卡中的数据。

更换墨水盒

- ▶ 更换墨水盒
- ▶ 在 LCD 屏幕上检查墨水状态
- ▶ 通过墨水指示灯检查墨水状态

更换墨水盒

当出现剩余墨水警告或错误时，LCD 屏幕上将出现信息以提示出现错误。在这种状态下，打印机无法进行打印或扫描。根据信息采取适当措施。

■ 发生错误

▶▶▶ 注释

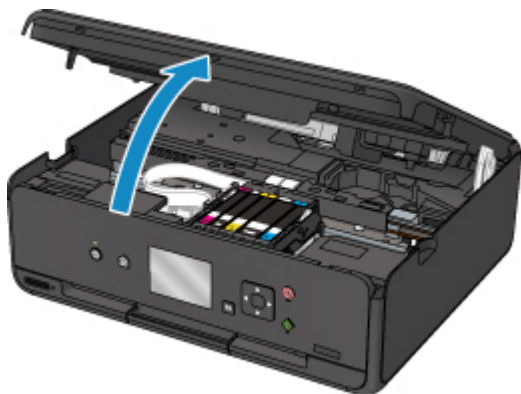
- 如果在墨水量充足的状态下打印结果变得暗淡或出现白色条纹，请参见[维护步骤](#)。
- 有关处理墨水盒的注意事项，请参见[墨水盒的注意事项](#)。

更换步骤

需要更换墨水盒时，请按照以下步骤操作。

1. 确保电源已开启。
2. 打开扫描单元/机盖。

打印头固定器移至更换位置。



⚠ 注意

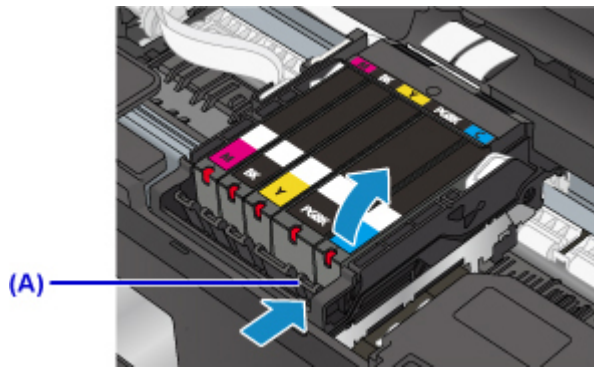
- 请勿捏着打印头固定器强行将其停止或移动。打印头固定器完全停止之前，请勿触摸。

▶▶▶ 重要事项

- 请勿触摸打印机内部的金属部件或其他部件。
- 如果扫描单元/机盖打开的时间超过 10 分钟，打印头固定器会移到右侧。在这种情况下，请关闭并重新打开扫描单元/机盖。

3. 取出指示灯快速闪烁的墨水盒。

推动手柄(A)并抬起墨水盒将其取出。



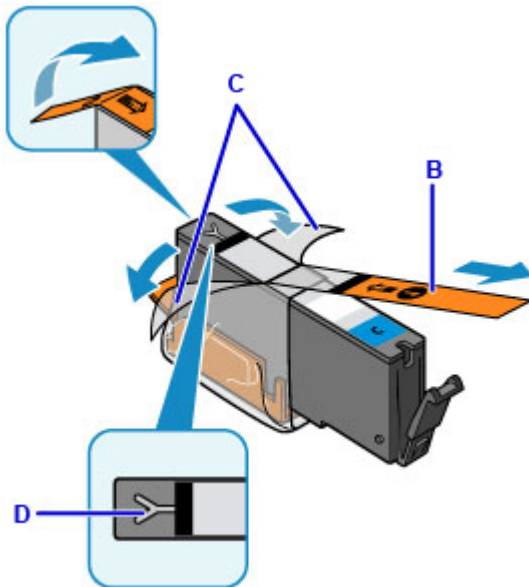
重要事项

- 请勿触摸墨水盒以外的其他部件。
- 小心处理墨水盒，以免弄脏衣物或四周。
- 请根据当地处理耗用品的法律和法规，弃置空墨水盒。

注释

- 请勿同时取出两个或更多墨水盒。更换两个或更多墨水盒时，请务必逐个更换墨水盒。
- 有关墨水指示灯闪烁速度的详细资料，请参见[通过墨水指示灯检查墨水状态](#)。

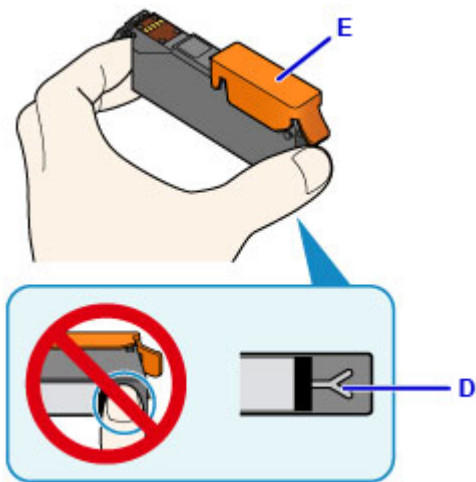
4. 从包装中取出新的墨水盒，完全取下橙色胶带(B)，然后完全取下保护薄膜(C)。



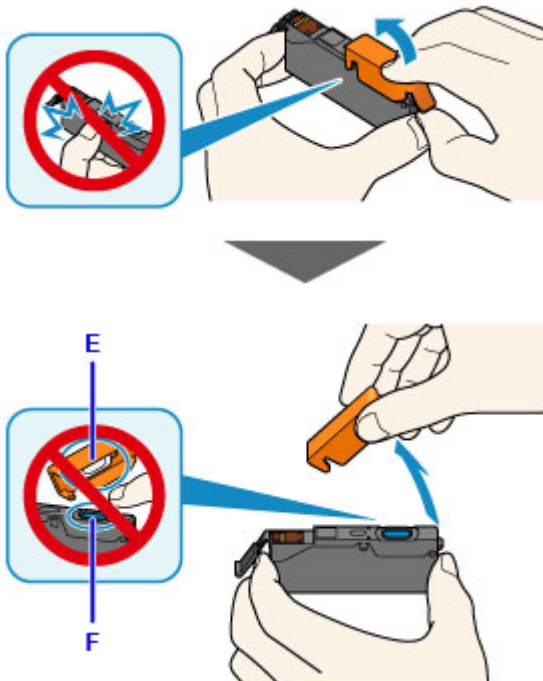
重要事项

- 小心处理墨水盒。请勿将其掉落或向其施加过大的压力。
- 如果橙色胶带仍留在 Y 形气孔(D)上，墨水可能会溅出或打印机可能无法正确打印。

5. 使橙色保护盖(E)朝上，握住墨水盒，同时注意不要阻塞 Y 形气孔(D)。



6. 抬起橙色保护盖(E)上的卡子以将其轻轻取下。

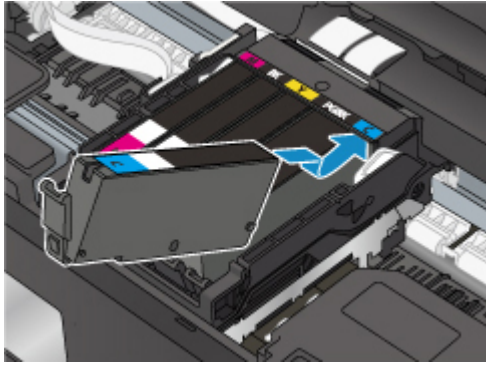


重要事项

- 请勿按压墨水盒的侧面。如果在 Y 形气孔(D)阻塞的情况下按压墨水盒的侧面，墨水可能会溅出。
- 请勿触摸橙色保护盖(E)的内侧或裸露的墨水端口(F)。如果触摸这些区域，墨水可能会弄脏双手。
- 取下保护盖后，请勿将保护盖(E)重新盖上。请根据当地处理耗用品的法律和法规将其弃置。

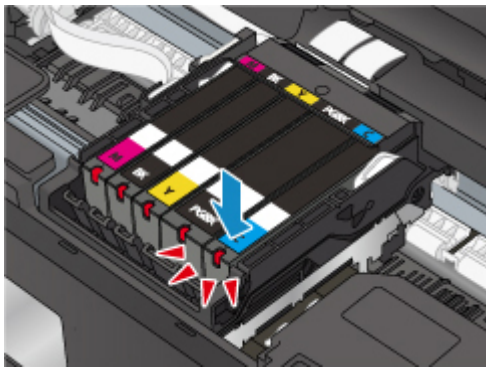
7. 将墨水盒的前端倾斜地插入打印头。

确保墨水盒的位置与标签一致。



8. 按墨水盒上部直至墨水盒稳固地锁定到位。

确保墨水指示灯亮起。

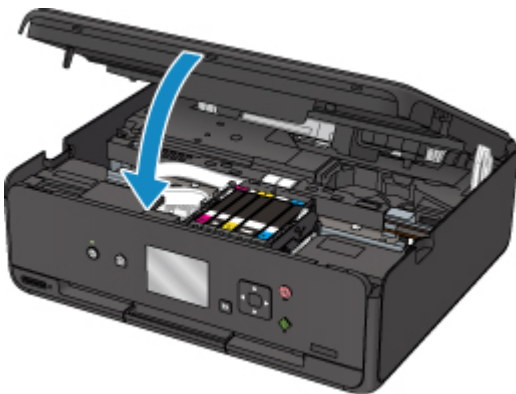


重要事项

- 如果墨水盒安装位置错误，则无法进行打印。务必根据打印头固定器上的标签正确安装墨水盒。
- 所有墨水盒安装完成后才能打印。请务必安装所有墨水盒。

9. 关紧扫描单元/机盖。

如果 LCD 屏幕上显示信息，请选择 **OK**。



注意

- 合上扫描单元/机盖时，小心不要夹到手指。

注释

- 如果关闭扫描单元/机盖后出现错误信息，请采取适当措施。

■ 发生错误

- 更换墨水盒后开始打印时，打印机会自动开始清洗打印头。打印机完成打印头清洗之前请勿执行任何其他操作。
- 如果打印头没有对齐(打印的规则线条未对齐或有类似现象)，请[对齐打印头](#)。
- 打印机在操作时可能产生噪音，但这不表示打印机存在问题。

墨水盒的注意事项

▶▶▶ 重要事项

- 如果取出墨水盒，请立即更换。请勿让打印机处于没有墨水盒的状态。
- 使用新墨水盒进行更换。安装使用过的墨水盒可能会造成喷嘴堵塞。此外，使用这样的墨水盒，打印机将无法正确提示何时更换墨水盒。
- 一旦安装墨水盒后，请勿将其从打印机中取出并裸露放置。这将造成墨水盒干涸，如果重新装入，打印机可能无法正常工作。要保持最佳打印质量，请在墨水盒开封后六个月内将其用完。

▶▶▶ 注释

- 即使打印黑白文档或指定黑白打印时，也可能会消耗彩色墨水。为保持打印机性能而必须进行打印头标准清洗和打印头深度清洗时，也会消耗多种墨水。


墨水盒中的墨水用完时，请立即更换一个新的墨水盒。

■ 墨水提示

在 LCD 屏幕上检查墨水状态

1. 确保电源已开启，并且显示主页屏幕。

如果未显示主页屏幕，请按**主页**按钮显示该屏幕。

2. 在主页屏幕上选择  **设置**。


■ [LCD 屏幕和操作面板](#)

将出现设置菜单屏幕。

3. 选择  **估计墨水量**。

如果存在任何关于剩余墨水量的信息，区域(A)中会显示一个符号。



示例: 

墨水量很少。准备一个新墨水盒。

如果在这种情况下继续打印，打印结果的质量可能不会令人满意。

►► 注释

- 以上屏幕显示估计墨水量。
- 选择**墨水型号**将显示用于检查墨水型号的**墨水型号**屏幕。选择此屏幕上的**打印型号**，可以打印墨水型号。选择**立即订购墨水**将显示用于访问墨水订购网站的 QR 代码。连接到互联网的费用由客户承担。
- 也可以在打印时显示的 LCD 屏幕的屏幕上检查墨水状态。
- 也可以在计算机屏幕上检查墨水状态。
 - 对于 Windows:
 - [从计算机检查墨水状态](#)
 - 对于 Mac OS:
 - [从计算机检查墨水状态](#)

通过墨水指示灯检查墨水状态

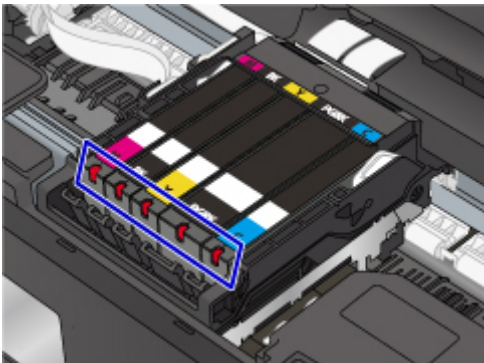
1. 确保电源已开启。
2. 打开扫描单元/机盖。

■ 更换步骤

3. 检查墨水指示灯。

检查墨水指示灯状态之后关闭扫描单元/机盖。

■ 更换步骤



- 墨水指示灯亮起。
墨水盒正确安装到位。
- 墨水指示灯闪烁。

慢速闪烁(间隔约 3 秒)



..... 重复

墨水量很少。准备一个新墨水盒。

如果在这种情况下继续打印，打印结果的质量可能不会令人满意。

快速闪烁(间隔约 1 秒)



..... 重复

- 墨水盒安装位置错误。

或

- 墨水已用完。

确保按照打印头固定器上标签所指示的位置正确安装墨水盒。如果位置正确但指示灯闪烁，则表明出现故障，打印机无法打印。查看 LCD 屏幕上显示的错误信息。

■ 发生错误

- 墨水指示灯熄灭。

墨水盒未正确安装或剩余墨水量检测功能被禁用。如果墨水盒未稳固地锁定到位，请确保已将橙色保护盖从墨水盒底部取下，然后按墨水盒上部直至墨水盒锁定到位。

重新安装墨水盒后如果墨水指示灯仍然熄灭，则表明已出现故障并且打印机无法打印。查看 LCD 屏幕上显示的错误信息。

■ [发生错误](#)

»» 注释

- 也可以在计算机屏幕上检查墨水状态。
 - 对于 Windows:
 - [从计算机检查墨水状态](#)
 - 对于 Mac OS:
 - [从计算机检查墨水状态](#)

维护

- ▶ 如果打印变得暗淡或不均匀
- ▶ 从计算机执行维护功能 (Windows)
- ▶ 从计算机执行维护功能 (Mac OS)
- ▶ 清洁

如果打印变得暗淡或不均匀

- ▶ 维护步骤
- ▶ 打印喷嘴检查图案
- ▶ 检查喷嘴检查图案
- ▶ 清洗打印头
- ▶ 深度打印头清洗
- ▶ 对齐打印头

维护步骤

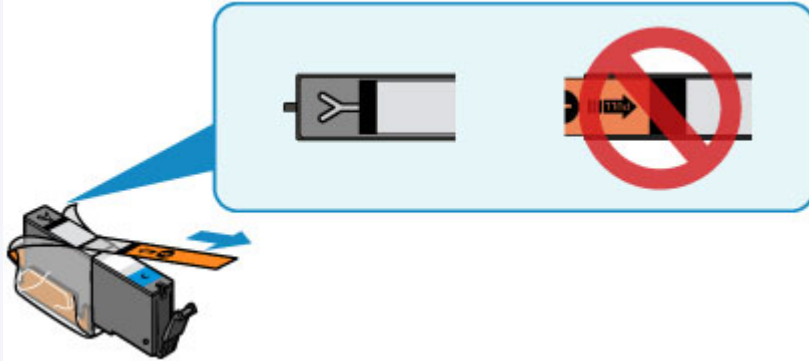
如果打印结果模糊不清、打印颜色错误或对打印结果仍不满意(例如, 打印的规则线条未对齐), 请执行以下维护操作。

重要事项

- 请勿冲洗或擦拭打印头和墨水盒。 这样会造成打印头和墨水盒故障。

注释

- 确保橙色保护胶带没有留在墨水盒上。



- 打开扫描单元/机盖并确保墨水盒上的指示灯亮起。 如果指示灯闪烁或熄灭, 请采取适当措施。

■ [通过墨水指示灯检查墨水状态](#)

- 在打印机驱动程序中提高打印质量设置可能改善打印结果。

- 对于 Windows:

■ [更改打印质量及修正图像数据](#)

- 对于 Mac OS:

■ [更改打印质量及修正图像数据](#)

打印结果模糊或不均匀时:

步骤 1 [打印喷嘴检查图案](#)。

从打印机

■ [打印喷嘴检查图案](#)

从计算机

- 对于 Windows:

■ [打印喷嘴检查图案](#)

- 对于 Mac OS:

■ [打印喷嘴检查图案](#)

步骤 2 [检查喷嘴检查图案](#)。

如果图案中有线条缺失或者水平白色条纹：



步骤 3 清洗打印头。

从打印机

清洗打印头

从计算机

- 对于 Windows：
 - 清洗打印头
- 对于 Mac OS：
 - 清洗打印头

清洗打印头后，打印并检查喷嘴检查图案：➡ [步骤 1](#)

如果执行两次步骤 1 至步骤 3 后问题仍未解决：



步骤 4 深度清洗打印头。

从打印机

深度打印头清洗

从计算机

- 对于 Windows：
 - 清洗打印头
- 对于 Mac OS：
 - 清洗打印头

注释

- 如果已执行至步骤 4 后问题仍未解决，关闭电源并在 24 小时后再次深度清洗打印头。
如果问题仍未解决，打印头可能已损坏。请与服务中心联系。

打印结果不均匀(例如规则的线条未对齐)时：

步骤 对齐打印头。

从打印机

对齐打印头

从计算机

- 对于 Windows：
 - 调整打印头位置
- 对于 Mac OS：

■ 调整打印头位置

打印喷嘴检查图案

打印喷嘴检查图案以确定打印头喷嘴是否正常地喷出墨水。

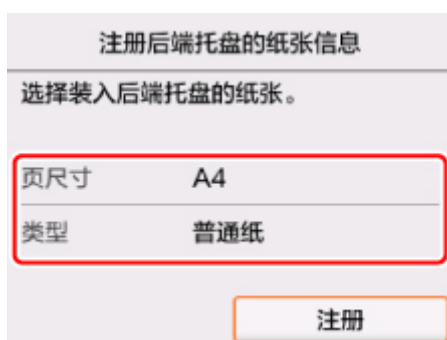
►► 注释

- 如果剩余墨水量不足，则不会正确打印喷嘴检查图案。 [更换墨水量低的墨水盒。](#)

需要准备：一张 A4 或 Letter 尺寸的普通纸


1. 确保电源已开启。
2. 装入一张 A4 或 Letter 尺寸的普通纸。

关闭进纸插槽盖板后，LCD 屏幕上显示纸张信息注册屏幕。将页尺寸选择为 **A4** 或 **Letter**，并将类型选择为 **普通纸**，然后选择 **注册**。



如果 LCD 屏幕上显示信息，按照信息中的说明完成注册。

3. 打开操作面板，然后拉出出纸托盘。

4. 在主页屏幕上选择  **设置**。

■ [LCD 屏幕和操作面板](#)

将出现设置菜单屏幕。

5. 选择  **维护**。

将出现**维护**屏幕。

6. 选择**打印喷嘴检查图案**。



将出现确认屏幕。

7. 选择**是**。

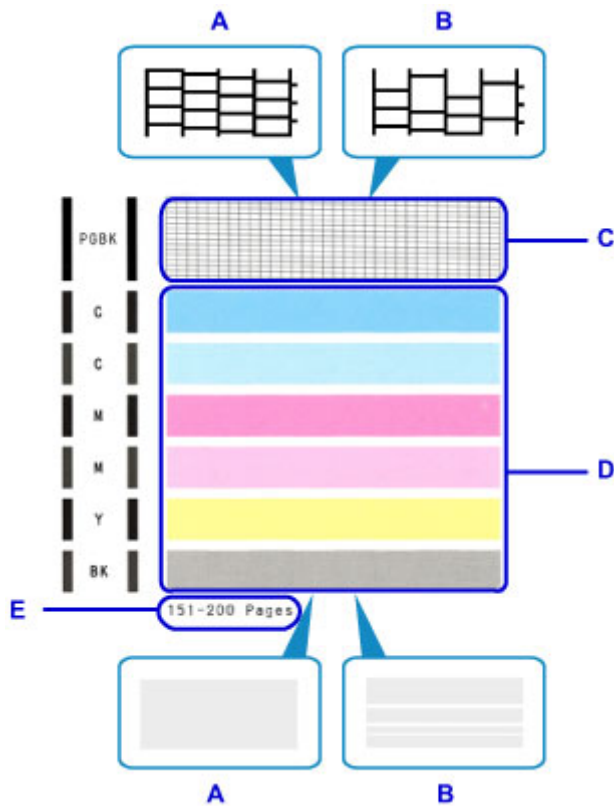
将打印喷嘴检查图案，并且 LCD 屏幕上将出现两个图案确认屏幕。

8. [检查喷嘴检查图案](#)。

检查喷嘴检查图案

检查喷嘴检查图案，并在需要时清洗打印头。

1. 检查图案 C 中是否有线条缺失或者图案 D 中是否有水平白色条纹。

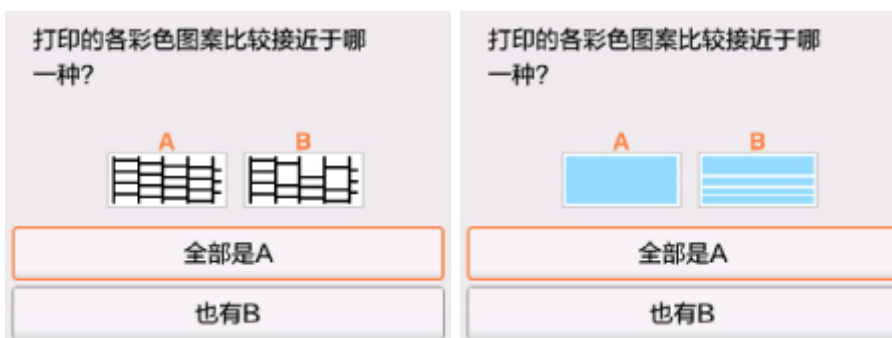


A: 无线条缺失/无水平白色条纹

B: 有线条缺失/有水平白色条纹

E: 当前已打印的张数

2. 选择确认屏幕上更接近已打印的喷嘴检查图案的图案。



对于图案 C 和图案 D 中的 A(无线条缺失或无水平白色条纹):

不需要进行清洗。选择**全部是 A**，确认信息，然后选择 **OK**。

屏幕将返回至**维护**屏幕。

对于图案 C 和/或图案 D 中的 B(有线条缺失或有水平白色条纹):

需要进行清洗。选择**也有 B**，然后在清洗确认屏幕上选择**是**。

打印机开始清洗打印头。

■ 清洗打印头

如果图案 C 中的任何颜色或者图案 D 未打印:



(示例: 未打印品红色图案)

需要进行清洗。选择**也有 B**，然后在清洗确认屏幕上选择**是**。

打印机开始清洗打印头。

■ 清洗打印头

▶▶▶ 注释

- 当前已打印纸张的总数以 50 张为增量显示在喷嘴检查图案的打印输出上。

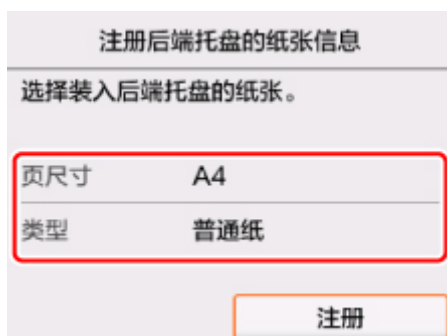
清洗打印头

如果打印的喷嘴检查图案中线条缺失或出现水平白色条纹，请清洗打印头。清洗疏通喷嘴并恢复打印头状况。清洗打印头消耗墨水，因此请仅在需要时清洗打印头。

需要准备：一张 A4 或 Letter 尺寸的普通纸


1. 确保电源已开启。
2. 装入一张 A4 或 Letter 尺寸的普通纸。

关闭进纸插槽盖板后，LCD 屏幕上显示纸张信息注册屏幕。将**页尺寸**选择为 **A4** 或 **Letter**，并将**类型**选择为**普通纸**，然后选择**注册**。



如果 LCD 屏幕上显示信息，按照信息中的说明完成注册。

3. 打开操作面板，然后拉出出纸托盘。

4. 在主页屏幕上选择  **设置**。

■ [LCD 屏幕和操作面板](#)

将出现设置菜单屏幕。

5. 选择  **维护**。

将出现**维护**屏幕。

6. 选择**清洗**。



将出现确认屏幕。

7. **选择是。**

打印机开始清洗打印头。

打印机完成打印头清洗之前请勿执行任何其他操作。此过程大约需要 1 分钟。

将出现图案打印确认屏幕。

8. **选择是。**

将打印喷嘴检查图案。

9. **[检查喷嘴检查图案。](#)**

»» 注释

- 如果清洗打印头两次后问题仍未解决，请[深度清洗打印头](#)。

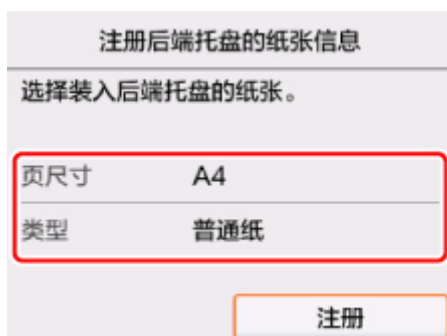
深度打印头清洗

如果标准打印头清洗未改善打印质量，则深度清洗打印头。深度清洗打印头比标准清洗打印头消耗更多墨水，因此请仅在必要时深度清洗打印头。

需要准备：一张 A4 或 Letter 尺寸的普通纸


1. 确保电源已开启。
2. 装入一张 A4 或 Letter 尺寸的普通纸。

关闭进纸插槽盖板后，LCD 屏幕上显示纸张信息注册屏幕。将**页尺寸**选择为 **A4** 或 **Letter**，并将**类型**选择为**普通纸**，然后选择**注册**。



如果 LCD 屏幕上显示信息，按照信息中的说明完成注册。

3. 打开操作面板，然后拉出出纸托盘。

4. 在主页屏幕上选择  **设置**。

■ [LCD 屏幕和操作面板](#)

将出现设置菜单屏幕。

5. 选择  **维护**。

将出现**维护**屏幕。

6. 选择**深度清洗**。



将出现确认屏幕。

7. **选择是。**

打印机开始深度清洗打印头。

打印机完成打印头深度清洗之前请勿执行任何其他操作。此过程大约需要 1 到 2 分钟。

将出现图案打印确认屏幕。

8. **选择是。**

将打印喷嘴检查图案。

9. 出现完成信息时，选择 **OK**。

10. [检查喷嘴检查图案](#)。

如果未正确打印某种颜色，则[更换该颜色的墨水盒](#)。

如果问题未解决，关闭电源并在 24 小时后再次深度清洗打印头。

如果问题仍未解决，打印头可能已损坏。请与服务中心联系。

对齐打印头

如果规则的线条打印后没有对齐或打印效果不理想，请调整打印头位置。

►► 注释

- 如果剩余墨水量不足，则不会正确打印打印头对齐页。

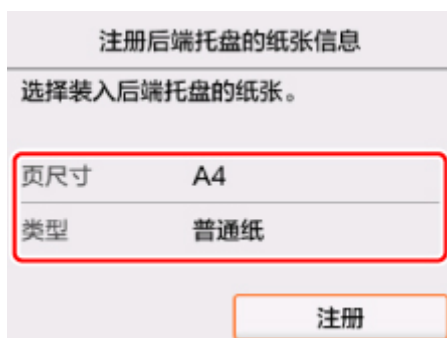
[更换墨水量低的墨水盒。](#)

需要准备：一张 A4 或 Letter 尺寸的普通纸(包括再生纸)*

* 务必使用两面均洁白干净的纸张。


1. 确保电源已开启。
2. 装入一张 A4 或 Letter 尺寸的普通纸。

关闭进纸插槽盖板后，LCD 屏幕上显示纸张信息注册屏幕。将**页尺寸**选择为 **A4** 或 **Letter**，并将**类型**选择为**普通纸**，然后选择**注册**。



如果 LCD 屏幕上显示信息，按照信息中的说明完成注册。

3. 打开操作面板，然后拉出出纸托盘。

4. 在主页屏幕上选择  **设置**。

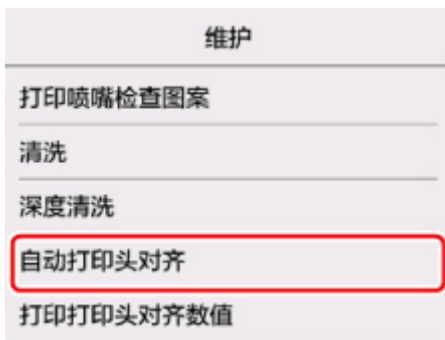
■ [LCD 屏幕和操作面板](#)

将出现设置菜单屏幕。

5. 选择  **维护**。

将出现**维护**屏幕。

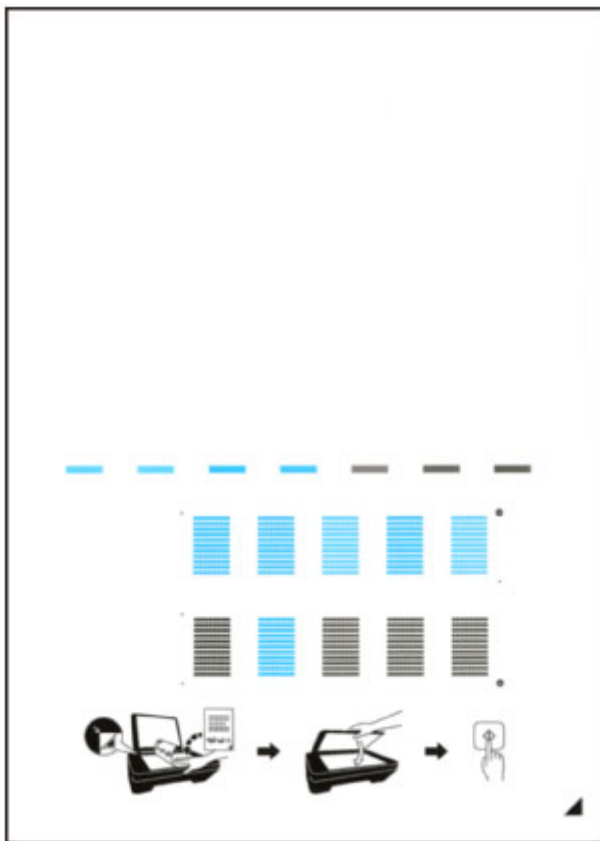
6. 选择**自动打印头对齐**。



将出现确认屏幕。

7. 确认信息，然后选择**是**。

将打印打印头对齐页。





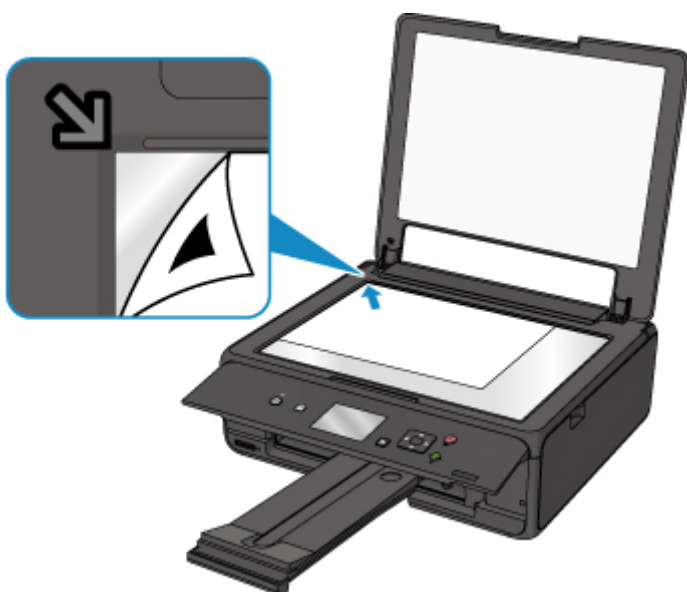
重要事项

- 请勿触摸打印头对齐页上的任何打印部分。如果打印头对齐页脏污或皱褶，可能无法正确扫描。

8. 显示信息“**图案是否正确打印？**”时，确认图案是否已正确打印，然后选择**是**。

9. 确认信息，然后将打印头对齐页放置在稿台玻璃上。

将打印面向下放置打印头对齐页，并将该页右下角的标记  与对齐标记  对齐。



10. 轻轻关闭文档盖板，然后选择 **OK**。

打印机开始扫描打印头对齐页，并且将自动调整打印头位置。

重要事项

- 打印头位置调整完成之前，请勿打开文档盖板或取出稿台玻璃上的打印头对齐页。
- 如果 LCD 屏幕上显示错误信息，选择 **OK** 清除错误，然后采取适当措施。

■ 发生错误

11. 出现完成信息时，选择 **OK**。

取下稿台玻璃上的打印头对齐页。

注释

- 如果按以上描述调整打印头位置后打印效果仍不理想，请从计算机手动调整打印头位置。
 - 对于 Windows:
 - 调整打印头位置
 - 对于 Mac OS:
 - 调整打印头位置
- 要打印和检查当前打印头的位置调整值，请选择**维护**屏幕上的**打印打印头对齐数值**。

从计算机检查墨水状态

可以查看详细信息，如剩余墨水量和打印机型号的墨水盒类型。

从 [Canon IJ Printer Utility2](#) 的弹出窗口中选择**墨水量信息**时，会出现显示墨水状态的图示。


估计墨水量

可以检查墨水类型和墨水量。

墨水量很少或因没有墨水而出现错误时，将出现一个通知图标。

如果将光标放置在墨水盒上，将显示墨水型号编号和墨水量。

注 释

- 单击  以检查打印机所使用的墨水盒。
- 单击**更新**以显示当前剩余墨水量。

清洁

- ▶ 清洁外部表面
- ▶ 清洁稿台玻璃和文档盖板
- ▶ 清洁进纸滚轴
- ▶ 清洁打印机内部(底板清洁)


清洁进纸滚轴

如果进纸滚轴脏污或沾有纸屑，则可能不会正确送入纸张。

在这种情况下，清洁进纸滚轴。清洁会磨损进纸滚轴，因此仅在必要时执行清洁。

需要准备：三张 A4 或 Letter 尺寸的普通纸

1. 确保电源已开启。

2. 在主页屏幕上选择  **设置**。

■ [LCD 屏幕和操作面板](#)

将出现设置菜单屏幕。

3. 选择  **维护**。

将出现**维护**屏幕。

4. 选择**滚轴清洁**。



将出现确认屏幕。

5. 选择**是**。

6. 按照信息从后端托盘取出所有纸张。

7. 选择 **OK**。

无纸清洁时，进纸滚轴会转动。

8. 确保进纸滚轴已停止转动，然后按照信息装入三张 A4 或 Letter 尺寸的普通纸。

9. 打开操作面板，然后拉出出纸托盘。

10. 选择 **OK**。

打印机开始清洁。纸张弹出时，清洁完成。

11. 出现完成信息时，选择 **OK**。

如果清洁进纸滚轴后问题仍未解决，请联系服务中心。


清洁打印机内部(底板清洁)

从打印机内部擦除污迹。如果打印机内部脏污，可能会弄脏打印的纸张，因此建议定期执行清洁。

需要准备：一张 A4 或 Letter 尺寸的普通纸*

* 务必使用一张新纸。

1. 确保电源已开启。
2. 打开操作面板，然后拉出出纸托盘。

3. 在主页屏幕上选择  设置。

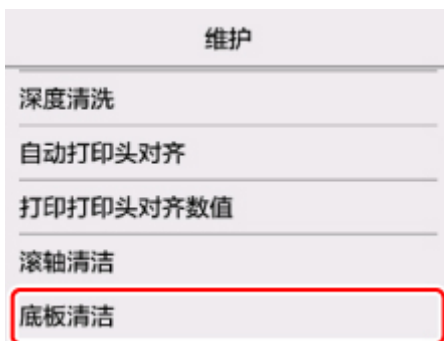
■ [LCD 屏幕和操作面板](#)

将出现设置菜单屏幕。

4. 选择  维护。

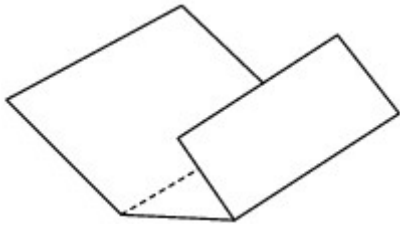
将出现维护屏幕。

5. 选择底板清洁。



将出现确认屏幕。

6. 选择是。
7. 按照信息从后端托盘取出所有纸张。
8. 按 **OK** 按钮。
9. 将一张 A4 或 Letter 尺寸的普通纸横向对折，然后打开纸张。
10. 将打开纸张的一半对折，使其边缘与中心折痕对齐，打开纸张，然后按 **OK** 按钮。



11. 将开口面向自己，在后端托盘中仅装入该纸张。



12. 选择 **OK**。

纸张送入打印机时将清洁打印机内部。

检查已输出纸张的折叠部分。如果被墨水弄脏，请再次执行底板清洁。

13. 出现完成信息时，选择 **OK**。

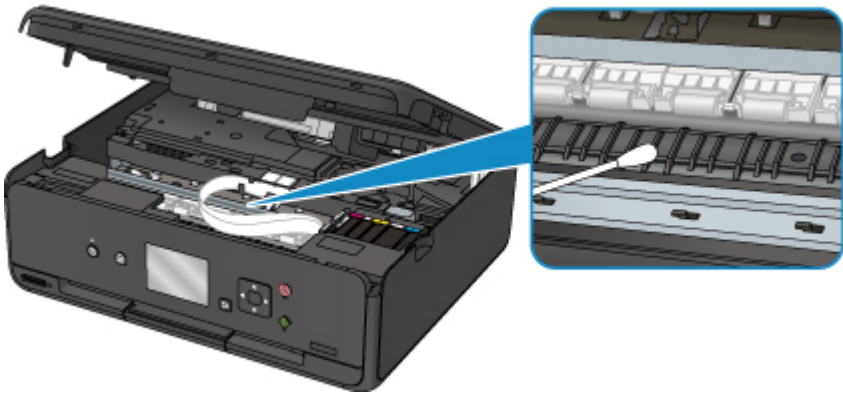
注釋

- 再次执行底板清洁时，务必使用一张新纸。

如果再次执行清洁后问题仍未解决，打印机内部的突出部分可能已脏污。使用棉签或类似物品将突出部分的所有墨水擦拭干净。

重要事項

- 清洁打印机之前，务必关闭电源并拔出电源线。



概述

▶ 安全相关

- 安全注意事项
- 法规信息
- WEEE (EU & EEA)

▶ 主要部件和使用方法

- 主要部件
- 电源供应
- LCD 屏幕和操作面板

▶ 更改设置

- 从您的计算机中更改打印机设置(Windows)
- 从您的计算机中更改打印机设置(Mac OS)
- 从操作面板更改设置
- 使用 Web 浏览器更改打印机的设置

▶ 网络连接

- 网络连接提示

▶ 网络设置(IJ Network Device Setup Utility) (Windows)

- IJ Network Device Setup Utility
- 启动 IJ Network Device Setup Utility

▶ 确保获得最佳打印结果

- 墨水提示
- 打印提示
- 打印前检查纸张设置
- 装入纸张后设置后端托盘的纸张信息
- 取消打印作业
- 打印机使用注意事项
- 保持高打印质量

- 运输打印机
- ▶ 扫描/复印的法律限制
- ▶ 规格

安全相关

- ▶ 安全注意事项
- ▶ 法规信息
- ▶ WEEE (EU&EEA)

安全注意事项

选择放置位置

- 请勿将打印机放置在不稳固或有可能受到强烈震动的地方。
- 请勿将打印机放置在高湿度、多尘、阳光直射、户外或接近热源的地方。
为了避免火灾或触电危险，请在[规格](#)中指定的环境下使用打印机。
- 请勿将打印机放置于厚垫或地毯上。
- 请勿将打印机背面紧贴墙壁放置。

电源供应

- 时刻确保电源插座附近没有障碍物，以便必要时可以轻易地拔出电源线。
- 切勿拽着电源线拔出插头。
拉拽电线可能损坏电源线，并可能导致火灾或电击。
- 请勿使用延长线。

在打印机附近工作时

- 切勿在打印过程中将手或手指伸入打印机内。
- 移动打印机时，同时握住打印机的两端。如果打印机重量超过 14 千克，建议由两人搬运打印机。打印机意外掉落可能造成伤害。关于打印机的重量，请参阅[规格](#)。
- 请勿将任何物品放置于打印机上。尤其勿将金属物品(如纸夹、订书钉等)或装有易燃溶剂(如酒精、稀释剂等)的容器放置于打印机上。
- 运输或使用打印机时，请勿使其倾斜、直立或倒置，否则墨水可能漏出并损坏打印机。
- 将厚书装入到稿台玻璃上时，请勿用力按压文档盖板。稿台玻璃可能破裂并导致受伤。

打印头/墨水盒/FINE 墨盒

- 请将墨水盒存放在远离孩童可接触的地方。如果不慎舔到或咽下墨水，请及时漱口或喝一两杯清水。如果感觉刺激或不适，请立即就医。
- 如果墨水进入眼中，请立即用水清洗。如果墨水接触到皮肤，请立即用肥皂和水清洗。如果眼部或皮肤仍感觉刺激，请立即就医。
- 切勿在打印结束后触摸打印头的电气触点或 FINE 墨盒。
金属部件可能非常灼热，并可能造成烫伤。
- 请勿将墨水盒和 FINE 墨盒投入火中。
- 请勿尝试拆开或改装打印头、墨水盒和 FINE 墨盒。

法规信息

电源要求


切勿使用购买时所在国家的电压供应以外的电源电压。使用不正确的电压将导致火灾或电击。正确的电源电压和频率如下：

AC 100-240V、50/60Hz

产品中有害物质的名称及含量

部件名称	有害物质					
	铅 (Pb)	汞 (Hg)	镉 (Cd)	六价铬 (Cr(VI))	多溴联苯 (PBB)	多溴二苯醚 (PBDE)
印刷电路板零部件	×	○	○	○	○	○
电源零部件	×	○	○	○	○	○
电气零部件	×	○	○	○	○	○
结构零部件	×	○	○	○	○	○
图像扫描/光源单元	×	×	○	○	○	○

本表格依据 SJ/T 11364 的规定编制。
○：表示该有害物质在该部件所有均质材料中的含量均在 GB/T 26572 规定的限量要求以下。
×：表示该有害物质至少在该部件的某一均质材料中的含量超出 GB/T 26572 规定的限量要求。
注释：根据产品的不同，一些部件不适用于此指令。

 中华人民共和国 电子电气产品有害物质限制使用标志	本标志适用于在中华人民共和国销售的电子电气产品，标志中央的数字代表产品的环保使用期限。 只要您遵守与本产品相关的安全与使用方面的注意事项，在从生产日期起算的上述年限内，就不会产生环境污染或对人体及财产的严重影响。
--	---

1. 标明附件中所规定的技术指标和使用范围，说明所有控制、调整及开关等使用方法；
 - 使用频率：2.4 - 2.4835 GHz
 - 等效全向辐射功率(EIRP):
天线增益 < 10dBi 时：≤100 mW 或 ≤20 dBm
 - 最大功率谱密度：
天线增益 < 10dBi 时：≤10 dBm / MHz(EIRP)
 - 载频容限：20 ppm
2. 不得擅自更改发射频率、加大发射功率(包括额外加装射频功率放大器)，不得擅自外接天线或改用其它发射天线；
3. 使用时不得对各种合法的无线电通信业务产生有害干扰；一旦发现有干扰现象时，应立即停止使用，并采取措施消除干扰后方可继续使用；
4. 使用微功率无线电设备，必须忍受各种无线电业务的干扰或工业、科学及医疗应用设备的辐射干扰；
5. 不得在飞机和机场附近使用。

WEEE (EU&EEA)

此规定仅适用于欧盟和 EEA（挪威、冰岛和列支敦士登）。
此处没有通知信息。

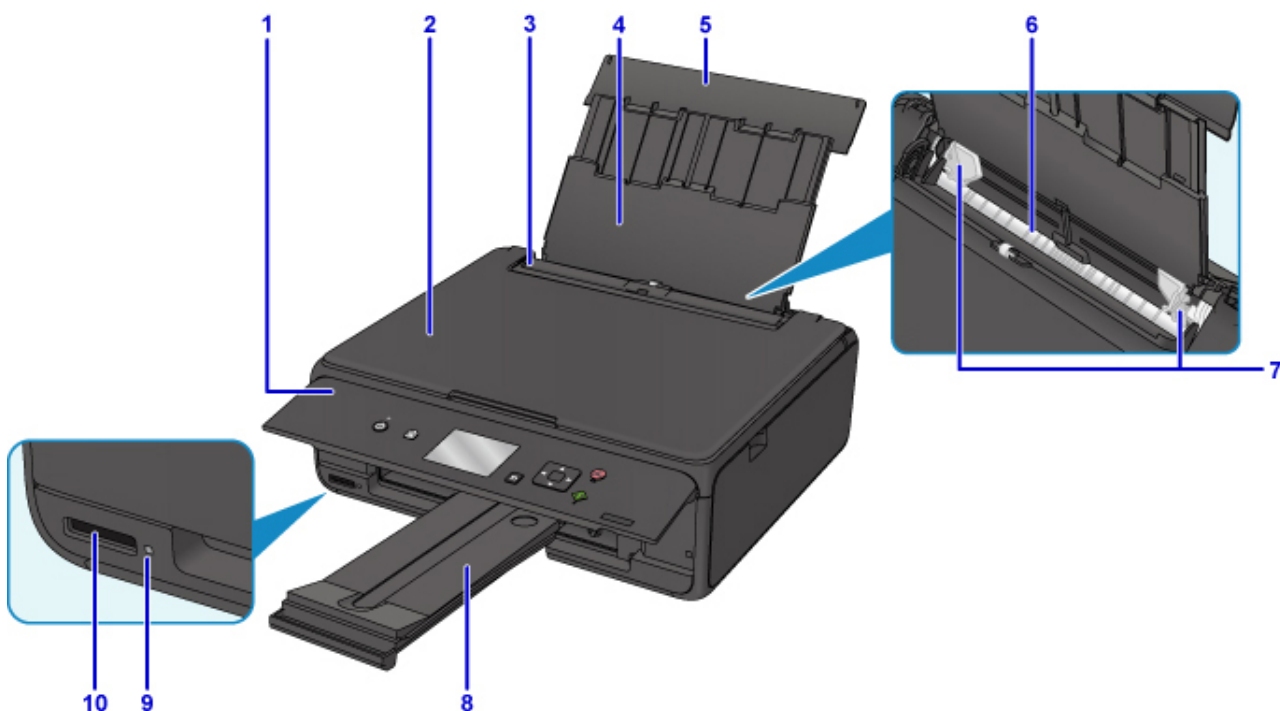
主要部件和使用方法

- ▶ 主要部件
- ▶ 电源供应
- ▶ LCD 屏幕和操作面板

主要部件

- ▶ 前视图
- ▶ 后视图
- ▶ 内部视图
- ▶ 操作面板

前视图



(1) 操作面板

用以更改打印机设置或操作打印机。

■ 操作面板

(2) 文档盖板

打开以在稿台玻璃上放置原稿。

(3) 进纸插槽盖板

防止任何物品落入进纸插槽。

打开可以移动纸张导片，打印前请将其关闭。

(4) 靠纸架

拉出以在后端托盘中装入纸张。

(5) 后端托盘盖

打开以在后端托盘中装入纸张。

(6) 后端托盘

请在此处装入纸张。可以同时装入两张或更多相同尺寸和类型的纸张，并且每次自动送入一张。

■ 装入普通纸/照片纸

■ 装入信封

(7) 纸张导片

对齐纸叠的两侧。

(8) 出纸托盘

输出已打印的纸张。打印前将其拉出。

(9) 存取指示灯

亮起或闪烁以指示存储卡状态。

■ 插入存储卡

(10) 存储卡插槽

插入存储卡。

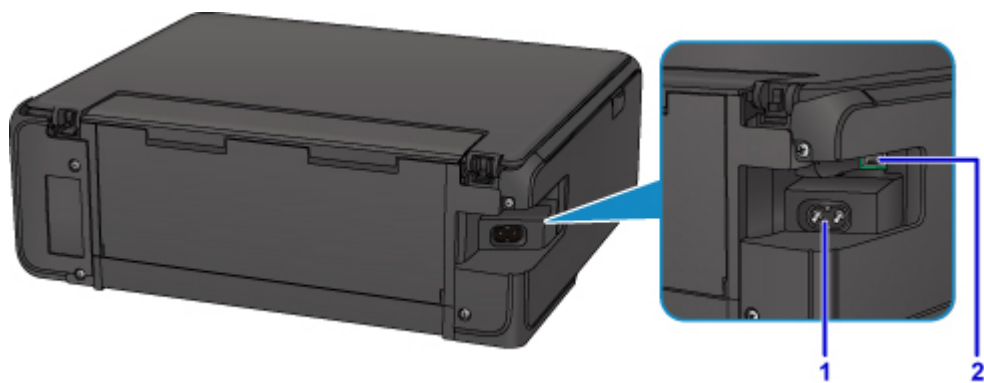
■ [插入存储卡之前](#)



(11) 稿台玻璃

请在此处放置原稿。

后视图

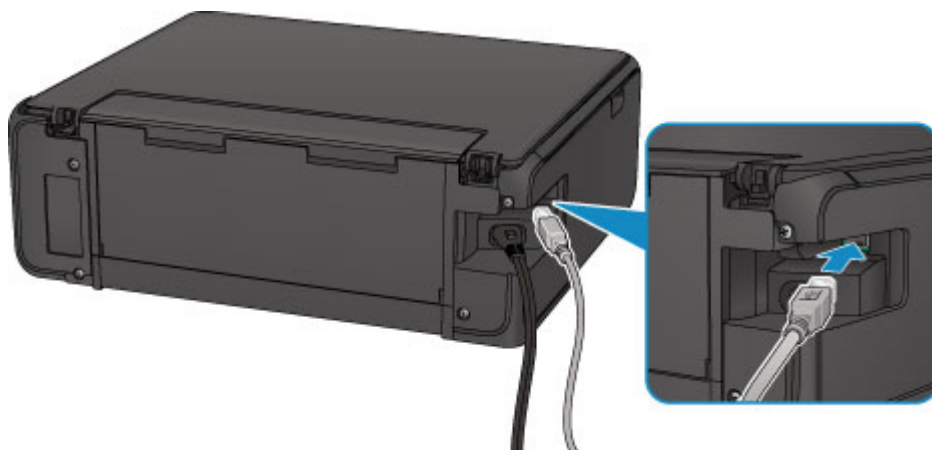


(1) 电源线连接器

在此插入附带的电源线。

(2) USB 端口

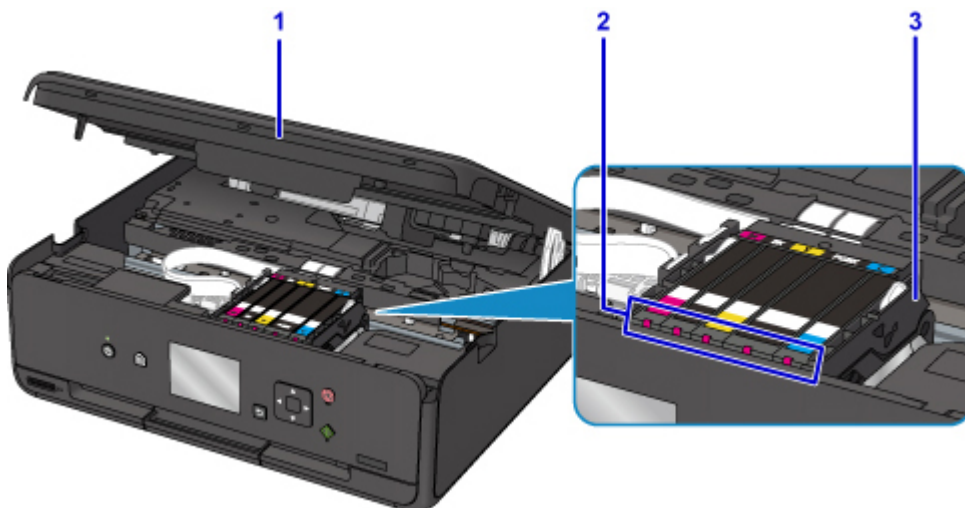
插入 USB 电缆线以连接打印机和计算机。



重要事项

- 请勿触摸金属外壳。
- 打印机正在通过计算机打印或扫描原稿时，请勿插入或拔出 USB 电缆线。

内部视图



(1) 扫描单元/机盖

扫描原稿。此外，将其抬起并打开以更换墨水盒，检查墨水指示灯，或取出打印机内部的卡纸。

(2) 墨水指示灯

亮起或闪烁以指示墨水盒状态。

■ [通过墨水指示灯检查墨水状态](#)

(3) 打印头固定器

打印头是预先安装的。

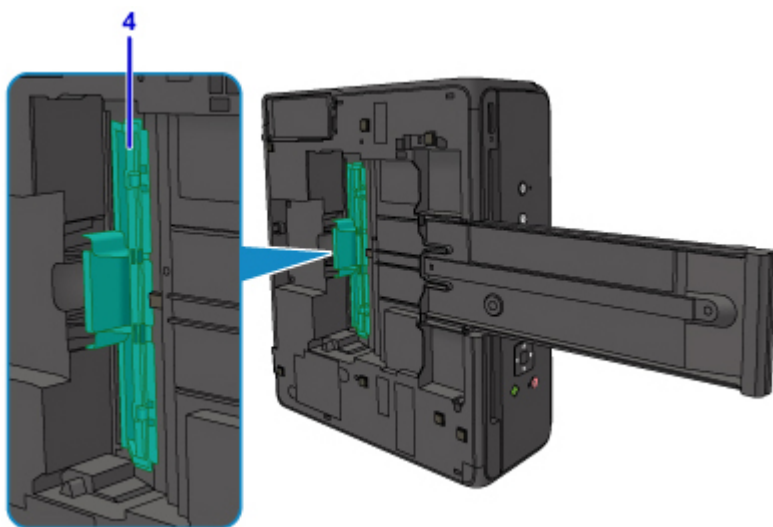
►► 注释

- 有关更换墨水盒的详细资料，请参见[更换墨水盒](#)。

底部

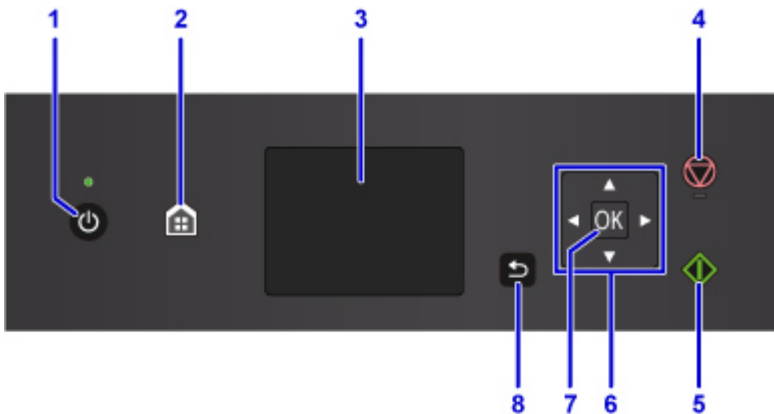
(4) 底盖

取出卡纸时打开。



操作面板

* 下图操作面板上的所有指示灯亮起均为示例所用。



(1) 电源按钮/电源指示灯

打开或关闭电源。电源开启时，闪烁后亮起。开启电源前，请确保文档盖板处于关闭状态。

(2) 主页按钮

用于显示主页屏幕。

■ [LCD 屏幕和操作面板](#)

(3) LCD 屏幕

显示信息、菜单项和工作状态。

(4) 停止按钮

取消正在进行的打印、复印或扫描作业。

(5) 启动按钮

开始复印、扫描等。

(6) ▲、▼、◀和▶按钮

用于选择菜单或设置项目。

■ [LCD 屏幕和操作面板](#)

(7) OK 按钮

完成菜单或设置项目的选择。此按钮也可用于清除错误。

(8) 返回按钮

将 LCD 屏幕返回至上一屏幕。

电源供应

- ▶ 确认电源已开启
- ▶ 开启和关闭打印机
- ▶ 检查电源插头/电源线
- ▶ 拔出打印机插头

确认电源已开启

打印机开启时，**电源**指示灯亮起。

即使 LCD 屏幕已关闭，如果**电源**指示灯亮起，则打印机仍处于开启状态。



注 释

- 开启打印机后，打印机可能需要一段时间才能立即开始打印。
- 如果大约 10 分钟内未操作打印机，则 LCD 屏幕将关闭。要恢复显示，请按除**电源**按钮以外的任何按钮或执行打印操作。无法更改 LCD 屏幕关闭前的等待时间。

开启和关闭打印机

开启打印机

1. 按**电源**按钮开启打印机。

电源指示灯闪烁，然后持续亮起。

■ [确认电源已开启](#)



➤➤ 注释

- 开启打印机后，打印机可能需要一段时间才能立即开始打印。
- 如果 LCD 屏幕上显示错误信息，请参见[发生错误](#)。
- 可以将打印机设置为在从通过 USB 电缆线或无线网络连接的计算机执行打印或扫描操作时自动开启。此功能默认设置为关闭。

从打印机

■ [环保设置](#)

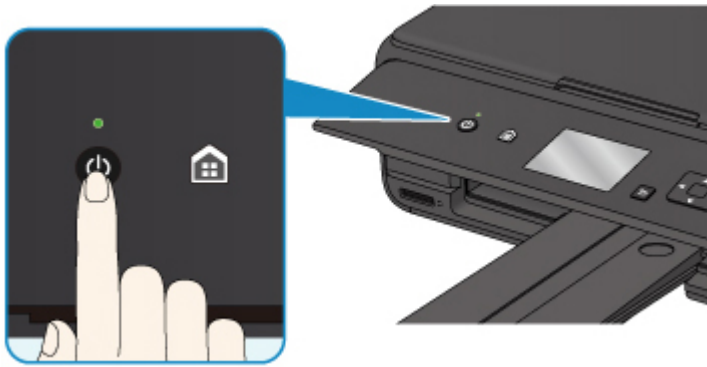
从计算机

- 对于 Windows:
 - [管理打印机电源](#)
- 对于 Mac OS:
 - [管理打印机电源](#)

关闭打印机

1. 按**电源**按钮关闭打印机。

电源指示灯停止闪烁时，打印机关闭。



重要事项

- 关闭打印机后拔出电源线时，请务必确认电源指示灯已熄灭。

注释

- 可以设置打印机在一定间隔时间中未执行操作或无打印作业发送至打印机时自动关闭。此功能默认设置为开启。

从打印机

- [环保设置](#)

从计算机

- 对于 Windows:
 - [管理打印机电源](#)
- 对于 Mac OS:
 - [管理打印机电源](#)

检查电源插头/电源线

每月拔出电源线一次以确认电源插头/电源线没有任何下列异常。

- 电源插头/电源线过热。
- 电源插头/电源线生锈。
- 电源插头/电源线弯曲。
- 电源插头/电源线磨损。
- 电源插头/电源线破裂。

注意

- 如果发现电源插头/电源线有任何上述异常，请[拔出打印机插头](#)并联系客户支持中心。在上述任一异常情况下使用打印机可能造成火灾或触电。

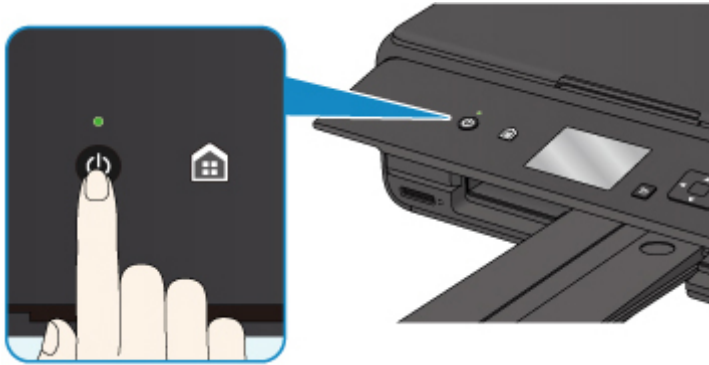
拔出打印机插头

要拔出电源线，请按照以下步骤操作。

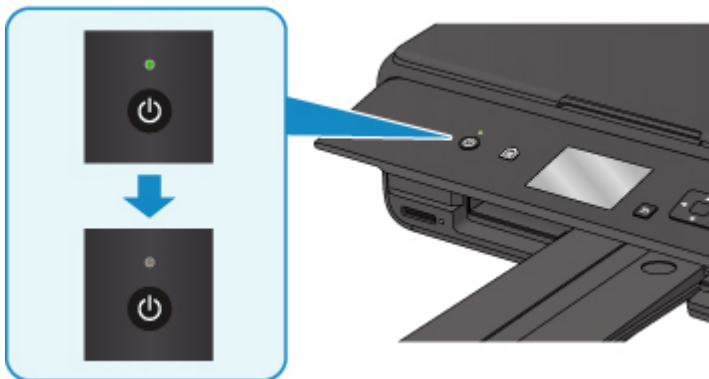
重要事项

- 拔出电源线时，按**电源**按钮，然后确认**电源**指示灯已熄灭。在**电源**指示灯亮起或闪烁时拔出电源线，可能会造成打印头变干或堵塞，打印质量可能会降低。

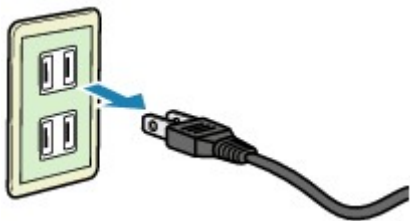
1. 按**电源**按钮关闭打印机。



2. 确认**电源**指示灯已熄灭。



3. 拔出电源线。



根据使用本机所在的国家或地区的不同，电源线的规格也不同。

LCD 屏幕和操作面板

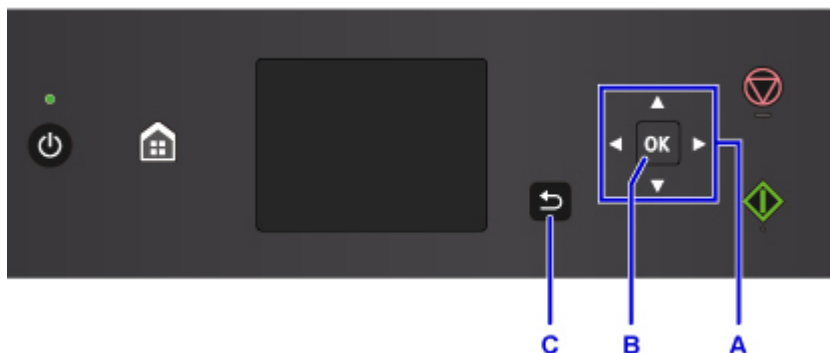
可以从 LCD 屏幕的主页屏幕上选择功能，如复印或扫描。

在主页屏幕上选择某个菜单，然后在该菜单屏幕或设置屏幕上选择一个项目或选项。

■ 主页屏幕上的操作

使用▲、▼、◀或▶按钮(A)选择菜单、项目或选项，然后按 **OK** 按钮(B)完成选择或继续执行下一步骤。

要返回至上一屏幕，请按**返回**按钮(C)。



主页屏幕上的操作

从主页屏幕显示菜单屏幕或设置屏幕。



D. 基本菜单

使用操作面板选择复印或扫描。选择基本菜单后，将显示详细菜单。

E. 网络状态

显示当前网络状态。选择以显示基本网络信息或更改网络设置。

根据所使用的网络或网络状态，图标会有所不同。



已启用无线 LAN 且打印机连接到无线路由器。

»» 注释

- 图标会根据信号状态而改变。



(信号强度：81%或更强)：可以顺利通过无线 LAN 使用打印机。



(信号强度：51%或更强)：根据网络状态，可能会出现打印机无法打印等问题。建议将打印机放置在靠近无线路由器的位置。



(信号强度：50%或更弱)：可能会出现打印机无法打印等问题。将打印机放置在靠近无线路由器的位置。



已启用无线 LAN，但打印机未连接到无线路由器。



无线直连已启用。



无线 LAN 已禁用。

F. 设置

显示打印机的设置菜单或维护菜单。

G. 快速指南

显示装入纸张、更换墨水盒或故障排除办法的指南。

更改设置

- ▶ [从您的计算机中更改打印机设置\(Windows\)](#)
- ▶ [从您的计算机中更改打印机设置\(Mac OS\)](#)
- ▶ [从操作面板更改设置](#)
- ▶ [使用 Web 浏览器更改打印机的设置](#)

从您的计算机中更改打印机设置(Mac OS)

- ▶ [注册已更改的打印配置文件](#)
- ▶ [管理打印机电源](#)
- ▶ [更改打印机操作模式](#)

注册已更改的打印配置文件

您可以命名并注册在**打印对话框**中设置的打印配置文件。已注册的打印设置可以从要使用的**预置**中调用。您也可以删除不需要的打印配置文件。

注册打印配置文件的步骤如下：

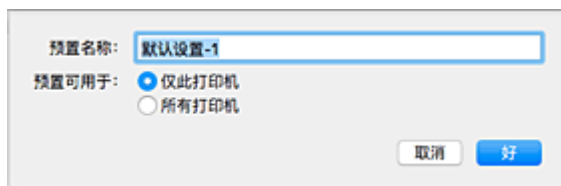
注册打印配置文件

1. 在打印对话框中，设置必要的项目
2. 从**预置**中选择**将当前设置存储为预置...**



3. 保存设置

在显示的对话框中，在**预置名称**中输入名称，如果有必要，设置**预置可用于**。然后单击**好**。



重要事项

- 也存在无法保存至预置的打印设置。

使用已注册的打印配置文件

1. 在打印对话框中的**预置**上，选择要使用的打印配置文件的名称
打印对话框中的打印配置文件将更新为需要的配置文件。

删除不需要的打印配置文件

1. 选择要删除的打印配置文件

在打印对话框中的**预置**部分中，选择**显示预置...**。然后，在出现的对话框中，选择要删除的打印配置文件的名称。

2. 删除打印配置文件

单击**删除**，然后单击**好**。将从**预置**中删除所选的打印配置文件。

管理打印机电源

使用该功能可以从打印机驱动程序管理打印机电源。

管理打印机电源的步骤如下：



电源关闭

电源关闭功能可以关闭打印机电源。当使用该功能时，您将无法从打印机驱动程序打开打印机电源。

1. 从 [Canon IJ Printer Utility2](#) 上的弹出菜单中选择**电源设置**

2. 执行电源关

单击**电源关闭**，出现确认信息时，单击**好**。
打印机电源关闭。



自动电源

利用**自动电源**可以设置**自动电源开启**和**自动电源关闭**。

自动电源开启功能将在接收到数据时自动打开打印机电源。

当打印机驱动程序或打印机在指定时段内未进行任何操作时，**自动电源关闭**功能将自动关闭打印机电源。

1. 从 [Canon IJ Printer Utility2](#) 上的弹出菜单中选择**电源设置**

2. 确认打印机是否已开启，然后单击**自动电源**

显示一个对话框。

▶▶▶ 注释

- 如果打印机关闭或打印机与计算机之间的通讯被禁用，由于计算机无法收集打印机状态信息，可能会出现一条错误信息。

3. 如有必要，完成以下设置：

自动电源开启

在列表中指定**启用**并单击**好**将在接收到打印数据时打开打印机电源。

自动电源关闭

从列表中指定时间。当打印机驱动程序或打印机在该时段内未进行任何操作时，打印机将自动关闭。

4. 应用设置

出现确认信息时，单击**好**。

此后将启用设置。当想要禁用该功能时，请根据相同步骤从列表中选择**禁用**。

更改打印机操作模式

如有必要，可以在打印机的多种操作模式之间进行切换。

配置**用户定义设置**的步骤如下：

1. 确保打印机已开启，然后从 [Canon IJ Printer Utility2](#) 的弹出菜单中选择**用户定义设置**

注 释

- 如果计算机无法连接打印机，由于计算机无法访问设置在打印机上的功能信息，所以会出现一条信息。
如果发生此情况，单击**取消**可显示在计算机上新近指定的设置。

2. 如有必要，完成以下设置：

墨水晾干等待时间

打印下一页之前，可以设置打印机等待时间的长度。向右移动滑块将增加暂停时间，向左移动将减少暂停时间。

如果在打印页墨水晾干之前下一页已经输出从而导致纸张脏污，请增加墨水晾干等待时间。

减少墨水晾干等待时间可以加快打印速度。

防止纸张磨损

高密度打印时，打印机可以增加打印头和纸张之间的空隙以防止纸张磨损。

选中此复选框以防止纸张磨损。

手动对齐打印头

通常，Canon IJ Printer Utility2 中的弹出菜单上**测试打印的打印头对齐**功能设置为自动打印头对齐，但是可以将其更改为手动打印头对齐。

如果自动打印头对齐的打印结果不令人满意，请执行手动打印头对齐。

选中该复选框以执行手动打印头对齐。不选中此复选框以执行自动打印头对齐。

从计算机打印时不要检测纸张设置不匹配

从计算机打印文档且打印对话框上的纸张设置与打印机上注册的纸张信息不匹配时，该设置禁止信息显示并允许继续打印。

要禁用纸张设置不匹配检测，请选中该复选框。

3. 应用设置

单击**应用**，出现确认信息时，单击**好**。

此后，打印机将按照修改后的设置运行。


从操作面板更改设置

- ▶ 从操作面板更改设置
- ▶ 操作面板上的设置项目
- ▶ 打印设置
- ▶ LAN 设置
- ▶ 设备用户设置
- ▶ PictBridge 打印设置
- ▶ 语言选择
- ▶ 固件更新
- ▶ 送纸设置
- ▶ 重置设置
- ▶ Web 服务设置
- ▶ 系统信息
- ▶ 环保设置
- ▶ 静音设置

从操作面板更改设置

本节以指定**复印扩展量**的步骤为例，描述在**设备设置**屏幕中更改设置的步骤。

1. [确保打印机已开启。](#)

2. 在主页屏幕上选择  **设置**。

■ [LCD 屏幕和操作面板](#)

3. 选择  **设置**。

4. 选择  **设备设置**。

显示**设备设置**屏幕。

5. 选择要调整的设置项目。

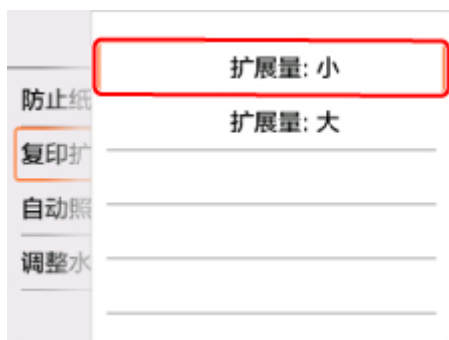


显示所选项目的设置屏幕。

6. 选择设置项目。



7. 选择要指定的设置。



有关操作面板上设置项目的更多信息，请参见：

- [操作面板上的设置项目](#)

操作面板上的设置项目

针对打印机的项目

- [设备用户设置](#)
- Web 服务设置
- [语言选择](#)
- [环保设置](#)
- 静音设置

针对纸张/打印的项目

- [打印设置](#)
- [送纸设置](#)
- PictBridge 打印设置

针对维护/管理的项目

- [系统信息](#)
- [固件更新](#)
- [LAN 设置](#)
- [重置设置](#)

打印设置

• 防止纸张磨损

仅在打印面出现脏污时使用此设置。

▶▶▶ 重要事项

- 打印完成后务必将此设置重新设置为关，否则可能导致打印速度变慢或打印质量降低。

• 复印扩展量

进行无边距(x1)打印时，选择图像扩展到纸张之外的扩展量。

因为复印的图像被放大到填充整个页面，可能会稍微裁剪边缘处的部分图像。可以根据需要更改要从原稿图像边缘裁剪的宽度。

▶▶▶ 重要事项

- 在以下情况下可以应用此设置：
 - 执行无边距复印
 - 复印打印的照片时将边距选择为无边距

▶▶▶ 注释

- 如果执行无边距打印时打印输出仍带有边距，将此设置指定为**扩展量: 大**可能有助于解决问题。

• 自动照片修复设置

选择了**开**时，可以选择是否在以下情况下使用记录在图像文件中的 Exif 信息打印照片。

- 从存储卡打印时将**照片修复**选择为**自动照片修复**。
- 使用兼容 PictBridge(无线 LAN)的设备打印时，兼容 PictBridge(无线 LAN)的设备上的打印设置设置为**默认***或**开**。

* 将兼容 PictBridge(无线 LAN)的设备中的打印设置选择为**默认**时，请在 **PictBridge 打印设置**中为**照片修复**选择**自动照片修复**。

• 调整水平打印位置

调整左/右边距未对齐时的打印位置。

以纸张的水平中线为中心，以 0.1 毫米/0.01 英寸为增量在-3 毫米/-0.12 英寸和+3 毫米/+0.12 英寸之间调整左/右边距。

▶▶▶ 重要事项

- 对于 Letter 尺寸或 Legal 尺寸的纸张，即使指定超过 1.5 毫米/0.06 英寸的数值，也只能在-1.5 毫米/-0.06 英寸和+1.5 毫米/+0.06 英寸之间调整左/右边距。

LAN 设置

- [无线 LAN](#)
- [无线直连](#)
- [通用设置](#)

无线 LAN

• 启用/停用无线 LAN

启用/禁用无线 LAN。

• 无线 LAN 设置

选择用于无线 LAN 连接的设置方法。

◦ 简易无线连接

如果不操作无线路由器而从设备(例如智能手机或平板电脑)直接对打印机进行访问点信息设置, 请选择此项。按照连接设备屏幕上的说明执行设置步骤。

◦ 手动连接

使用打印机上的操作面板手动执行无线 LAN 设置时选择该方法。

◦ WPS(单键方法)

使用支持 Wi-Fi Protected Setup(WPS)单键方法的无线路由器执行无线 LAN 的设置时选择该方法。设置时请按照屏幕上的说明进行操作。

◦ 其他设置

■ 高级设置

手动执行无线 LAN 设置时选择该方法。可以指定多个 WEP 密钥。

■ WPS(PIN 编码方法)

使用支持 Wi-Fi Protected Setup(WPS)PIN 编码方法的无线路由器执行无线 LAN 的设置时选择该方法。设置时请按照屏幕上的说明进行操作。

• 无线 LAN 设置列表

本打印机的无线 LAN 设置列表显示在 LCD 屏幕上。

选择打印详细信息, 然后点击是打印列表。

■ [打印网络设置](#)

▶▶▶ 重要事项

- 此网络设置打印输出包含关于网络的重要信息。请小心处理。

显示以下设置项目。(根据打印机设置, 某些设置项目不会显示。)

项目	设置
SSID	XXXXXXXXXXXXXXXXXX XXXXXXXXXXXXXXXXXX(最多 32 个字符)

无线 LAN 安全	未连接/WEP(64 位)/WEP(128 位)/WPA-PSK(TKIP)/WPA-PSK(AES)/WPA2-PSK(TKIP)/WPA2-PSK(AES)
信号强度(%)	XXX
IPv4 地址	XXX. XXX. XXX. XXX(12 个字符)
IPv4 子网掩码	XXX. XXX. XXX. XXX(12 个字符)
IPv4 默认网关	XXX. XXX. XXX. XXX(12 个字符)
IPv6 地址	XXXX: XXXX: XXXX: XXXX: XXXX: XXXX: XXXX: XXXX(32 个字符)
无线 LAN 的 MAC 地址	XX:XX:XX:XX:XX:XX(12 个字符)
打印机名称	XXXXXXXXXXXXXXXXXX(最多 15 个字符)
Bonjour 服务名称	XXXXXXXXXXXXXXXXXX XXXXXXXXXXXXXXXXXX XXXXXXXXXXXXXXXXXX XXXXXXXXXXXXXXXXXX(最多 52 个字符)
根证书指纹(SHA-1)	XXXXXXXXXX XXXXXXXXXXXX XXXXXXXXXXXX XXXXXXXXXX XXXXXXXXXXXX
根证书指纹(SHA-256)	XXXXXXXXXX XXXXXXXXXXXX XXXXXXXXXXXX XXXXXXXXXXXX XXXXXXXXXX XXXXXXXXXXXX XXXXXXXXXXXX XXXXXXXXXXXX

(“XX”表示字母数字字符。)

无线直连

- 启用/停用无线直连

启用/禁用无线直连。

- 更新 SSID/密码

选择是更新无线直连的标识符(SSID)和密码。

- 更改设备名称

更改在兼容 Wi-Fi Direct 的设备上显示的打印机名称。

- 确认连接请求

兼容 Wi-Fi Direct 的设备连接打印机时，选择是将显示确认屏幕。

- 无线直连设置列表

本打印机的无线直连设置列表显示在 LCD 屏幕上。

选择打印详细信息，然后点击是以打印列表。

- [打印网络设置](#)

▶▶▶ 重要事项

- 此网络设置打印输出包含关于网络的重要信息。请小心处理。

显示以下设置项目。(根据打印机设置,某些设置项目不会显示。)

项目	设置
SSID	DIRECT-XXXX-TS5000series
密码	XXXXXXXXXX(10 个字符)
无线 LAN 安全	WPA2-PSK(AES)
IPv4 地址	XXX.XXX.XXX.XXX(12 个字符)
IPv4 子网掩码	XXX.XXX.XXX.XXX(12 个字符)
IPv4 默认网关	XXX.XXX.XXX.XXX(12 个字符)
IPv6 地址	XXXX:XXXX:XXXX:XXXX: XXXX:XXXX:XXXX:XXXX(32 个字符)
无线 LAN 的 MAC 地址	XX:XX:XX:XX:XX:XX(12 个字符)
打印机名称	XXXXXXXXXXXXXXXXXX(最多 15 个字符)
Bonjour 服务名称	XXXXXXXXXXXXXXXXXX XXXXXXXXXXXXXXXXXX XXXXXXXXXXXXXXXXXX XXXXXXXXXXXXXXXXXX(最多 52 个字符)
无线直连的设备名称	XXXXXX-XXXXXXseries
现在连接的设备数量	XX/XX
根证书指纹(SHA-1)	XXXXXXXXXX XXXXXXXXXXXX XXXXXXXXXXXX XXXXXXXXXX XXXXXXXXXXXX
根证书指纹(SHA-256)	XXXXXXXXXX XXXXXXXXXXXX XXXXXXXXXXXX XXXXXXXXXXXX XXXXXXXXXX XXXXXXXXXXXX XXXXXXXXXXXX XXXXXXXXXXXX

(“XX”表示字母数字字符。)

通用设置

• 设置打印机名称

指定打印机名称。该名称最多可以使用 15 个字符。

▶▶▶ 注释

- 不能使用与 LAN 连接的其他设备已使用的打印机名称相同的名称。
- 不能使用连字符作为打印机名称的首字符或最后一个字符。

• TCP/IP 设置

执行 IPv4 或 IPv6 设置。

• WSD 设置

在使用 WSD(Windows 8.1、Windows 8、Windows 7 和 Windows Vista 环境下支持的网络协议之一)时设置项目。

- **启用/禁用 WSD**

选择启用或禁用 WSD。

▶▶▶ **注释**

- 启用此设置时，Windows 8.1、Windows 8、Windows 7 和 Windows Vista 环境下的 Network Explorer 上会显示打印机图标。

- **优化进站 WSD**

选择**启用**可以更快地接收 WSD 打印数据。

- **从本设备进行 WSD 扫描**

选择**启用**可以使用 WSD 将扫描的数据传送到计算机。

- **超时设置**

指定超时时间。

- **Bonjour 设置**

使用 Mac OS 的 Bonjour 设置 LAN 项目。

- **启用/禁用 Bonjour**

选择**启用**可以使用 Bonjour 执行网络设置。

- **服务名称**

指定 Bonjour 服务名称。该名称最多可以使用 48 个字符。

▶▶▶ **注释**

- 不能使用与 LAN 连接的其他设备已使用的服务名称相同的名称。

- **LPR 协议设置**

启用/禁用 LPR 设置。

- **RAW 协议**

启用/禁用 RAW 打印。

- **LLMNR**

启用/禁用 LLMNR(链路本地多播名称解析)。选择**启用**可使打印机通过打印机名称检测到打印机的 IP 地址，而无需 DNS 服务器。

- **PictBridge 通讯**

从兼容 PictBridge(无线 LAN)的设备设置打印项目。

- **启用/禁用通讯**

选择**启用**可以从兼容 PictBridge(无线 LAN)的设备进行打印。

- **超时设置**

指定超时时间。

- **IPsec 设置**

选择**启用**可以指定 IPsec 安全。

设备用户设置

• 日期显示格式

更改打印时日期的显示格式。

▶▶▶ 注释

- 从存储卡打印且在打印设置屏幕上将**打印日期**选择为**开**时，会按照所选日期显示格式打印日期。

■ [使用操作面板设置照片打印的项目](#)

• 读/写属性

选择是否允许将数据从计算机写入存储卡。

▶▶▶ 重要事项

- 更改此设置前，请取出存储卡。
 - 将存储卡插槽设置为计算机的存储卡驱动器
- 如果将该设置设置为**从 USB 连接计算机可写**，则无法使用本机的操作面板打印存储卡上的照片。完成对存储卡专用驱动器的操作之后，请务必将此设置恢复为**从计算机不可写**。关闭本机时，**从 USB 连接计算机可写**将被取消，并且下次开启本机时该设置将恢复为**从计算机不可写**。
- 选择**从 USB 连接计算机可写**时，不启用自动电源关闭设置。

有关自动电源关闭设置的更多信息，请参见：

■ [环保设置](#)

• 按键重复

设置份数、更改在 LCD 屏幕上显示的照片、设置缩放比例等时，按住▲、▼、◀或▶按钮可启用/禁用连续输入。

• 设备信息发送设置

选择是否将打印机使用信息发送至 Canon 服务器。发送至 Canon 的信息将用于开发更好的产品。选择**同意**将打印机使用信息发送至 Canon 服务器。

• 节能设置

可以自动开启/关闭打印机以节省电量。

◦ 自动电源关闭

指定打印机在多长时间未执行任何操作或无打印数据发送到打印机时自动关闭。

◦ 自动电源开启

选择**开**可以使打印机在有来自计算机的扫描命令或打印数据发送至打印机时自动开启。

- 也可以通过选择主页屏幕上的**环保设置**和**节能设置**进入此设置菜单。

■ [环保设置](#)

• 文档取出提醒

选择打印机是否显示提示屏幕，以防止扫描后忘记从稿台玻璃上取下原稿。

重要事项

- 根据原稿类型或文档盖板状态的不同，可能无法检测是否忘记取下原稿。

语言选择

更改 LCD 屏幕上信息和菜单的语言。

固件更新

可以更新打印机的固件、检查固件版本或执行通知屏幕、DNS 服务器和代理服务器的设置。

注 释

- 当 LAN 设置中无线 LAN 的启用/停用无线 LAN 选择为停用时，仅检查当前版本可用。

• 安装更新

执行打印机的固件更新。如果选择是，固件更新开始。按照屏幕上的说明来执行更新。

重 要 事 项

- 使用此功能时，确保打印机已连接到互联网。

注 释

- 如果固件更新未完成，请检查以下各项并采取适当措施。
 - 检查网络设置，如无线路由器。
 - 如果 LCD 屏幕上显示“无法连接至服务器。”，请选择 **OK**，然后过一段时间后重试。

• 检查当前版本

可以检查当前固件版本。

• 更新通知设置

选择是且固件更新可用时，LCD 屏幕上会显示提示固件更新的屏幕。

• DNS 服务器设置

执行 DNS 服务器设置。选择自动设置或手动设置。如果选择手动设置，按照 LCD 屏幕上的显示执行设置。

• 代理服务器设置

执行代理服务器设置。按照 LCD 屏幕上的显示执行设置。

送纸设置

通过注册装入后端托盘的纸张尺寸和介质类型，可以在装入纸张的尺寸或介质类型与打印设置不同时先显示信息然后再开始打印，从而防止打印机误打印。

有关详细资料：

■ 纸张设置

• 注册纸张信息

注册装入后端托盘中的纸张尺寸和介质类型。

▶▶▶ 注释

- 有关可以通过打印机驱动程序或在 LCD 屏幕上指定的纸张设置组合的更多信息：

- 对于 Windows：

- [打印机驱动程序和打印机上的纸张设置\(介质类型\)](#)
- [打印机驱动程序和打印机上的纸张设置\(纸张尺寸\)](#)

- 对于 Mac OS：

- [打印机驱动程序和打印机上的纸张设置\(介质类型\)](#)
- [打印机驱动程序和打印机上的纸张设置\(纸张尺寸\)](#)

• 检测纸张设置不匹配

如果选择**是**，打印机将检测纸张尺寸和介质类型是否与**注册纸张信息**中注册的信息一致。如果使用不匹配的设置开始打印，LCD 屏幕上会显示错误信息。

▶▶▶ 注释

- 选择**否**时，将禁用**注册纸张信息**。

重置设置

可以将设置恢复为默认值。

- **仅 Web 服务设置**

将 Web 服务设置恢复为默认值。

- **仅 LAN 设置**

将 LAN 设置恢复为默认值。

- **仅设置**

将纸张尺寸或介质类型的设置恢复为默认值。

- **仅设备信息发送设置**

仅将设备信息发送设置还原为默认值。

- **全部重置**

将对打印机进行的全部设置设定为默认设置。远程用户界面或 IJ Network Device Setup Utility 指定的管理员密码恢复为默认设置。

▶▶▶ 注释

- 无法将以下设置项目恢复为默认值：
 - LCD 屏幕上显示的语言
 - 打印头的当前位置
 - 用于加密方法(SSL/TLS)设置的 CSR(证书签名请求)

系统信息



要显示此菜单，请选择

设置上的



系统信息。

- **当前版本**

显示当前固件版本。

- **打印机名称**

显示当前指定的打印机名称。

- **序列号**

显示打印机序列号。


- **无线 LAN 的 MAC 地址**

显示无线 LAN 的 MAC 地址。

环保设置

此设置可以自动开启/关闭打印机以节省电量。

1. [确保打印机已开启。](#)

2. 在主页屏幕上选择  设置。

■ [LCD 屏幕和操作面板](#)

3. 选择  设置。

4. 选择  环保。

5. 检查屏幕上的说明，然后选择下一步。

6. 根据需要指定设置。



A. 指定打印机在多长时间未执行任何操作或无打印数据发送到打印机时自动关闭。

B. 选择**开**可以使打印机在有来自计算机的扫描命令或打印数据发送至打印机时自动开启。

网络连接

- ▶ [网络连接提示](#)

网络连接提示

- ▶ 默认网络设置
- ▶ 找到其他具有相同名称的打印机
- ▶ 通过 LAN 连接到其他计算机/从 USB 更改为 LAN 连接
- ▶ 打印网络设置
- ▶ 更改无线 LAN 连接方法

默认网络设置

LAN 连接默认值

项目	默认
启用/禁用 LAN	禁用 LAN
SSID	BJNPSETUP
无线 LAN 安全	禁用
IP 地址 (IPv4)	自动设置
IP 地址 (IPv6)	自动设置
设置打印机名称*	XXXXXXXXXXXX
启用/禁用 IPv6	启用
启用/禁用 WSD	启用
超时设置	15 分钟
启用/禁用 Bonjour	启用
服务名称	Canon TS5000 series
LPR 协议设置	启用
RAW 协议	启用
LLMNR	启用
PictBridge 通讯	启用

(“XX”表示字母数字字符。)

* 默认值因打印机而异。要检查默认值，请使用操作面板。

■ LAN 设置

无线直连默认值

项目	默认
SSID(无线直连标识符)	DIRECT-abXX-TS5000series *1
密码	YYYYYYYYYYY *2
无线 LAN 安全	WPA2-PSK(AES)
无线直连的设备名称	ZZZZZ-TS5000series *3
确认连接请求	显示

*1 “ab”为随机指定而“XX”表示打印机 MAC 地址的最后两位数字。(首次开启打印机时指定该值。)

*2 首次开启打印机时自动指定该密码。

*3 “ZZZZZZ” 表示打印机 MAC 地址的最后六位数字。

找到其他具有相同名称的打印机

设置过程中找到打印机时，结果屏幕上可能会出现其他具有相同名称的打印机。

对照检测结果屏幕上的设置查看打印机设置，从而选择打印机。

- 对于 Windows:

查看打印机的 MAC 地址或序列，从结果中选择正确的打印机。

- 对于 Mac OS:

打印机名称显示为末尾添加 MAC 地址的名称，或显示为由 Bonjour 指定的打印机名称。

检查标识符，如 MAC 地址、由 Bonjour 指定的打印机名称以及打印机的序列号，从出现的打印机中选择打印机。

注 释

- 序列号可能未显示在结果屏幕上。

使用以下任一方法检查打印机的 MAC 地址和序列号。

- LCD 屏幕显示。

MAC 地址

■ [LAN 设置](#)

序列号

■ [系统信息](#)

- 打印网络设置。

■ [打印网络设置](#)

通过 LAN 连接到其他计算机/从 USB 更改为 LAN 连接

■ [对于 Windows:](#)

■ [对于 Mac OS:](#)

对于 Windows:

要在 LAN 上添加计算机以连接到打印机或从 USB 更改为 LAN 连接，请使用安装光盘执行设置或按照 Canon 网站上的说明进行设置。

对于 Mac OS:

要通过 LAN 将其他计算机连接到打印机，或从 USB 更改为 LAN 连接，请按照 Canon 网站上的说明进行设置。

打印网络设置

使用操作面板打印打印机的当前网络设置。

重要事项

- 此网络设置打印输出包含关于网络的重要信息。 请小心处理。

1. [确保打印机已开启。](#)

如果未显示主页屏幕，请按主页按钮。

2. [装入两张 A4 或 Letter 尺寸的普通纸。](#)

3. 选择 (网络状态)图标。

■ [使用操作面板](#)

出现菜单屏幕。

4. 查看信息，并选择是。

5. 选择打印详细信息。

6. 选择是。

打印机开始打印网络设置信息。

打印的网络设置信息如下：(根据打印机设置，某些设置值不会显示。)

项目	描述	设置
Product Information	产品信息	-
Product Name	产品名称	XXXXXXXX
ROM Version	ROM 版本	XXXXXXXX
Serial Number	序列号	XXXXXXXX
Wireless LAN	无线 LAN	Enable/Disable
MAC Address	MAC 地址	XX:XX:XX:XX:XX:XX
Infrastructure	基础结构	Enable/Disable
Connection	连接状态	Active/Inactive
SSID	SSID	无线 LAN SSID
Channel	通道	XX(1 到 11)
Encryption	加密方法	None/WEP/TKIP/AES

WEP Key Length	WEP 密钥长度(位)	Inactive/128/64
Authentication	验证方法	None/auto/open/shared/WPA-PSK/WPA2-PSK
Signal Strength	信号强度	0 到 100[%]
TCP/IPv4	TCP/IPv4	Enable
IP Address	IP 地址	XXX.XXX.XXX.XXX
Subnet Mask	子网掩码	XXX.XXX.XXX.XXX
Default Gateway	默认网关	XXX.XXX.XXX.XXX
TCP/IPv6	TCP/IPv6	Enable/Disable
Link Local Address	本地链路地址	XXXX:XXXX:XXXX:XXXX XXXX:XXXX:XXXX:XXXX
Link Local Prefix Length	本地链路前缀长度	XXX
Stateless Address1	无状态地址 1	XXXX:XXXX:XXXX:XXXX XXXX:XXXX:XXXX:XXXX
Stateless Prefix Length1	无状态前缀长度 1	XXX
Stateless Address2	无状态地址	XXXX:XXXX:XXXX:XXXX XXXX:XXXX:XXXX:XXXX
Stateless Prefix Length2	无状态前缀长度 2	XXX
Stateless Address3	无状态地址 3	XXXX:XXXX:XXXX:XXXX XXXX:XXXX:XXXX:XXXX
Stateless Prefix Length3	无状态前缀长度 3	XXX
Stateless Address4	无状态地址 4	XXXX:XXXX:XXXX:XXXX XXXX:XXXX:XXXX:XXXX
Stateless Prefix Length4	无状态前缀长度 4	XXX
Default Gateway1	默认网关 1	XXXX:XXXX:XXXX:XXXX XXXX:XXXX:XXXX:XXXX
Default Gateway2	默认网关 2	XXXX:XXXX:XXXX:XXXX XXXX:XXXX:XXXX:XXXX
Default Gateway3	默认网关 3	XXXX:XXXX:XXXX:XXXX XXXX:XXXX:XXXX:XXXX
Default Gateway4	默认网关 4	XXXX:XXXX:XXXX:XXXX XXXX:XXXX:XXXX:XXXX
IPsec	IPsec 设置	Active

Security Protocol	安全方法	ESP/ESP & AH/AH
Wireless Direct	无线直连	Enable/Disable
Connection	连接状态	Active/Inactive
SSID	SSID	无线直连 SSID
Password	密码	无线直连密码(10 个字母数字字符)
Channel	通道	3
Encryption	加密方法	AES
Authentication	验证方法	WPA2-PSK
TCP/IPv4	TCP/IPv4	Enable
IP Address	IP 地址	XXX.XXX.XXX.XXX
Subnet Mask	子网掩码	XXX.XXX.XXX.XXX
Default Gateway	默认网关	XXX.XXX.XXX.XXX
TCP/IPv6	TCP/IPv6	Enable/Disable
Link Local Address	本地链路地址	XXXX:XXXX:XXXX:XXXX XXXX:XXXX:XXXX:XXXX
Link Local Prefix Length	本地链路前缀长度	XXX
IPsec	IPsec 设置	Active
Security Protocol	安全方法	-
Other Settings	其他设置	-
Printer Name	打印机名称	打印机名称(最多 15 个字母数字字符)
Direct Conn. DevName	用于无线直连的设备名称(最多 32 个字符)	用于无线直连的设备名称
WSD Printing	WSD 打印设置	Enable/Disable
WSD Timeout	超时	1/5/10/15/20[分钟]
LPD Printing	LPD 打印设置	Enable/Disable
RAW Printing	RAW 打印设置	Enable/Disable
Bonjour	Bonjour 设置	Enable/Disable
Bonjour Service Name	Bonjour 服务名称	Bonjour 服务名称(最多 52 个字母数字字符)
LLMNR	LLMNR 设置	Enable/Disable
SNMP	SNMP 设置	Enable/Disable

PictBridge Commun.	PictBridge 通讯	Enable/Disable
DNS Server	自动包含 DNS 服务器地址	Auto/Manual
Primary Server	主服务器地址	XXX.XXX.XXX.XXX
Secondary Server	辅助服务器地址	XXX.XXX.XXX.XXX
Proxy Server	代理服务器设置	Enable/Disable
Proxy Address	代理地址	XXXXXXXXXXXXXXXXXXXXXXXXXX
Proxy Port	代理端口指定	1 到 65535
Cert. Fingerprt(SHA-1)	证书指纹(SHA-1)	XXXXXXXXXX XXXXXXXXXXXX XXXXXXXXXXXX XXXXXXXXXX XXXXXXXXXXXX
Cert. Fingerprt(SHA-256)	证书指纹(SHA-256)	XXXXXXXXXX XXXXXXXXXXXX XXXXXXXXXXXX XXXXXXXXXX XXXXXXXXXX XXXXXXXXXXXX XXXXXXXXXXXX XXXXXXXXXX

(“XX”表示字母数字字符。)

更改无线 LAN 连接方法

按照以下任一步骤更改无线 LAN 连接方法(架构或无线直连)。

• 对于 Windows:

- 使用安装光盘或按照 Canon 网站上的说明重新执行设置。
- 在 IJ Network Device Setup Utility 的**网络设置**屏幕上执行设置。

▶▶▶ 重要事项

- 使用 IJ Network Device Setup Utility 执行设置前，按照以下步骤在打印机上开启简易无线连接模式。

1. [确保打印机已开启。](#)

如果未显示主页屏幕，请按主页按钮。



2. 选择 (网络状态)图标。

■ 使用操作面板

3. 查看信息，并选择是。

4. 选择 **LAN 设置**。

5. 选择**无线 LAN**。

6. 选择**无线 LAN 设置**。

7. 选择**简易无线连接**。

8. 查看信息，并选择是。

按照智能手机或平板电脑上的说明进行操作。

9. 如果出现设置完成信息，选择 **OK**。

• 对于 Mac OS:

按照 Canon 网站上的说明重新执行设置。

确保获得最佳打印结果

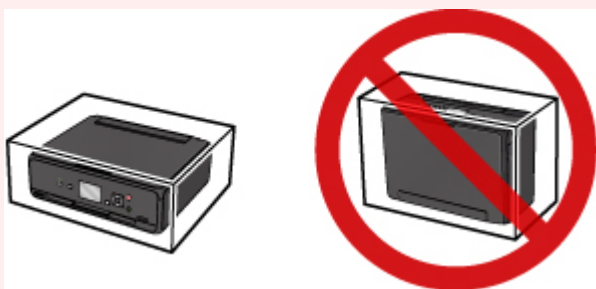
- ▶ 墨水提示
- ▶ 打印提示
- ▶ 打印前检查纸张设置
- ▶ 取消打印作业
- ▶ 打印机使用注意事项
- ▶ 装入纸张后设置后端托盘的纸张信息
- ▶ 保持高打印质量
- ▶ 运输打印机

运输打印机

重新放置打印机时，请确保下列情况。

重要事项

- 将打印机包装在坚固的箱子中，使其底部向下放置，使用充足的保护材料，以确保打印机运输安全。
- 在不取出打印机内安装的打印头和墨水盒的状态下，按**电源**按钮关闭电源。该功能可以使打印机自动盖住打印头，以防止其变干。
- 包装后，请勿倾斜装有打印机的箱子，或将其侧放或倒放。否则可能造成运输过程中墨水漏出并损坏打印机。
- 运输代理商运输打印机时，请在包装箱上标明“此面向上”，以使打印机保持底部向下。同时在包装箱上标明“易碎”或“小心轻放”。



1. 关闭打印机。
2. 确认**电源**指示灯已熄灭并**拔出电源线**。

重要事项

- 请勿在**电源**指示灯亮起或闪烁时拔出打印机插头，否则可能会造成打印机故障或损坏，以致打印机无法打印。

3. 收回出纸托盘，然后合上操作面板。
4. 关闭后端托盘。
5. 从计算机和打印机拔出打印机电缆线，然后从打印机拔出电源线。
6. 用粘贴胶带固定打印机上的所有盖板，以防在运输过程中打开。然后用塑料袋包装打印机。
7. 将打印机装入包装箱时，用保护材料包装打印机。

扫描/复印的法律限制

扫描、打印、复印或修改以下复印件可能会受到法律的制裁。

此列表为不完全清单。如有疑问，请咨询法律代表。

- 纸币
- 汇票
- 存款单
- 邮票(盖戳或未盖戳的)
- 身份识别卡或标志
- 义务兵役或征兵证件
- 政府机构签发的支票或汇票
- 机动车驾照和所有权证书
- 旅行支票
- 食品券
- 护照
- 移民证件
- 国内税收印花税票(盖戳或未盖戳的)
- 债券或其他债务凭证
- 股票
- 未经所有者许可的版权著作或艺术作品

规格

一般规格

打印分辨率(dpi)	4800*(水平) x 1200(垂直) * 墨滴最小间距为 1/4800 英寸。
接口	USB 端口: Hi-Speed USB *1 LAN 端口: 无线 LAN: IEEE802.11n / IEEE802.11g / IEEE802.11b *2 *1 需要使用符合 Hi-Speed USB 标准的计算机。由于 Hi-Speed USB 接口与 USB 1.1 完全向上兼容, 因此可以用于 USB 1.1。 *2 可以通过标准设置、WPS (Wi-Fi Protected Setup)、WCN (Windows Connect Now)或简易无线连接进行设置。 可以同时使用 USB 和 LAN。
打印宽度	203.2 毫米/8 英寸 (对于无边距打印: 216 毫米/8.5 英寸)
可打印区域	无边距打印: 上/下/左/右的边距: 0.0 毫米(0.00 英寸) 标准打印: -上边距: 3.0 毫米(0.12 英寸) -下边距: 5.0 毫米(0.20 英寸) -左边距: • Letter/Legal: 6.4 毫米(0.26 英寸) • 其他尺寸: 3.4 毫米(0.14 英寸) -右边距: • Letter/Legal: 6.3 毫米(0.25 英寸) • 其他尺寸: 3.4 毫米(0.14 英寸)
操作环境	温度: 5 到 35°C(41 到 95°F) 湿度: 10 到 90%RH(无结露) * 在一定温度和湿度条件下, 打印机的性能可能会有所降低。 推荐条件: 温度: 15 到 30°C(59 到 86°F) 湿度: 10 到 80%RH(无结露) * 有关纸张(如照片纸)的温度和湿度状况, 请参阅纸张的包装或附带的说明。
存储环境	温度: 0 到 40°C(32 到 104°F) 湿度: 5 到 95%RH(无结露)
电源供应	AC 100-240V, 50/60Hz
耗电功率	打印(复印): 约 12W 待机(最小): 约 0.8W *1*2

	关闭: 约 0.2W *1 *1 USB 连接至计算机 *2 无法更改待机等待时间。
外部尺寸	约 372(宽) x 315(深) x 126(高)毫米 约 14.7(宽) x 12.5(深) x 5.0(高)英寸 * 收回出纸托盘的状态下。
重量	约 5.5 千克(约 12.1 磅) * 安装有打印头和墨水盒的状态下。
打印头/墨水	共 4096 个喷嘴(PgBK 1024 个喷嘴、Y/DyeBK 各 512 个喷嘴、C/M 各 1024 个喷嘴)

复印规格

多页复印	最多 99 页
浓度调整	9 个级别, 自动浓度(AE 复印)
缩小 / 放大	25% - 400%(以 1%为单位)

扫描规格

扫描仪驱动程序	Windows: TWAIN 1.9 规格、WIA Mac OS: ICA
最大扫描尺寸	A4/Letter, 216 x 297 毫米/8.5" x 11.7"
扫描分辨率	最大光学分辨率(水平 x 垂直): 1200 x 2400dpi *1 最大插值分辨率: 19200 x 19200dpi *2 *1 光学分辨率表示基于 ISO 14473 的最大采样率。 *2 增加扫描分辨率将限制最大可扫描区域。
色阶(输入 / 输出)	灰度: 16 位/8 位 彩色: 48 位/24 位(RGB 各 16 位/8 位)

网络规格

通讯协议	TCP/IP
无线 LAN	支持的标准: IEEE802.11n / IEEE802.11g / IEEE802.11b 频率频宽: 2.4GHz 通道: 1-11 或 1-13 * 根据国家或地区, 频率频宽和可用通道有所不同。 通讯距离: 室内 50 米/164 英尺 * 根据安装环境和位置, 有效范围有所不同。 安全:

	WEP(64/128 位) WPA-PSK(TKIP/AES) WPA2-PSK(TKIP/AES) 设置: WPS(单键加密/PIN 编码方法) WCN(WCN-NET) 简易无线连接 其他功能: 管理密码
--	---

最低系统要求

如果所用操作系统高于此要求，即符合操作系统的要求。

Windows

操作系统	Windows 10、Windows 8.1*、Windows 8 Windows 7 SP1 Windows Vista SP2 * Windows 8.1 包括 Windows 8.1 更新。
硬盘空间	3.1GB 注释：用于安装随附软件。
显示器	XGA 1024 x 768

Mac OS

操作系统	OS X v10.8.5 - OS X v10.11
硬盘空间	1.5GB 注释：用于安装随附软件。
显示器	XGA 1024 x 768

其他支持的操作系统

各操作系统中某些功能可能无法使用。有关使用 iOS、Android、Windows RT 和 Windows 10 Mobile 进行操作的详细资料，请参阅 Canon 网站。

移动打印功能

Apple AirPrint
Google Cloud Print
PIXMA Cloud Link

- 使用 Easy-WebPrint EX 和全部在线手册需要连接互联网。
- Windows：只有在预先安装了 Windows Vista 或更高版本的计算机上才能保证正常工作。

- Windows: 软件安装时需要光盘驱动器或连接互联网。
- Windows: 要安装 Easy-WebPrint EX, 需要 Internet Explorer 8、9、10 或 11。
- Windows: 某些功能可能不适用于 Windows Media Center。
- Windows: 必须安装 .NET Framework 4.5.2 或 4.6 才能使用 Windows 软件。
- Windows: TWAIN 驱动程序(ScanGear)基于 TWAIN 1.9 规格且需要使用操作系统随附的数据源管理员。
- Mac OS: 对于 Mac OS, 软件安装时需要连接互联网。
- 在室内网络环境下, 必须打开 5222 端口。有关详细资料, 请联系网络管理员。

纸张相关信息

- ▶ 支持的介质类型
 - 纸张装入限量
- ▶ 不支持的介质类型
- ▶ 处理纸张
- ▶ 打印区域

支持的介质类型

为获得最佳效果，请选择针对您的打印方式设计的纸张。Canon 提供适合文档以及照片或插图的各种类型的纸张。请尽可能使用 Canon 原装纸张打印重要照片。

介质类型

Canon 原装纸张

▶▶▶ 注释

- 有关使用不可打印面的警告，请参见每个产品的使用信息。
- 有关页尺寸和介质类型的详细资料，请访问 Canon 网站。
- 某些国家/地区可能不提供 Canon 原装纸张。请注意，在美国，Canon 纸张不按型号销售。请按名称购买纸张。

用于打印文档的纸张：

- Canon Red Label Superior <WOP111>
- Canon Océ Office Colour Paper <SAT213>
- 高分辨率纸<HR-101N>[*1](#)

用于打印照片的纸张：

- 优质专业照片纸<PT-101>
- 光面照相纸"Everyday Use"<GP-501>
- 光面照相纸 <GP-701>
- 高级光面照片纸 II<PP-201>
- 高级光面照片纸 II <PP-301>
- 专业绒面照片纸<LU-101>
- 亚高光泽照片纸<SG-201>
- 无光泽照片纸<MP-101>

除 Canon 原装纸张以外的纸张

- 普通纸(包括再生纸)
- 信封[*1](#)
- T 恤转印介质[*1](#)

*1 不支持从操作面板或从兼容 PictBridge(无线 LAN)的设备打印到此纸张。

■ 纸张装入限量

■ 打印机驱动程序和打印机上的纸张设置(介质类型) (Windows)

■ 打印机驱动程序和打印机上的纸张设置(介质类型) (Mac OS)

▶▶▶ 注释

- 打印保存在兼容 PictBridge(无线 LAN)的设备中的照片时，必须指定页尺寸和介质类型。

■ 从数码相机打印

页尺寸

可以使用以下页尺寸。

注 释

- 根据使用的操作系统，打印机支持的页尺寸和介质类型会有所不同。

标准尺寸：

- Letter
- Legal
- A4
- B5
- A5
- L(89x127mm)
- KG/10x15cm(4x6)
- 2L/13x18cm(5x7)
- Hagaki
- Hagaki 2
- 20x25cm(8"x10")
- 正方形 127x127mm 5"x5"
- 信封 Com 10
- 信封 DL
- Nagagata 3
- Nagagata 4
- Yougata 4
- Yougata 6

特殊尺寸

特殊页尺寸必须在以下范围内：

- 最小尺寸：89.0 x 127.0 毫米(3.50 x 5.00 英寸)
- 最大尺寸：215.9 x 676.0 毫米(8.50 x 26.61 英寸)

纸张重量

可以使用以下重量范围内的纸张。

- 64 到 105g /m²(17 到 28 磅)(除 Canon 原装纸张以外的普通纸)

纸张装入限量

原装 Canon 纸张

用于打印文档的纸张：

介质名称<型号>	后端托盘	出纸托盘
Canon Red Label Superior <WOP111>	约 100 张	约 50 张
Canon Océ Office Colour Paper <SAT213>	约 80 张	约 50 张
高分辨率纸<HR-101N> *1	约 80 张	约 50 张

用于打印照片的纸张：

介质名称<型号>	后端托盘	出纸托盘
优质专业照片纸<PT-101> *2	10 张：A4、Letter 和 20 x 25 厘米(8" x 10") 20 张：10 x 15 厘米(4" x 6")	*3
光面照相纸"Everyday Use"<GP-501> *2	A4、Letter：10 张 10 x 15 厘米(4" x 6")：20 张	*3
光面照相纸 <GP-701> *2	A4、Letter：10 张 10 x 15 厘米(4" x 6")：20 张	*3
高级光面照片纸 II<PP-201> *2	A4、Letter、13 x 18 厘米(5" x 7")、20 x 25 厘米(8" x 10")：10 张 10 x 15 厘米(4" x 6")、正方形 127 x 127 毫米(5" x 5")：20 张	*3
高级光面照片纸 II <PP-301> *2	A4、Letter、13 x 18 厘米(5" x 7")、20 x 25 厘米(8" x 10")：10 张 10 x 15 厘米(4" x 6")、正方形 127 x 127 毫米(5" x 5")：20 张	*3
专业绒面照片纸<LU-101> *2	A4、Letter：10 张	*3
亚高光泽照片纸<SG-201> *2	A4、Letter、13 x 18 厘米(5" x 7")、20 x 25 厘米(8" x 10")：10 张 10 x 15 厘米(4" x 6")：20 张	*3
无光泽照片纸<MP-101>	A4、Letter：10 张 10 x 15 厘米(4" x 6")：20 张	*3

除 Canon 原装纸张以外的纸张

通用名称	后端托盘	出纸托盘
------	------	------

普通纸(包括再生纸)*1	约 100 张 (10 张: Legal)	约 50 张 (10 张: Legal)
信封	10 个信封	*3
T 恤转印介质	1 张: A4	*3

*1 对于某些纸张类型或者在很高或很低的温度或湿度下，纸张可能无法以最大容量正常送入。在这种情况下，请装入一半或更少的纸张数。

*2 装入整叠纸张时，送入纸张时可能会在打印面上留下标记或影响送纸效率。在这种情况下，一次装入一张纸。

*3 为在连续打印时获得最佳效果，请从出纸托盘中取出已打印的纸张或信封，以免弄脏或变色。

不支持的介质类型

请勿使用以下类型的纸张。使用此类纸张不但打印效果不理想，还会造成打印机卡纸或无法正常工作。

- 折叠的纸张、卷曲的纸张或皱褶的纸张
- 受潮的纸张
- 过薄的纸张[重量少于 64g /m²(17 磅)]
- 过厚的纸张[重量超过 105g /m²(28 磅)的普通纸，Canon 原装纸张除外]
- 比明信片更薄的纸张，包括剪切为小尺寸的普通纸或记事本纸张(在小于 A5 的纸张上打印时)
- 图片明信片
- 明信片
- 双盖舌的信封
- 有凹凸花纹或表面经过处理的信封
- 涂胶盖舌已潮湿并具有粘性的信封
- 任何类型有孔的纸张
- 非长方形纸张
- 使用钉书钉或胶水等装订的纸张
- 背面具有粘性的纸张(如标签)
- 装饰有发光物等的纸张


处理纸张

- 处理何类型的纸张时，请小心不要磨擦或划伤其表面。
- 尽可能靠近纸张的边缘握住纸张，尽量不要触摸打印面。如果打印面被手上的汗渍或油渍弄脏，可能会降低打印质量。
- 在墨水干透前，请勿触摸打印面。即使墨水已干透，在处理时 also 请小心尽量不要触摸打印面。由于颜料墨水的特性，打印面上的墨水在受到摩擦或刮擦时可能会脱落。
- 打印前仅从包装中取出所需数量的纸张。
- 为避免卷曲，请在不打印时将未用完的纸张放回包装并将其水平放置保存。存放时也要避免高温、潮湿和阳光直射。

从计算机打印

- ▶ 从应用程序软件打印(Windows 打印机驱动程序)
- ▶ 从应用程序软件打印(Mac OS 打印机驱动程序)
- ▶ 使用 Canon 应用程序软件打印
- ▶ 使用 Web 服务打印
- ▶ 使用 Mac 从已启用 AirPrint 的打印机进行打印

从应用程序软件打印(Mac OS 打印机驱动程序)

- ▶ 基本打印设置  基本
- ▶ 多种打印方法
- ▶ 更改打印质量及修正图像数据
- ▶ 打印机驱动程序概述
- ▶ 更新打印机驱动程序

基本打印设置

本节描述简单设置步骤，以便打印机正确打印。

1. [确认打印机电源是否已开启](#)
2. 在打印机中[装入纸张](#)
3. 选择打印机

从[打印对话框](#)的打印机列表中选择型号。



注釋

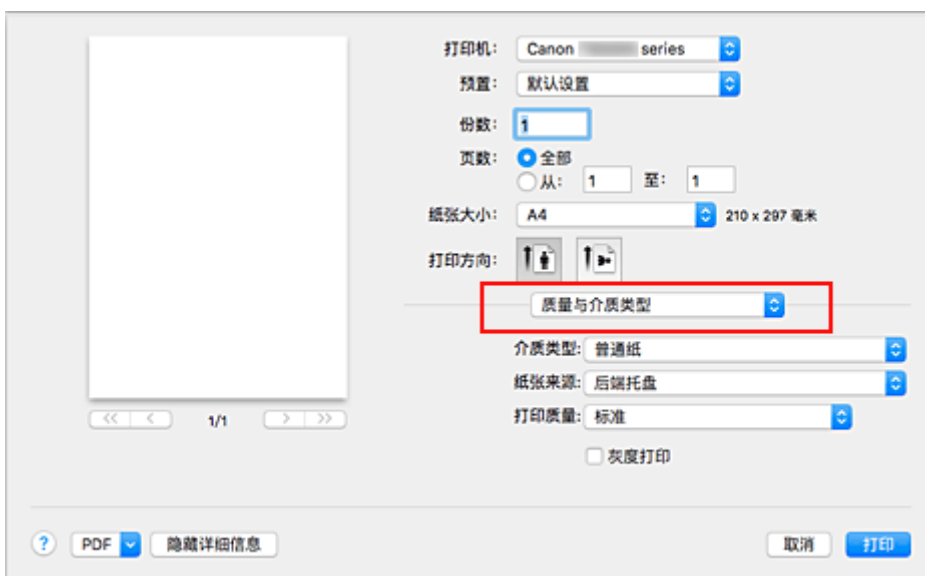
- 单击[显示详细信息](#)将设置窗口切换为详细显示状态。

4. 选择纸张尺寸

对于**纸张大小**，请选择要使用的纸张尺寸。
也可以设置份数、打印范围和打印方向。

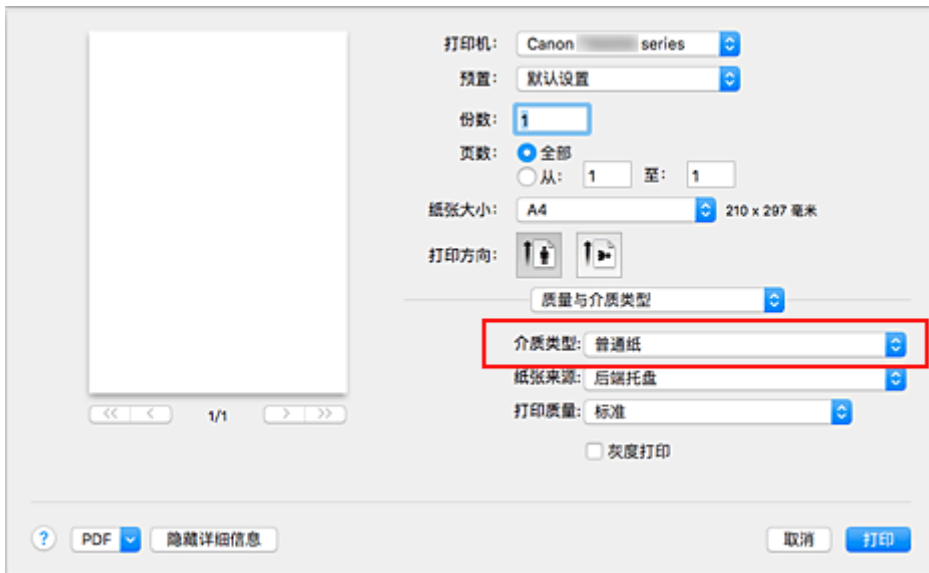


5. 从弹出菜单中选择质量与介质类型



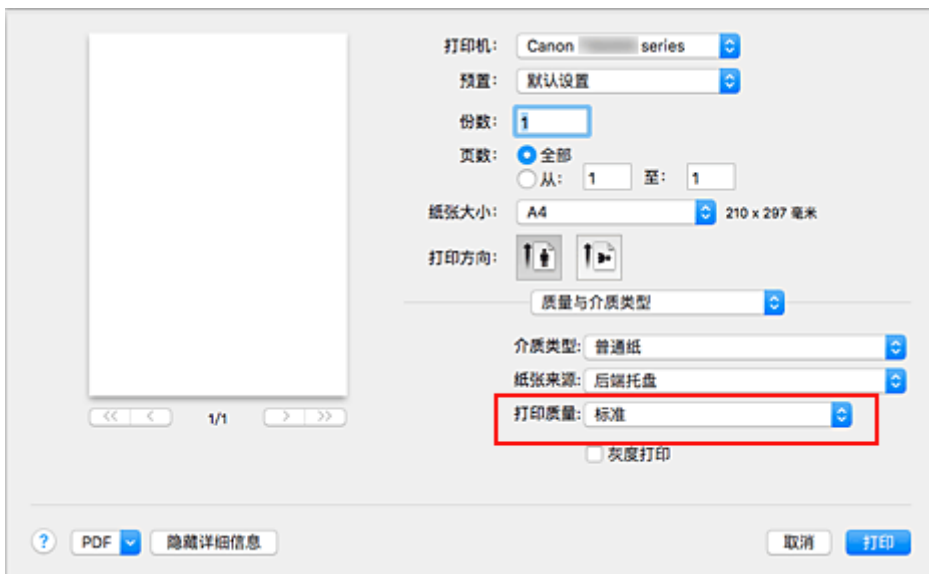
6. 选择介质类型

选择装入打印机的介质类型。



7. 选择打印质量

对于打印质量，从高、标准或草稿中进行选择以符合用途。

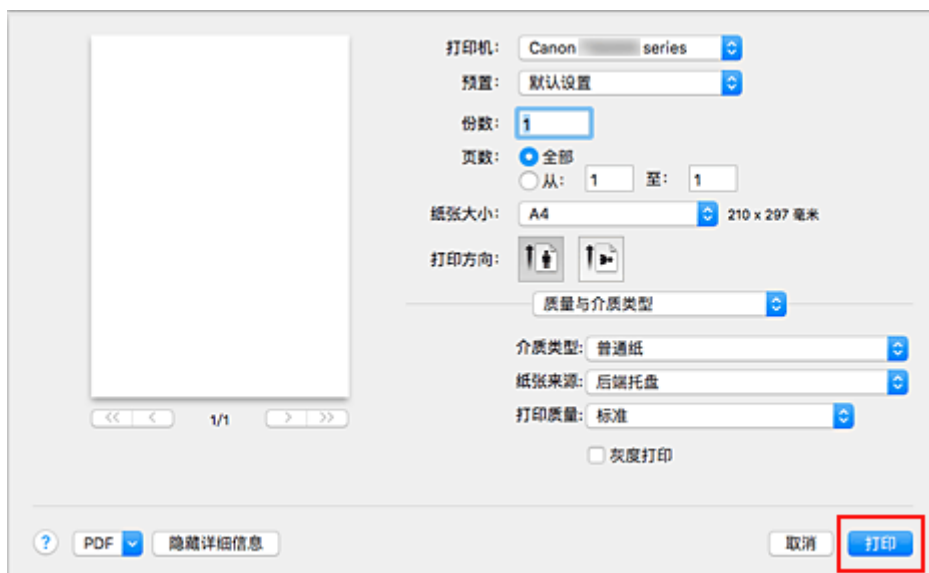


重要事项

- 根据选择的打印设置不同，打印质量的选项会有所不同。

8. 单击打印

执行打印时，打印机将根据介质类型和纸张尺寸打印文档。



重要事项

- 在打印开始前显示指南信息时，如果选中**不要再显示**复选框，将不会再显示任何指南信息。
- 在预置部分，单击**将当前设置存储为预置...**以[注册指定的设置](#)。

注释

- 如果打印对话框上的纸张设置与打印机上注册的纸张信息不同，可能会出现错误。有关发生错误时的操作说明，请参见“[纸张设置](#)”。
要检查打印机的当前设置，请选择**质量与介质类型**并单击**打印机介质信息**。
有关要在打印机上注册的纸张信息的详细信息，请参见以下内容：
 - [打印机驱动程序和打印机上的纸张设置\(介质类型\)](#)
 - [打印机驱动程序和打印机上的纸张设置\(纸张尺寸\)](#)

检查打印机设置并将设置应用到打印机驱动程序

1. 在打印对话框屏幕上打开弹出菜单，并选择**质量与介质类型**
2. 单击**打印机介质信息**

在**打印机介质信息**屏幕上，单击▶(打开/关闭按钮)或⌂(更新按钮)。信息显示区域中显示当前设置在打印机上的介质信息和纸张尺寸。

注释

- 如果与打印机的通讯已禁用，则不会显示**打印机介质信息**或打印机驱动程序无法从打印机获取打印机介质信息。

打印机驱动程序和打印机上的纸张设置(介质类型)

使用该打印机时，选择符合打印用途的介质类型和[纸张尺寸](#)有助于获得最佳打印效果。
本打印机可以使用以下介质类型。

Canon 原装纸张(文档打印)

介质名称<型号>	打印机驱动程序中的介质类型	打印机上注册的纸张信息
Canon Red Label Superior <WOP111>	普通纸	普通纸
Canon Océ Office Colour Paper <SAT213>	普通纸	普通纸

Canon 原装纸张(照片打印)

介质名称<型号>	打印机驱动程序中的介质类型	打印机上注册的纸张信息
高级光面照片纸 II <PP-201/PP-301>	高级光面照片纸 II	高级光面 II
优质专业照片纸 <PT-101>	Photo Paper Pro Platinum	Pro Platinum
专业绒面照片纸 <LU-101>	Photo Paper Pro Luster	Pro Luster
亚高光泽照片纸 <SG-201>	亚高光泽照片纸	亚高光泽
光面照相纸"Everyday Use" <GP-501>	光面照相纸	光面
光面照相纸 <GP-701>	光面照相纸	光面
无光泽照片纸 <MP-101>	Matte Photo Paper	Matte

Canon 原装纸张(商务信函打印)

介质名称<型号>	打印机驱动程序中的介质类型	打印机上注册的纸张信息
高分辨率纸 <HR-101N>	高分辨率纸	高分辨率纸

可购买的纸张

介质名称	打印机驱动程序中的介质类型	打印机上注册的纸张信息
普通纸(包括再生纸)	普通纸	普通纸
信封	信封	信封
其他照片纸	其他照片纸	其他照片纸
T 恤转印介质	T 恤转印介质	其他

打印机驱动程序和打印机上的纸张设置(纸张尺寸)

使用该打印机时，选择符合打印用途的纸张尺寸有助于获得最佳打印效果。
本打印机可以使用以下纸张尺寸。

打印机驱动程序中的纸张尺寸	打印机上注册的纸张信息
美国信纸	Letter
美国法定用纸	Legal 或 B-Oficio
A5	A5
A4	A4
JIS B5	B5
4 x 6	KG/10x15cm(4x6)
5 x 7	2L/13x18cm(5x7)
8 x 10	20x25cm(8"x10")
L	L(89x127mm)
正方形 13x13cm 5"x5"	正方形 127x127mm
10 号信封	信封 Com 10
信封 DL	信封 DL
信封 You4	Yougata 4
You6 信封	Yougata 6
用户定义尺寸	其他

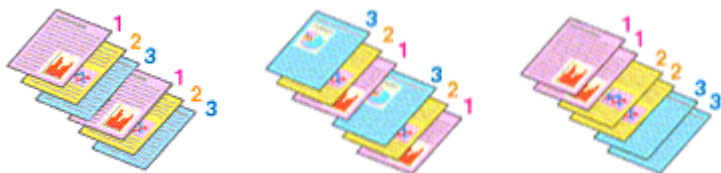
多种打印方法

- ▶ 设置打印份数和打印顺序
- ▶ 执行无边距打印
- ▶ 比例打印
- ▶ 页面布局打印
- ▶ 设置信封打印
- ▶ 在明信片上打印
- ▶ 设置纸张尺寸(用户定义尺寸)

设置打印份数和打印顺序

逐份打印页面 + 倒序 逐份打印页面 + 正常

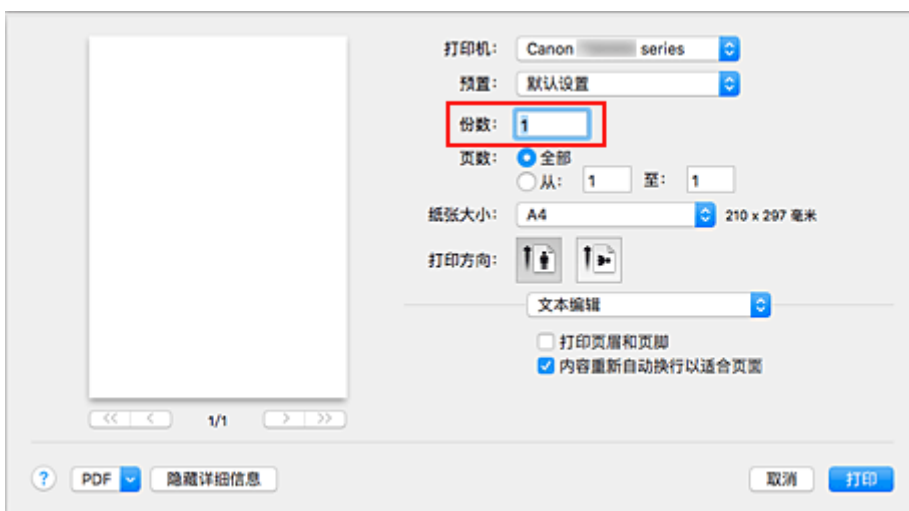
倒序



指定打印份数和打印顺序的步骤如下：

1. 指定要打印的份数

从[打印对话框](#)的份数指定要打印的份数。



2. 从弹出菜单中选择纸张处理

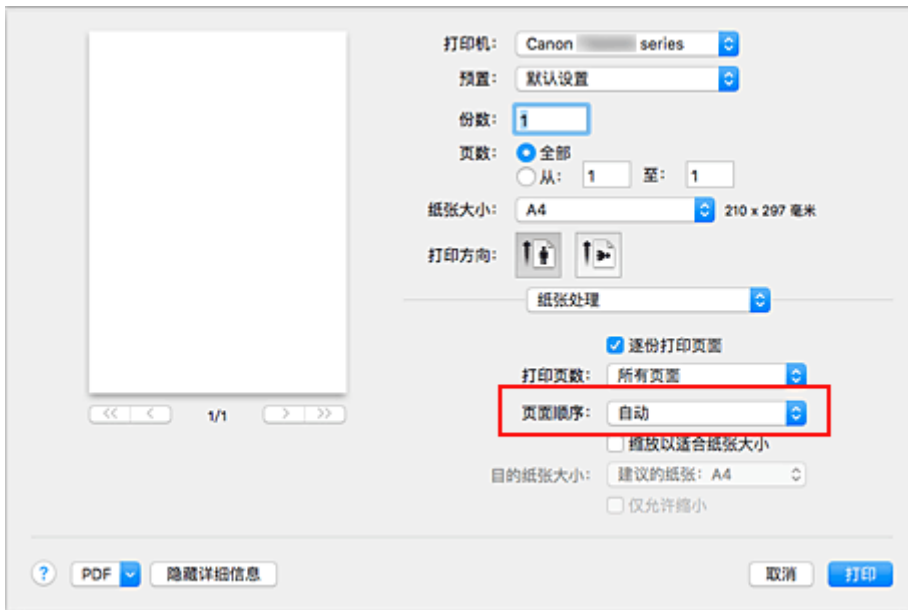
3. 在份数框中指定了多份时，请选中逐份打印页面复选框

选中**逐份打印页面**复选框将集中打印单份副本的所有页。
不选中该复选框将集中打印同一页码的所有副本。

4. 指定打印顺序

检查**页面顺序**。

选择**自动**或**倒序**时，从最末页开始打印。
选择**正常**时，从首页开始打印。



5. 单击打印

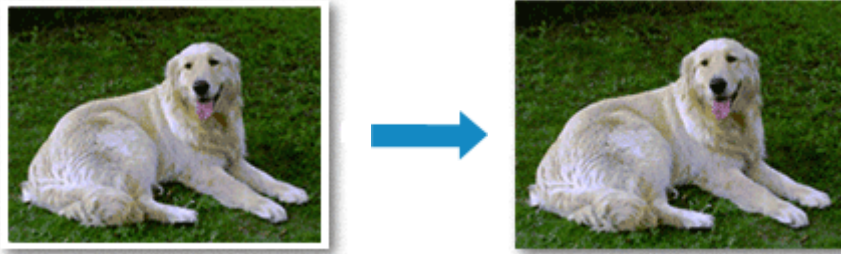
当执行打印时，将按照指定的打印顺序打印指定的份数。

重要事项

- 当创建文档的应用程序软件具有相同的功能时，请指定打印机驱动程序中的设置。然而，如果打印结果不能令人满意，请指定应用程序软件上的功能设置。当同时使用应用程序软件和本打印机驱动程序指定打印份数和打印顺序时，打印份数可能是两个设置的倍数或者指定的打印顺序可能不起作用。

执行无边距打印

无边距打印功能可以放大数据使其略微超出纸张，从而使打印的数据没有任何边距。在标准打印中将在文档区域周围创建边距。但是，在无边距打印功能中不会创建这些边距。当要使打印数据(如照片)不带任何边距时，请设置无边距打印。



执行无边距打印的步骤如下：

设置无边距打印

1. 为无边距打印选择纸张尺寸

从[打印对话框](#)的纸张大小中选择“XXX(无边距)”。



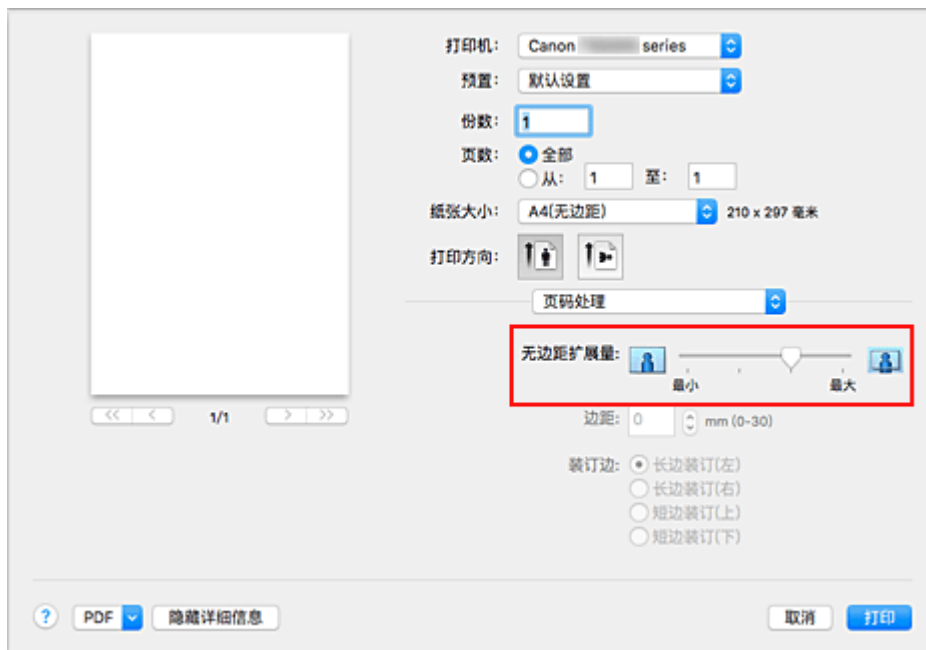
2. 从弹出菜单中选择页码处理

3. 调整纸张的扩展量

根据需要，使用**无边距扩展量**滑块调整扩展量。

向右移动滑块增加超出纸张的扩展量，向左移动减少超出纸张的扩展量。

在大多数情况下，建议将滑块调至从右边数第二个位置。



重要事项

- 将无边距扩展量滑块调至最右端位置时，纸张背面可能会变脏。

4. 单击打印

当执行打印时，将不在纸张上留有任何边距来打印数据。

重要事项

- 无边距打印仅支持指定的纸张尺寸。请确保从纸张大小中选择带有“(无边距)”词条的纸张尺寸。
- 启用无边距打印时，在打印对话框中弹出菜单的质量与介质类型的介质类型列表中，信封、高分辨率纸和T恤转印介质显示为灰色且不可用。
- 根据使用的纸张类型，打印质量可能变差或纸张顶部和底部可能会染污。
- 当纸张的长宽比例不同于图像数据时，根据使用的介质尺寸，可能无法打印部分图像。在这种情况下，根据纸张尺寸使用应用程序软件裁剪图像数据。
- 当启用缩放打印或页面布局打印时，无法执行无边距打印。

注释

- 当质量与介质类型的介质类型选择为普通纸时，不推荐使用无边距打印。

扩展文档的打印范围

设置较大的扩展量可确保无边距打印顺利执行。然而，无法打印超出纸张范围的文档部分，因此，可能无法打印照片边缘处的物件。

对无边距打印的结果不满意时，请减少扩展量。向左移动无边距扩展量滑块减少扩展量。

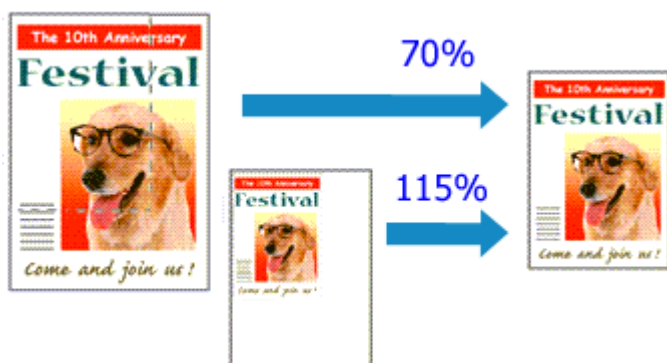
重要事项

- 当减少扩展量时，根据纸张尺寸，打印件上可能会出现多余的边距。

注 释

- 将无边距扩展量滑块调至最左端位置时，将以全尺寸打印图像数据。如果在打印明信片的地址面时设置了该项，则会在正确的位置上打印发送方的邮政编码。

比例打印



以放大或缩小页面打印文档的步骤如下：

1. 选择打印机

在[页面设置对话框](#)中，从[格式](#)列表中选择型号名称。



2. 设置比例打印

在[缩放](#)框中指定比例因数，然后单击[好](#)。

»» 注释

- 根据设置的[缩放](#)值，可能会显示错误信息。

3. 完成设置

在[打印对话框](#)上，单击[打印](#)。

当执行打印时，将以指定的比例打印文档。

»»» 重要事项

- 当用于创建原稿的应用程序软件具有比例打印功能时，请在该应用程序软件上配置此设置。您无须在[页面设置对话框](#)中配置相同的设置。

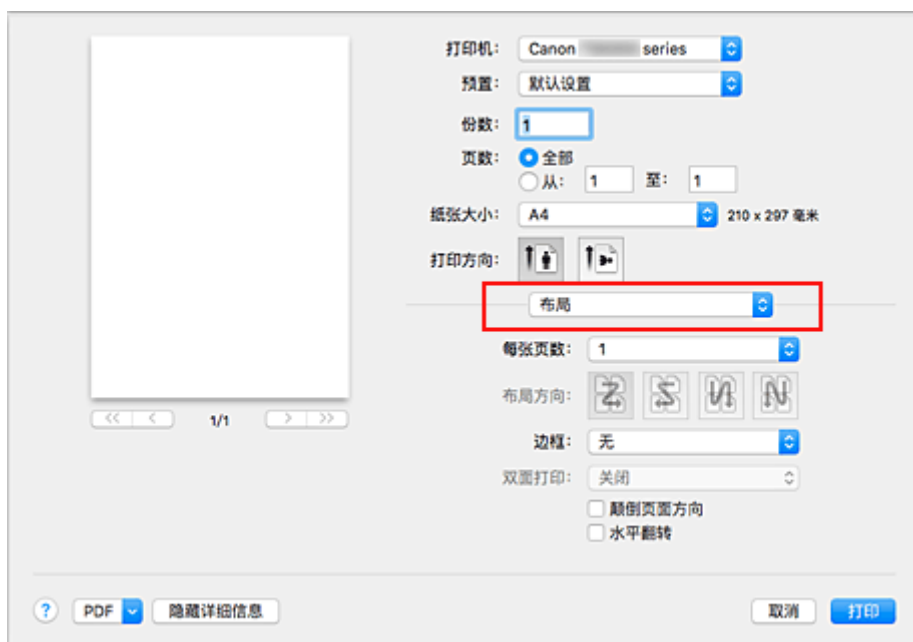
页面布局打印

页面布局打印功能可以在一张纸上打印多页图像。



执行页面布局打印的步骤如下：

1. 从打印对话框的弹出菜单中选择布局



2. 设置一页打印的原稿数

在**每张页数**中，指定在一页上打印的页数。

3. 如有必要，设置以下项目

布局方向

要更改页面放置顺序，请从列表中选择一种图标。

边框

要在各文档页面周围打印页面边框，请选中一种页边框类型。

颠倒页面方向

选中该复选框以更改页面方向。

水平翻转

选中该复选框以左右调换文档内容。

4. 单击打印

当执行打印时，将按照指定顺序在每页纸张上排列指定数目的页面。

设置信封打印

执行信封打印的步骤如下：

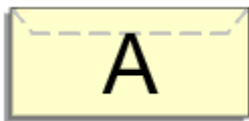
1. [装入信封](#)至打印机

2. 在[打印对话框](#)中选择纸张尺寸

对于纸张尺寸，请选择 **10 号信封**、**信封 DL**、**You4 信封**或 **You6 信封**。

3. 设置打印方向

要水平打印收件人，请选择**打印方向**为水平。然后从打印对话框中的**布局**弹出菜单检查**颠倒页面方向**。



4. 从弹出菜单中选择**质量与介质类型**

5. 选择介质类型

对于**介质类型**，请选择**信封**。

6. 选择打印质量

对于**打印质量**，根据用途，请选择**高**或**标准**。

7. 完成设置

单击**打印**。

执行打印时，将在信封上打印信息。

重要事项

- 在信封上打印时，总是从打印对话框中选择打印设置。

注释

- 如果打印对话框上的纸张设置与打印机上注册的纸张信息不同，可能会出现错误。有关发生错误时的操作说明，请参见“[纸张设置](#)”。要检查打印机的当前设置，请选择**质量与介质类型**并单击**打印机介质信息**。有关要在打印机上注册的纸张信息的详细信息，请参见以下内容：
 - [打印机驱动程序和打印机上的纸张设置\(介质类型\)](#)
 - [打印机驱动程序和打印机上的纸张设置\(纸张尺寸\)](#)

在明信片上打印

本节描述明信片打印的步骤。

1. 在打印机中[装入明信片](#)

2. 在[打印对话框](#)中选择纸张尺寸

从[纸张大小](#)菜单中选择明信片或明信片一双面。

重要事项

- 只有从计算机打印时才可以使用回复明信片。
- 打印回复明信片时，务必从应用程序软件或打印机驱动程序将纸张尺寸设置为明信片一双面。
- 请勿折叠回复明信片。如果形成折痕，打印机将无法正确送入明信片，这种情况将造成线条偏移或卡纸。
- 回复明信片不能使用无边距打印。

3. 从弹出菜单中选择[质量与介质类型](#)

4. 选择介质类型

对于[介质类型](#)，请选择装入打印机中的相同纸张类型。

重要事项

- 本打印机无法打印附有照片或贴纸的明信片。
- 分别打印明信片的每一面时，如果先打印信息面，然后再打印地址面，将获得更清晰的打印效果。
- 根据是在地址面打印还是在信息面打印，打印机对话框中的纸张设置有所不同。
要检查打印机的当前设置，请选择[质量与介质类型](#)并单击[打印机介质信息](#)。
有关要在打印对话框中注册的纸张信息和要在打印机上注册的纸张信息的详细资料，请参见以下内容：
 - [打印机驱动程序和打印机上的纸张设置\(介质类型\)](#)
 - [打印机驱动程序和打印机上的纸张设置\(纸张尺寸\)](#)

5. 单击打印

执行打印时，将在明信片上打印数据。

重要事项

- 在打印开始前显示指南信息时，如果选中[不要再显示](#)复选框，将不会再显示任何指南信息。

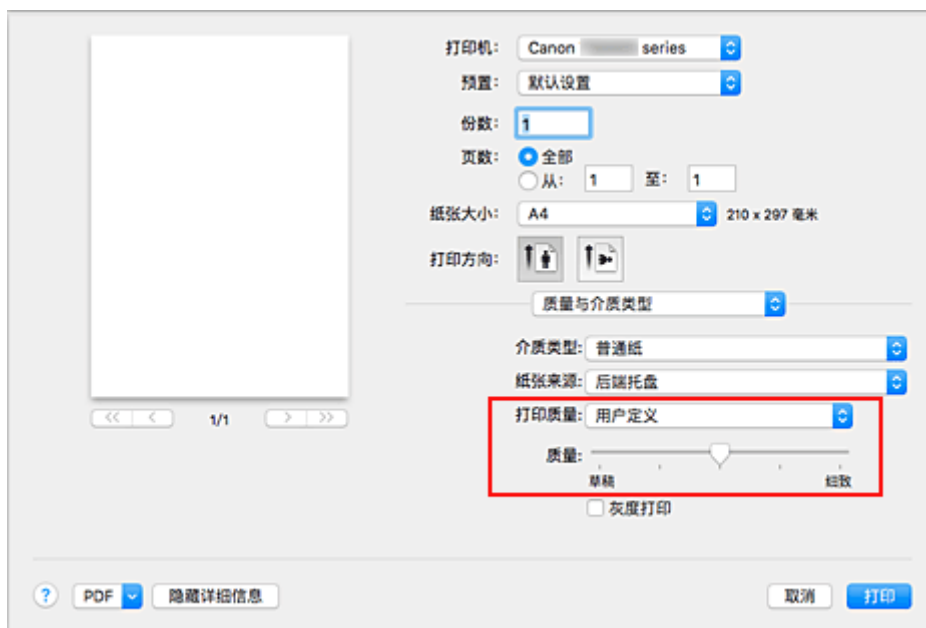
设置打印质量级别(用户定义)

可以在用户定义中设置打印质量级别。

设置打印质量级别的步骤如下：

1. 从[打印对话框](#)上的弹出菜单中选择**质量与介质类型**
2. 选择打印质量

选择打印质量为**用户定义**。



3. 设置打印质量级别

移动**质量**滑块以选择打印质量级别。

4. 单击打印

当执行打印时，将以选择的打印质量级别打印图像数据。

重要事项

- 根据**介质类型**的设置，可能无法选择某些打印质量级别。

相关主题

- 指定色彩修正
- 调整色彩平衡
- 调节亮度
- 调节浓度
- 调节对比度

打印机驱动程序概述

- ▶ **Canon IJ 打印机驱动程序**
- ▶ 如何打开打印机驱动程序设置窗口
- ▶ 页面设置对话框
- ▶ 打印对话框
- ▶ **Canon IJ Printer Utility2**
- ▶ 显示打印状态屏幕
- ▶ 删除不需要的打印作业
- ▶ 使用说明(打印机驱动程序)

Canon IJ 打印机驱动程序


Canon IJ 打印机驱动程序(以下称为打印机驱动程序)是安装在计算机上、用于本打印机打印数据的软件。

打印机驱动程序将应用程序软件所生成的打印数据转换为打印机能够识别的数据，并将转换后的数据发送到打印机。

由于不同的型号支持不同的打印数据格式，因此需要为使用的指定型号安装相应的打印机驱动程序。

使用打印机驱动程序的帮助

可以从[打印对话框](#)显示帮助功能。

从打印对话框上的弹出菜单中选择设置项目。然后单击屏幕左下角的以显示该项目的说明。

选择以下弹出菜单项目时显示打印机驱动程序的帮助：

- 质量与介质类型
- 色彩选项
- 页码处理

如何打开打印机驱动程序设置窗口

可以从正在使用的应用程序软件显示打印机驱动程序设置窗口。

打开页面设置对话框

使用此操作在打印前设置页面(纸张)设置。

1. 从应用程序软件的文件菜单上选择**页设置...**

[页面设置对话框](#)打开。

打开打印对话框

使用此操作在打印前设置打印设置。

1. 从应用程序软件的文件菜单上选择**打印...**

[打印对话框](#)打开。

页面设置对话框

在页面设置对话框中，可以配置基本打印设置，如装入打印机的纸张尺寸或缩放比例。

要打开页面设置对话框，可以从应用程序软件的文件菜单中选择**页设置...**。



设置

单击弹出菜单，然后选择以下项目：

页面属性

设置纸张尺寸或缩放打印。

存储为默认

可以将显示页面的属性保存为默认设置。

重要事项

- 如果正在使用 OS X El Capitan v10.11，则无法使用**存储为默认设置**。

格式

选择要用于打印的打印机型号。

纸张大小

选择要用于打印的纸张尺寸。

要设置无标准的纸张尺寸，请选择**管理自定大小...**。

打印方向

选择打印方向。

缩放

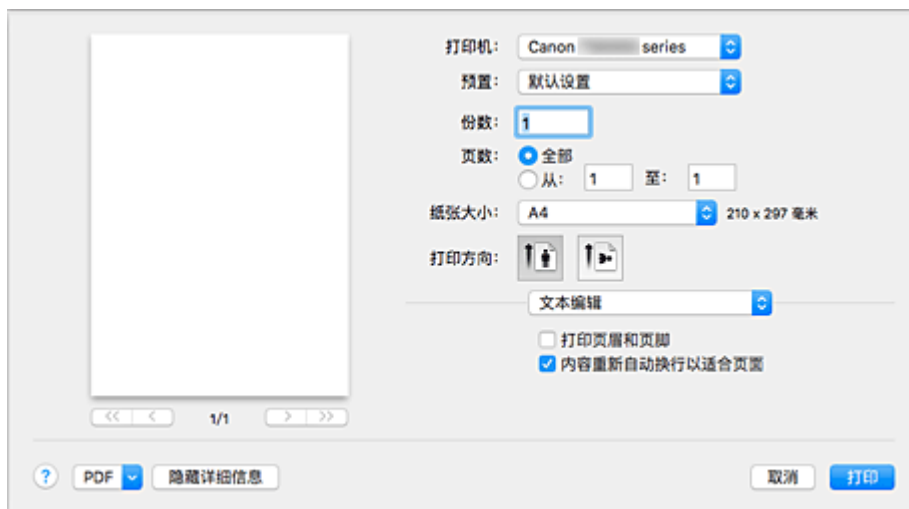
设置缩放百分比。

打印时，您可以增加或减小文档的尺寸。

打印对话框

在打印对话框中，您可以设置纸张类型和打印质量以开始打印。

要打开打印对话框，可以从应用程序软件的**文件菜单**中选择**打印...**。



打印机

选择要用于打印的打印机型号。

单击**添加打印机...**时，指定打印机的对话框打开。

预置

您可以保存或删除打印对话框的设置。

»» 注释

- 可以选择**显示预置...**，以检查打印对话框中设置的打印设置。

份数

可以设置要打印的份数。

»» 注释

- 可以从弹出菜单中选择**纸张处理**以设置逐份打印。

页数

您可以设置要打印的页面的范围。

纸张大小

选择要用于打印的纸张尺寸。

要设置无标准的纸张尺寸，请选择**管理自定义大小...**。

打印方向

选择打印方向。

弹出菜单

可以通过弹出菜单在打印对话框中进行页面之间的切换。根据打印对话框中打开的应用程序软件，显示的第一个菜单会有所不同。

您可以从弹出菜单中选择以下一种项目。

布局

您可以设置页面布局打印。

使用**颠倒页面方向**以更改纸张方向，使用**水平翻转**以打印文档的镜像。

颜色匹配

可以选择色彩修正方法。

纸张处理

您可以设置要在纸张上打印的页数和打印顺序。

封面

您可以在文档前后输出封面。

质量与介质类型

您可以设置匹配打印机的基本打印设置。

色彩选项

您可以调整您想要的打印色彩。

页码处理

调整使用整页无边距打印时文档超出纸张的扩展量，并指定装订多页纸张时的装订边和装订边距。

耗材余量

显示剩余墨水量大致指示信息。

PDF

可以以 PDF(可移植文档格式)格式保存文档。

Canon IJ Printer Utility2

通过 Canon IJ Printer Utility2 可以执行打印机维护或更改打印机设置。

Canon IJ Printer Utility2 的功能



可以通过弹出菜单在 Canon IJ Printer Utility2 中的页面之间进行切换。您可以从弹出菜单中选择以下一种项目。

清洗

清洗打印机以疏通阻塞的打印头喷嘴。

测试打印

执行测试打印可以查看打印头喷嘴的状态和调整打印头的位置。

- 调整打印头位置
- 打印喷嘴检查图案

电源设置

从打印机驱动程序操作打印机电源。

静音设置

您可以降低打印机的操作噪音。

用户定义设置

更改该打印机的设置。

墨水量信息

查看剩余墨水量。

注 释


- 要操作 Canon IJ Printer Utility2，首先需要开启打印机。
- 计算机根据所选项目与打印机通讯以获取信息。如果计算机无法与打印机通讯，可能会显示一条错误信息。
如果发生此情况，单击**取消**可显示在计算机上新近指定的设置。

显示打印状态屏幕

根据以下步骤检查打印进程：

1. 启动打印状态屏幕

- 如果打印数据已经发送到打印机

打印状态屏幕则自动打开。要显示打印状态屏幕，请单击 Dock 上显示的  (打印机图标)。

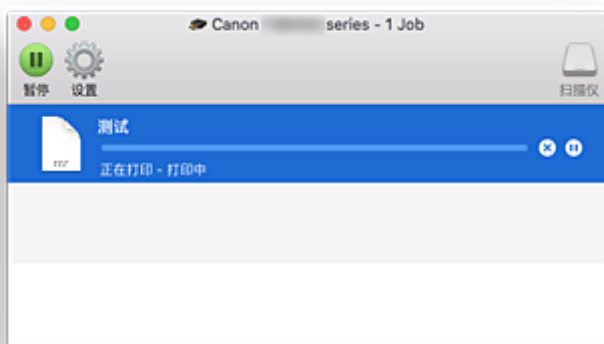
- 如果打印数据未发送到打印机






打开**系统偏好设置**，并选择**打印机与扫描仪(打印与扫描)**。

要显示打印状态屏幕，从打印机列表中选择打印机型号名称，然后单击**打开打印队列...**。

2. 检查打印状态

您可以查看正在打印或准备打印的文件名称。



-  删除指定的打印作业。
-  停止打印指定的文档。
-  重新打印指定的文档。
-  停止打印所有文档。
-  仅在所有文档的打印停止时显示，并重新开始打印所有文档。

使用说明(打印机驱动程序)

该打印机驱动程序受以下限制。使用打印机驱动程序，请注意以下几点。

关于打印机驱动程序的限制

- 当设置页面设置对话框时，请务必从**格式**列表中选择使用的型号启动。如果选择其他打印机，可能无法正常执行打印。
- 如果 Canon IJ Printer Utility2 在**墨水**量信息中不显示剩余墨水量，请检查是否正确安装了打印头和墨水盒。
- Canon IJ Printer Utility2 显示**墨水**量信息时，请关闭打印机扫描单元/机盖。
- 尽管在 Windows 计算机中可以使用，但在 Mac OS 中无法使用以下功能。
 - 双面打印
 - 书册打印
 - 平铺/海报打印
- 根据您使用的应用程序软件，预览可能不会显示在打印对话框的左侧。
- 如果使用 USB 电缆线连接打印机和 AirPort 并进行打印，必须安装最新的 AirPort 固件。
- 如果正在使用 OS X Mavericks v10.9，从 Canon IJ Printer Utility2 执行打印机维护时请关闭打印状态检查窗口。

添加打印机的注意事项

- 如果要在 Mac OS 上安装 Canon 打印机驱动程序并通过网络连接使用打印机，请在**添加**对话框中选择包含 Bonjour 的打印机名称。
如果**添加**对话框中的**使用**下显示多个选项，选择 Canon XXX series(其中“XXX”表示型号名称)可在打印过程中最大限度地进行控制。
- 如果将 Canon 打印机驱动程序安装到 OS X El Capitan v10.11、OS X Yosemite v10.10 或 OS X Mavericks v10.9 并使用 USB 连接，则**添加**对话框可能会显示多个**使用**选项。
建议使用 Canon XXX series(XXX 表示型号)，以便可以指定详细的打印设置。

安装打印机驱动程序

您可以通过互联网访问我们的网站，并为您的机型下载最新的打印机驱动程序。

本节说明安装已下载的打印机驱动程序的步骤。

1. 装载磁盘

双击已下载的磁盘映像文件。

文件解压缩并装载磁盘。

2. 启动安装程序

在已解压缩的磁盘中双击“PrinterDriver_XXX_YYY.pkg”（“XXX”表示型号且“YYY”表示版本）。

3. 打开安装程序

按照屏幕信息安装打印机驱动程序。

出现使用协议屏幕时，请阅读内容并单击**继续**。只有同意使用协议的条款，才能安装本软件。

4. 选择安装目标文件夹

如有必要，更改安装目标文件夹，然后单击**继续**。

5. 继续安装

单击**安装**。

当显示认证屏幕时，请输入管理员的名称和密码，然后单击**安装软件**。

6. 完成安装

遵循安装完成信息，并单击**关闭**。

至此完成打印机驱动程序的安装。

重要事项

- 如果安装程序不正常运行，请从 Finder 的**安装程序**菜单选择**退出安装程序**。安装程序结束后，请重复安装步骤。
- 可以免费获取打印机驱动程序。互联网连接需要支付费用。

相关主题

- 下载最新的打印机驱动程序
- 从打印机列表中删除不需要的 Canon IJ 打印机
- 安装打印机驱动程序之前

直接从智能手机/平板电脑打印

- ▶ Android 打印
- ▶ 使用 iOS 设备从已启用 AirPrint 的打印机进行打印
- ▶ 从安装有 Windows 10 Mobile 的设备进行打印
- ▶ [通过无线直连使用打印机](#)

通过无线直连使用打印机

可以通过以下两种方法将设备(例如智能手机或平板电脑)连接至打印机。

- 无线连接(通过无线路由器连接设备)
- 直接无线连接(使用无线直连接设备)

本节描述了无线直连,这种方式可以通过将设备直接连接至打印机进行打印或扫描。

请按照以下步骤使用无线直连。

1. [更改打印机的设置](#)
2. [更改设备的设置并将其连接至打印机](#)
3. [通过无线直连进行打印/扫描](#)

本节也描述将无线直连更改为无线 LAN。

■ [更改打印机设置以使用无线 LAN](#)

▶▶▶ 重要事项

- 最多可以将 5 台设备同时连接至打印机。
- 检查使用限制并将打印机切换至无线直连。

■ [限制](#)


准备无线直连

更改以下设置以准备无线直连。

- 打印机的 LAN 设置
 - [更改打印机的设置](#)
- 要连接的设备的设置
 - [更改设备的设置并将其连接至打印机](#)

更改打印机的设置

1. [确保打印机已开启。](#)

2. 在主页屏幕上选择  设置。

■ [LCD 屏幕和操作面板](#)

3. 选择  设置。

4. 选择  设备设置。

5. 选择 LAN 设置。

6. 选择**无线直连**。

7. 选择**启用/停用无线直连**。

8. 选择**开**。

出现询问是否显示密码信息的确认屏幕。

9. 选择**是或否**。

显示无线直连设置列表。

设备根据标识符(SSID)检测打印机。

►► 注释

- 可以检查以下内容。

- SSID
- 安全设置
- 密码
- 兼容 Wi-Fi Direct 的设备上显示的打印机名称

将设备连接到打印机时需要输入密码。根据使用的设备不同，不需要输入密码。

将兼容 Wi-Fi Direct 的设备连接到打印机时，选择设备的 LCD 屏幕上显示的设备名称。

- 会自动指定标识符(SSID)和安全设置。要进行更新，请参见以下内容。

■ [更改无线直连设置](#)

10. 选择**OK**。

将启用无线直连，并且可以将设备通过无线方式连接到打印机。

更改设备的设置并将其连接至打印机

1. 开启设备上的无线通讯。

在设备的“设置”菜单中启用“Wi-Fi”。

有关开启无线通讯的更多信息，请参见设备的说明手册。

2. 从设备上显示的列表中选择“DIRECT-XXXX-TS5000series” (“X”表示字母数字字符)。

►► 注释

- 如果列表上未出现“DIRECT-XXXX-TS5000series”，则未启用无线直连。

请参见[更改打印机的设置](#)以启用无线直连。

3. 输入密码。

设备已连接到打印机。

注 释

- 检查无线直连的密码。

使用以下任一方法检查。

- LCD 屏幕显示。

■ LAN 设置

- 打印网络设置。

■ 打印网络设置

- 根据使用的设备不同，需要输入密码以将设备通过无线 LAN 连接到打印机。输入为打印机指定的密码。
- 如果兼容 Wi-Fi Direct 的设备设置为优先使用 Wi-Fi Direct 且该设备正连接到打印机，打印机将显示确认屏幕，询问是否允许该设备连接到打印机。

确保 LCD 屏幕上的名称与无线通讯设备名称一致，然后选择**是**。

通过无线直连进行打印/扫描

连接设备和打印机，然后开始打印/扫描。

注 释


- 有关通过无线 LAN 从设备打印或扫描的更多信息，请参阅此设备或应用程序的说明手册。
- 可以通过安装 Canon PRINT Inkjet/SELPHY 从智能手机或平板电脑打印/扫描。请从 App Store 和 Google Play 下载。

■ 对于 iOS

■ 对于 Android

更改打印机设置以使用无线 LAN

请按照以下步骤更改打印机设置以使用无线 LAN。

1. 在主页屏幕上选择  **设置**。

■ [LCD 屏幕和操作面板](#)

2. 选择  **设置**。

3. 选择  **设备设置**。

4. 选择 **LAN 设置**。

5. 选择**无线 LAN**。

6. 选择**启用/停用无线 LAN**。


7. 选择**启用**。

如果不通过无线 LAN 使用打印机，选择**停用**。

更改无线直连设置

按照以下步骤更改无线直连的设置。

1. [确保打印机已开启](#)。

2. 在主页屏幕上选择  **设置**。

■ [LCD 屏幕和操作面板](#)

3. 选择  **设置**。

4. 选择  **设备设置**。

5. 选择 **LAN 设置**。

6. 选择**无线直连**。

7. 选择设置项目。



- 要更新无线直连的标识符(SSID)和密码

选择 A 以显示确认屏幕。要更新标识符(SSID)和密码，请选择**是**。

要查看安全设置和更新的密码，请选择**详细信息**，然后在接下来显示的屏幕上选择**是**。

- 要更改兼容 Wi-Fi Direct 的设备上显示的打印机名称

选择 B 显示兼容 Wi-Fi Direct 的设备上显示的打印机名称(设备名称)。

请按照以下步骤更改名称。

1. 选择输入字段。

2. 输入设备名称(最多 32 个字符)。
 3. 选择 **OK** 完成设备名称的输入。
 4. 选择 **OK** 完成设备名称的指定。
- 要更改兼容 Wi-Fi Direct 的设备连接到打印机时的确认屏幕设置
选择 C 以显示确认屏幕。如果要打印机显示兼容 Wi-Fi Direct 的设备正在连接到打印机的通知屏幕，请选择**是**。

▶▶▶ 重要事项

- 为防止未经授权的访问，建议不要更改默认设置。
- 要检查当前无线直连设置
选择 D 以显示确认屏幕。要检查当前无线直连设置，请选择**是**。

▶▶▶ 注释

- 如果选择**打印详细信息**，可以打印网络设置。

8. 按**主页**按钮。

显示主页屏幕。

▶▶▶ 注释

- 如果更改打印机的无线直连设置，请同时更改设备的无线路由器设置。

打印照片数据

- ▶ 打印保存在存储卡中的照片
- ▶ 特殊照片菜单
- ▶ 使用操作面板设置照片打印的项目


打印保存在存储卡中的照片

可以轻松打印保存在存储卡上的照片。

本节描述在**选择照片打印**中打印照片的步骤。

1. [确保打印机已开启。](#)

2. [请装入照片纸。](#)

3. 在主页屏幕上选择  打印。

■ [LCD 屏幕和操作面板](#)

4. 选择  从存储卡。

显示存储卡打印菜单。

5. 选择  选择照片打印。

6. [将存储卡插入存储卡插槽。](#)

显示照片选择屏幕。

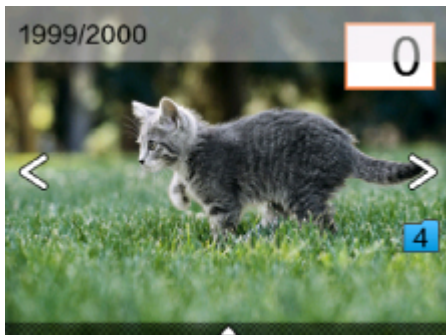
►► 注释

- 在显示存储卡打印菜单前插入存储卡时，将显示照片选择屏幕。
- 如果存储卡上没有保存可打印的照片数据，LCD 屏幕上会显示**未保存所支持类型的数据。**
- 如果存储卡上保存的照片数据超过 2,000 张，则会按时间倒序(最后修改日期)以每 2,000 张一组自动分割照片数据。查看 LCD 屏幕上显示的信息，然后选择 **OK**。

7. 根据需要指定设置。

- 要选择要打印的照片：

使用 ◀▶ 按钮选择照片。



可以通过按**启动**按钮打印所显示照片的副本。

- 要指定份数：

显示要打印的照片时，按 **OK** 按钮以显示指定份数的屏幕。

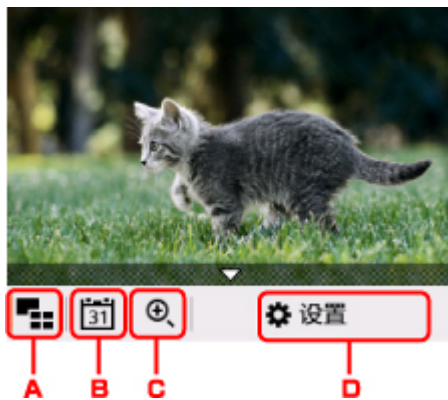


使用▲▼按钮指定份数。

- 要更改显示方式或打印设置：

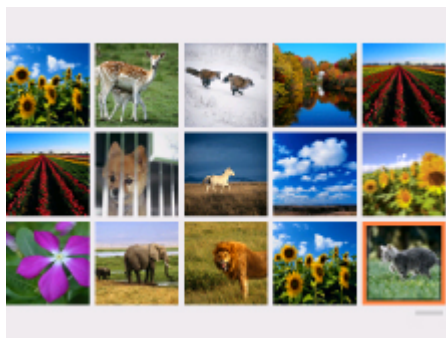
按▲按钮显示菜单。使用◀▶按钮选择菜单。

按▼按钮隐藏菜单。



- A. 多张显示

一次显示多张照片。



有关显示方式的更多信息，请参见：

- 使用有用的显示功能

- B. 指定日期

按指定日期(数据的最后修改日期)选择照片。



有关详细资料：

- 使用有用的显示功能

C. 放大

放大照片。



有关详细资料：

- 使用有用的显示功能

D. 设置

显示设置屏幕。

可以更改页尺寸、介质类型、打印质量等设置。

设置	
页尺寸	10x15cm(4"x6")
类型	高级光面 II
打印质量	标准
边距	无边距
照片修复	自动照片修复

有关设置项目的更多信息，请参见：

- [使用操作面板设置照片打印的项目](#)

8. 按启动按钮。

打印机开始打印。

►► 注释

- 按停止按钮以取消打印。

- 处理打印作业时，可以添加打印作业(预约照片打印)。

■ 添加打印作业

添加打印作业

打印照片时可以添加打印作业(预约照片打印)。

请按照以下步骤添加打印作业。

1. 使用◀▶按钮在打印过程中选择下一张照片。

▶▶▶ 注释

- 选择照片时，打印机会打印预约的照片。



- 预约的照片图标会出现在打印作业中的照片上。

2. 为每张照片指定份数。

▶▶▶ 注释

- 处理打印作业时，无法在打印设置确认屏幕上更改**页尺寸**或**类型**的设置。此设置与打印作业中的照片的设置相同。

3. 按**启动**按钮。

保留的照片在已开始打印的照片完成之后打印。

如果要打印更多的照片，请从步骤 1 开始重新操作。

▶▶▶ 注释

- 处理打印作业时，无法显示主页屏幕、更改打印菜单，或从计算机或其他设备打印。
- 处理打印作业时，未选择其他组中的照片。
- 如果在处理打印作业时按**停止**按钮，将显示选择相应方法以取消预约的屏幕。如果选择**取消所有预约**，可以取消打印所有照片。如果选择**取消最后一次预约**，可以取消最后的打印作业。
- 如果存在多个打印作业，LCD 屏幕上可能会显示**无法预约更多打印作业。请稍候并重新操作。**在这种情况下，请等待一段时间，然后再添加打印作业。

使用操作面板设置照片打印的项目

可以指定页尺寸、介质类型、照片修复等设置以打印保存在存储卡上的照片。

打印设置屏幕

显示打印设置屏幕的方式随打印菜单而不同。

- 在选择照片打印中：

选择**设置**显示以下屏幕。

设置	
页尺寸	10x15cm(4"x6")
类型	高级光面 II
打印质量	标准
边距	无边距
照片修复	自动照片修复

- 在剪裁打印中：

打印前显示以下屏幕。

开始打印	
份数	1
页尺寸	10x15cm(4"x6")
类型	高级光面 II
打印质量	标准
边距	无边距



设置项目

可以指定以下设置项目。

使用▲▼按钮选择设置项目，然后按 **OK** 按钮以显示设置。使用▲▼按钮指定设置，然后按 **OK** 按钮以确认选择。

设置		
页尺寸	10x15cm(4"x6")	1
类型	高级光面 II	2
打印质量	标准	3
边距	无边距	4
照片修复	自动照片修复	5
红眼修正	关	6
打印日期	关	7

▶▶▶ 注释

- 根据打印菜单，某些设置项目无法选择。本节描述**选择照片打印**的设置项目。
无法选择的设置项目显示为灰色或不显示。
- 某些设置无法和其他设置项目或打印菜单一起指定。如果选择了不能组合指定的设置，LCD 屏幕上会显示  和**错误详细信息**。在这种情况下，选择 LCD 屏幕上左上方的  检查信息，然后更改设置。
- 即使选择了其他打印菜单或关闭打印机，页尺寸、介质类型等设置仍会保留。

1. 页尺寸

选择已装入纸张的页尺寸。

2. 类型 (介质类型)

选择已装入纸张的介质类型。

3. 打印质量 (打印质量)

根据照片选择打印质量。

4. 边距 (有边距打印/无边距打印)

选择有边距或无边距打印。

5. 照片修复

选择**自动照片修复**时，将识别拍摄照片中的场景或人物的面部，并自动对每张照片做最合适的修正。可以增亮逆光拍摄中变暗的面部以打印。也可分析如风景、夜景、人物等场景，并自动用最合适的色彩、亮度或对比度修正每个场景以打印。

▶▶▶ 注释

- 默认情况下，使用已应用的自动修正打印存储卡上的照片。
- 如果选择了**无修正**，则打印照片时不进行修正。

6. 红眼修正

修正由于闪光摄影造成的肖像中的红眼。

根据照片类型，可能无法修正红眼或修正除红眼外的其他部分。

7. 打印日期

激活/停用在照片上打印日期(拍摄日期)。

▶▶▶ 注释

- 拍摄日期会根据**日期显示格式**的设置进行打印，该设置位于**设置的设备设置**下的**设备用户设置**中。

■ [设备用户设置](#)

纸张设置

通过注册装入后端托盘的纸张尺寸和介质类型，可以在装入纸张的尺寸或介质类型与打印设置不同时先显示信息然后再开始打印，从而防止打印机误打印。

注 释

- 从打印机操作面板进行打印或复印时的默认显示设置与使用打印机驱动程序进行打印时的默认设置不同。

- [显示防止误打印的信息的默认设置](#)

装入纸张后：

关闭进纸插槽盖板时：



显示注册后端托盘纸张信息的屏幕。

注册后端托盘的纸张信息	
选择装入后端托盘的纸张。	
页尺寸	A4
类型	普通纸
<input type="button" value="注册"/>	

根据装入的纸张注册纸张尺寸和介质类型。

重 要 事 项

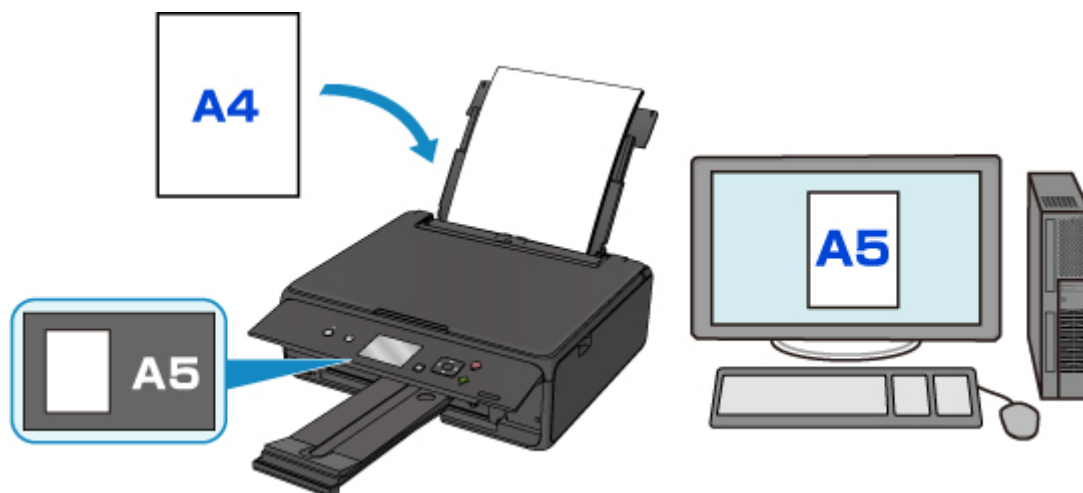
- 有关可以通过打印机驱动程序或在 LCD 屏幕上指定的正确纸张设置组合的更多信息：
 - 对于 Windows：
 - 打印机驱动程序和打印机上的纸张设置(介质类型)
 - 打印机驱动程序和打印机上的纸张设置(纸张尺寸)
 - 对于 Mac OS：

- [打印机驱动程序和打印机上的纸张设置\(介质类型\)](#)
- [打印机驱动程序和打印机上的纸张设置\(纸张尺寸\)](#)

用于打印或复印的纸张设置与打印机上注册的纸张信息不同时：

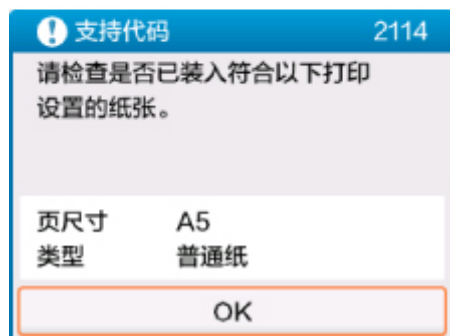
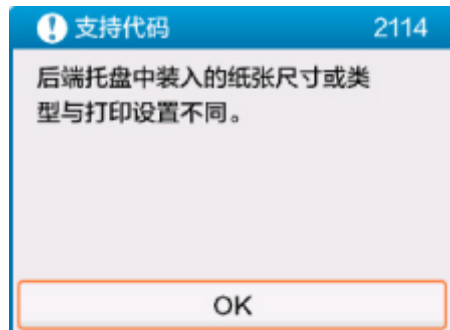
例如：

- 用于打印或复印的纸张设置：A5
- 打印机上注册的纸张信息：A4



当开始打印或复印时，会显示信息。

选择 LCD 屏幕上的 **OK**，可以在此信息下方显示为打印或复印指定的纸张设置。



检查信息，然后选择 **OK**。显示选择操作屏幕时，选择以下操作之一。

»» 注释

- 根据设置，可能不会显示以下选项。

以装入的纸张进行打印。

如果要在不更改纸张设置的情况下在装入的纸张上打印，请选择此项。

例如，用于打印或复印的纸张设置为 A5 而打印机上注册的纸张信息为 A4 时，打印机将在装入的纸张上以 A5 开始打印或复印。

替换纸张并打印

如果要在更换后端托盘中的纸张后打印，请选择此项。

例如，用于打印或复印的纸张设置为 A5 而打印机上注册的纸张信息为 A4 时，先装入 A5 尺寸的纸张，然后再开始打印或复印。

在更换纸张并关闭进纸插槽盖板后，显示纸张信息注册屏幕。根据装入的纸张，注册纸张信息。

»» 注释

- 如果不知道要注册到打印机的纸张信息，当显示选择操作屏幕时，按**返回**按钮。显示上一步屏幕时，检查纸张尺寸和介质类型，然后将其注册到打印机。
- 有关可以通过打印机驱动程序或在 LCD 屏幕上指定的正确纸张设置组合的更多信息：
 - 对于 Windows：
 - [打印机驱动程序和打印机上的纸张设置\(介质类型\)](#)
 - [打印机驱动程序和打印机上的纸张设置\(纸张尺寸\)](#)
 - 对于 Mac OS：
 - [打印机驱动程序和打印机上的纸张设置\(介质类型\)](#)
 - [打印机驱动程序和打印机上的纸张设置\(纸张尺寸\)](#)

取消

取消打印。

更改打印或复印的指定纸张设置时选择此项。更改纸张设置并再次尝试打印。

显示防止误打印的信息的默认设置

- **使用打印机的操作面板打印时：**

默认启用防止误打印的信息。

要更改使用打印机操作面板进行复印或打印时的显示设置：

- [送纸设置](#)

- **使用打印机驱动程序进行打印时：**

默认禁用防止误打印的信息。

要更改使用打印机驱动程序进行打印时的显示设置：

- 对于 Windows：
 - [更改打印机操作模式](#)
- 对于 Mac OS：

■ 更改打印机操作模式

▶▶▶ 重要事项


- 禁用防止误打印的信息时：
即使用于打印或复印的纸张设置与打印机上注册的纸张信息不同，打印机也会开始打印或复印。

进行复印

本节描述使用**标准复印**进行复印的步骤。

1. [确保打印机已开启。](#)

2. [装入纸张。](#)

3. 在主页屏幕上选择  **复印**。

■ [LCD 屏幕和操作面板](#)

4. 选择  **标准复印**。

显示复印待机屏幕。

5. [将原稿放置在稿台玻璃上。](#)

6. 根据需要指定设置。



A. 显示屏幕以指定份数。



使用 ▲▼ 按钮指定份数，然后使用 **OK** 按钮进行确认。

选择 **设置** 后可以指定份数。

B. 显示屏幕以指定色彩模式。



使用▲▼按钮指定色彩模式，然后使用 OK 按钮进行确认。

选择**设置**后可以指定色彩模式。

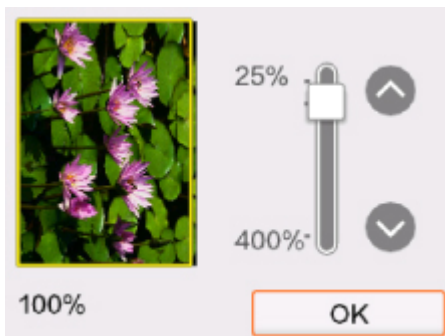
C. 显示打印设置项目。



有关设置项目的更多信息，请参见：

■ [设置复印项目](#)

D. 显示预览屏幕以预览打印结果的图像。



有关详细资料：

■ [显示预览屏幕](#)

7. 按**启动**按钮。

打印机开始复印。

复印完成后取出稿台玻璃上的原稿。

▶▶▶ **重要事项**

- 扫描结束之前，请勿打开文档盖板或从稿台玻璃上取出原稿。

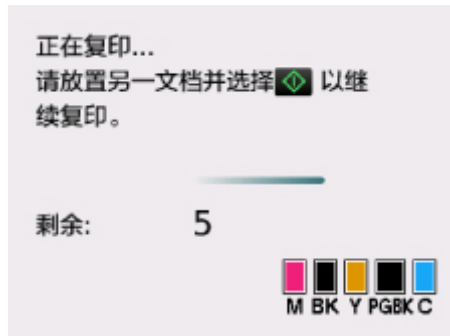
》》 注释

- 要取消复印，按**停止**按钮。

添加复印作业(预约复印)

打印时可以添加复印作业(预约复印)。

添加复印作业时显示以下屏幕。



将原稿放置在稿台玻璃上，然后按**启动**按钮。

》》 重要事项

- 将原稿放置在稿台玻璃上时，轻轻移动文档盖板。

》》 注释

- 当**打印质量**设置为高时，无法添加复印作业。
- 添加复印作业时，份数或设置如页尺寸、介质类型无法更改。
- 如果在处理预约复印时按**停止**按钮，将显示选择相应方法以取消复印的屏幕。如果选择**取消所有预约**，可以取消复印所有扫描数据。如果选择**取消最后一次预约**，可以取消最后的复印作业。
- 如果放置太多页文档以至于无法添加复印作业时，LCD 屏幕上可能会出现“**无法添加更多复印作业。请稍候并重新操作。**”。选择 **OK** 并等待一段时间，然后重新尝试复印。
- 如果扫描时“**预约复印作业失败。请重新开始。**”出现在 LCD 屏幕上，选择 **OK**，然后按**停止**按钮以取消复印。此后，复印未完成复印的文档。

设置复印项目

可以更改复印设置，如缩放倍率和浓度。

打印设置屏幕

»» 注释

- 有关打印设置屏幕或**照片复印**设置项目的更多信息，请参见复印照片。

显示打印设置屏幕的方式随复印菜单而不同。

- 在**标准复印**中：

通过选择复印待机屏幕上的**设置**可以显示以下屏幕。



份数	1
彩色	彩色
缩放	等倍率
浓度	0
页尺寸	A4

- 在**无边距复印**中：

复印前显示以下屏幕。



无边距复印	
份数	1
彩色	彩色
缩放	等倍率
浓度	0
页尺寸	A4



设置项目

可以指定以下设置项目。

使用▲▼按钮选择设置项目，然后按 **OK** 按钮以显示设置。使用▲▼按钮指定设置，然后按 **OK** 按钮以确认选择。



注 释

- 根据复印菜单，某些设置项目无法选择。本节描述**复印**的设置项目。
无法选择的设置项目显示为灰色。
有关**照片复印**设置项目的更多信息，请参见复印照片。
- 某些设置无法和其他设置项目或复印菜单的设置一起指定。如果选择了不能组合指定的设置，LCD 屏幕上会显示  和**错误详细信息**。在这种情况下，选择 LCD 屏幕左上方的  检查信息，然后更改设置。
- 即使关闭打印机，页尺寸、介质类型等设置仍会保留。
- 开始复印时，如果复印菜单中的指定设置不可用，LCD 屏幕上会显示“指定功能在当前设置下不可用。”。请按照屏幕上的说明更改设置。

1. 份数

指定份数。

2. 彩色

指定色彩模式。

3. 缩放

指定缩小/放大方式。

- 缩小/放大复印件

4. 浓度

指定浓度。

选择**自动**时，根据放置在稿台玻璃上的原稿自动调整浓度。

5. 页尺寸

选择已装入纸张的页尺寸。

6. 类型 (介质类型)

选择已装入纸张的介质类型。

7. 打印质量 (打印质量)

根据原稿调整打印质量。

▶▶▶ 重要事项

- 类型设置为**普通纸**且打印质量选择为**草稿**时，如果复印质量未达到预期效果，请选择**打印质量**为**标准**或**高**并再次尝试复印。
- 将**打印质量**选择为**高**以进行灰度复印。灰度使用灰色色系而不是黑色或白色进行调色。

8. 布局

选择布局。

- 将两页复印到一页上

从计算机扫描 (Mac OS)

- ▶ 使用扫描仪驱动程序(ICA 驱动程序)扫描
 - 使用 IJ Scan Utility
 - 使用扫描仪驱动程序(ICA 驱动程序)
- ▶ 使用 AirPrint 进行扫描
 - 使用 IJ Scan Utility Lite
- ▶ 扫描提示
 - 放置原稿(从计算机扫描)
 - 网络扫描设置

使用扫描仪驱动程序(ICA 驱动程序)扫描

- ▶ 使用 IJ Scan Utility
- ▶ 使用扫描仪驱动程序(ICA 驱动程序)

使用 IJ Scan Utility

- ▶ 什么是 IJ Scan Utility(扫描仪软件)?
- ▶ 启动 IJ Scan Utility
- ▶ 使用自动扫描功能♥基础
- ▶ 扫描文档
- ▶ 扫描照片
- ▶ 使用收藏夹设置扫描
- ▶ 扫描大于稿台玻璃的原稿(图像拼接)
 - 在图像拼接窗口中调整裁剪框
- ▶ 一次扫描多个原稿
- ▶ 检查扫描结果后保存
- ▶ 通过电子邮件发送扫描的图像
- ▶ 从扫描的图像中提取文本(OCR)
- ▶ IJ Scan Utility 屏幕

什么是 IJ Scan Utility(扫描仪软件)?

IJ Scan Utility 是一个用于扫描文档、照片和其他项目的应用程序。

可以从 IJ Scan Utility 主屏幕的图标直接访问所有扫描功能进行扫描和保存。



IJ Scan Utility 功能

多种扫描模式

使用**自动**模式只需单击一次即可使用默认设置扫描多种项目。**文档**会锐化文档或杂志中的文本以提高可读性，而**照片**最适合扫描照片。

»» 注释

- 有关 IJ Scan Utility 主屏幕的详细资料，请参见 [IJ Scan Utility 主屏幕](#)。

自动保存扫描的图像

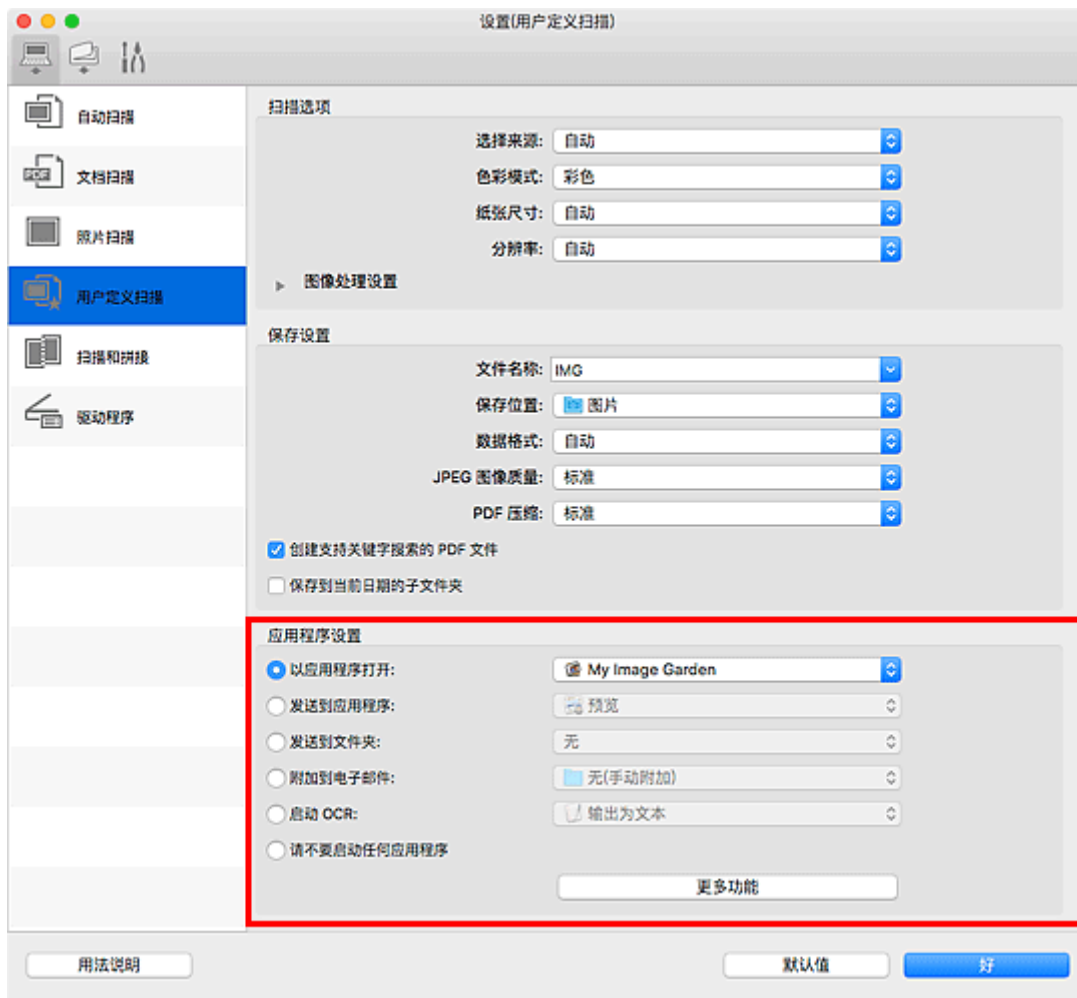
扫描的图像会自动保存至预设文件夹。可以根据需要更改文件夹。

»» 注释

- 默认保存至**图片**文件夹。
- 要更改文件夹，请参见[设置对话框](#)。

应用程序的集成

可以将扫描的图像发送至其他应用程序。例如，在喜爱的图形应用程序中显示扫描的图像、将其附加到电子邮件或从图像提取文本。



重要事项

- 某些功能只有在安装了 My Image Garden 时才可用。

注释

- 要设置与之集成的应用程序，请参见[设置对话框](#)。

启动 IJ Scan Utility

注 释

- 如果拥有多台扫描仪或已从 USB 连接更改为网络连接，请从 IJ Scan Utility 设置网络环境。

■ [网络扫描设置](#)

从 Finder 的**转到**菜单选择**应用程序**，双击 **Canon Utilities > IJ Scan Utility > Canon IJ Scan Utility2** 图标启动 IJ Scan Utility。



使用自动扫描功能

自动扫描可以自动检测项目类型。

重要事项

- 可能无法正确扫描以下类型的项目。在这种情况下，单击 IJ Scan Utility 主屏幕中的**驱动程序**，在显示的屏幕中调整裁剪框(选择框、扫描区域)，然后重新扫描。
 - 背景发白的照片
 - 打印在白纸上的项目、手写文本、名片和其他不清晰的项目
 - 薄的项目
 - 厚的项目

1. 确保扫描仪或打印机已开启。

2. 在稿台玻璃上放置项目。

■ [放置原稿\(从计算机扫描\)](#)

3. [启动 IJ Scan Utility。](#)

4. 单击**自动**。



扫描开始。

注释

- 要取消扫描，请单击**取消**。
- 要根据项目类型应用合适的修正，单击**设置...**，然后选中**应用推荐的图像修正对话框**中的**设置(自动扫描)**复选框。
- 扫描的图像保存在通过单击**设置...**显示的**设置(自动扫描)对话框**中为**保存位置**设置的文件夹中。在**设置(自动扫描)对话框**中，还可以进行高级扫描设置。
- 要扫描特定项目类型，请参见以下页面。
 - 扫描照片
 - 扫描文档
 - 使用收藏夹设置扫描

IJ Scan Utility 屏幕

▶ IJ Scan Utility 主屏幕

▶ 设置对话框

- 设置(自动扫描)对话框
- 设置(文档扫描)对话框
- 设置(照片扫描)对话框
- 设置(保存到计算机(自动))对话框
- 设置(基本设置)对话框

IJ Scan Utility 主屏幕

从 Finder 的**转到**菜单选择**应用程序**，双击 **Canon Utilities > IJ Scan Utility > Canon IJ Scan Utility2** 图标启动 IJ Scan Utility。

您只需通过单击相应图标就可以一次性完成从扫描到保存的整个过程。



产品名称

显示当前 IJ Scan Utility 设置使用的产品名称。

如果显示的产品不是要使用的产品，则从列表中选择所需产品。

此外，对于网络连接，选择产品名称后有“网络”的产品。

►► 注释

- 有关如何设置网络环境，请参阅“[网络扫描设置](#)”。

自动

自动检测项目类型并将其保存至计算机。保存的数据格式也会自动设置。

可以在[设置\(自动扫描\)对话框](#)中指定保存设置和扫描后的响应。

文档

将项目作为文档进行扫描并将其保存至计算机。

可以在[设置\(文档扫描\)对话框](#)中指定扫描/保存设置和扫描后的响应。

照片

将项目作为照片进行扫描并将其保存至计算机。

可以在[设置\(照片扫描\)对话框](#)中指定扫描/保存设置和扫描后的响应。

用户定义

使用收藏夹设置扫描项目并将图像保存至计算机。可以自动检测项目类型。

可以在[设置\(用户定义扫描\)对话框](#)中指定扫描/保存设置和扫描后的响应。

拼接

显示**图像拼接**窗口，可以在此窗口中扫描大于稿台玻璃的项目的左半边和右半边，然后再将扫描的图像合并成一幅图像。

可以在[设置\(扫描和拼接\)对话框](#)中指定扫描/保存设置和扫描后的响应。

驱动程序

可以在扫描时进行图像修正和色彩调整。

可以在[设置\(驱动程序\)对话框](#)中指定保存设置和扫描后的响应。




用法说明

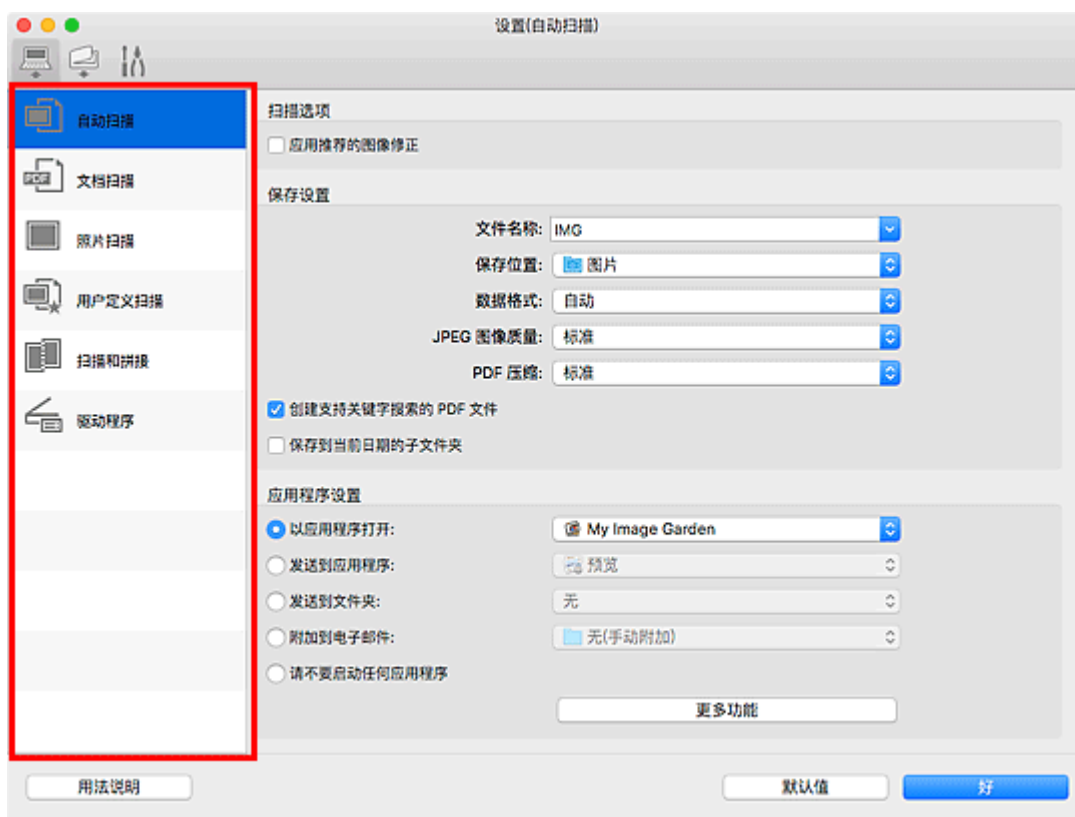
打开该指南。

设置...

显示[设置对话框](#)，可以在该对话框中指定扫描/保存设置和扫描后的响应。

设置对话框

设置对话框有三个选项卡： (从计算机扫描)、 (从操作面板扫描)和  (基本设置)。单击选项卡时，红框中可用的选项会切换；根据需要在各选项卡上设置每个功能的详细设置。



(从计算机扫描)选项卡

设置从 IJ Scan Utility 或 My Image Garden 扫描时的默认操作。

- [设置\(自动扫描\)对话框](#)
- [设置\(文档扫描\)对话框](#)
- 设置(照片扫描)对话框
- 设置(用户定义扫描)对话框
- 设置(扫描和拼接)对话框
- 设置(驱动程序)对话框


(从操作面板扫描)选项卡

设置从操作面板扫描时的默认操作。

- [设置\(保存到计算机\(自动\)\)对话框](#)
- 设置(保存到计算机(文档))对话框
- 设置(保存到计算机(照片))对话框
- 设置(附加到电子邮件(自动))对话框
- 设置(附加到电子邮件(文档))对话框

■ 设置(附加到电子邮件(照片))对话框

»» 重要事项

- 从 My Image Garden 显示设置对话框时，不会出现  (从操作面板扫描)选项卡。



(基本设置)选项卡

设置要使用的型号、电子邮件附件的文件大小限制、检测图像中文本的语言和临时保存图像的文件夹。

■ [设置\(基本设置\)对话框](#)

设置(自动扫描)对话框

单击  (从计算机扫描)选项卡上的**自动扫描**以显示**设置(自动扫描)**对话框。

在**设置(自动扫描)**对话框中，还可以进行高级扫描设置以通过自动检测项目类型进行扫描。



- (1) 扫描选项区域
- (2) 保存设置区域
- (3) 应用程序设置区域

重要事项

- 从 My Image Garden 显示设置对话框时，不会出现**应用程序设置**的设置项目。

支持的项目

照片、明信片、名片、杂志、报纸、文档和 BD/DVD/CD。

重要事项

- 要扫描以下类型的项目，在**设置(文档扫描)**对话框、**设置(照片扫描)**对话框或**设置(用户定义扫描)**对话框中指定项目类型和尺寸，然后在 IJ Scan Utility 主屏幕中单击**照片**、**文档**或**用户定义**。无法使用**自动正确扫描**。
 - A4 尺寸照片
 - 小于 2L(127 毫米 x 178 毫米)(5 英寸 x 7 英寸)的文本文档，例如切除书脊的平装本页面
 - 在薄白纸上打印的项目
 - 如全景照片的长窄项目
- 可能无法按预期扫描反光的光盘标签。
- 将要扫描的项目正确放置在稿台玻璃上。否则，可能无法正确扫描项目。

有关如何放置项目，请参阅“[放置原稿\(从计算机扫描\)](#)”。

►► 注释

- 要在扫描中减少莫尔条纹，请在**设置(文档扫描)**对话框或**设置(用户定义扫描)**对话框中将**选择来源**设置为**杂志**，然后单击 IJ Scan Utility 主屏幕中的**文档**或**用户定义**。

(1) 扫描选项区域

应用推荐的图像修正

根据项目类型自动应用合适的修正。

►► 重要事项

- 修正可能使色调与源图像有所不同。在这种情况下，不选中该复选框进行扫描。

►► 注释

- 启用此功能时，扫描时间要比平时长。

(2) 保存设置区域


文件名称

为要保存的图像输入文件名称。保存文件时，以“_20XX0101_0001”的格式在设置的文件名称后添加日期和四位数字。

►► 注释

- 当选择**保存到当前日期**的子文件夹复选框时，会在设置的文件名称后添加日期和四位数字。

保存位置

显示要保存扫描图像的文件夹。要添加文件夹，从弹出菜单中选择**添加...**，然后在显示的对话框中单击  (加号)并指定目标文件夹。

默认保存至**图片**文件夹。

►► 重要事项

- 从 My Image Garden 显示设置对话框时，不会出现该选项。

数据格式

选择**自动**。保存时，根据项目类型自动应用以下数据格式。

- 照片、明信片、BD/DVD/CD 和名片：JPEG
- 杂志、报纸和文档：PDF

►► 重要事项

- 根据如何放置项目，保存格式可能不同。

■ [放置原稿\(从计算机扫描\)](#)

JPEG 图像质量

可以指定 JPEG 文件的图像质量。

PDF 压缩

选择保存 PDF 文件时的压缩类型。

标准

一般情况下建议选择此设置。


高

保存时压缩文件大小可以减轻网络/服务器的负担。

创建支持关键字搜索的 PDF 文件

选中该复选框以将图像中的文本转换为文本数据并创建支持关键字搜索的 PDF 文件。

»» 注释

- 将创建可以使用在设置对话框中  (基本设置)选项卡上的**文档语言**中选择的语言搜索的 PDF 文件。

保存到当前日期的子文件夹

选中该复选框以在**保存位置**指定的文件夹中创建一个当前日期文件夹，并将扫描的图像保存在其中。将创建以如“20XX_01_01” (年_月_日)为名称的文件夹。

如果未选中该复选框，文件会直接保存在**保存位置**指定的文件夹中。

(3) 应用程序设置区域

以应用程序打开

要增强或修正扫描的图像时选择此项。

可以从弹出菜单中指定应用程序。

发送到应用程序

要在可以浏览或组织图像的应用程序中使用扫描的图像时选择此项。

可以从弹出菜单中指定应用程序。

发送到文件夹

要将扫描的图像同时保存到除**保存位置**中所指定文件夹以外的文件夹时选择此项。

可以从弹出菜单中指定文件夹。

附加到电子邮件


要发送附加有扫描图像的电子邮件时选择此项。

可以从弹出菜单中指定要启动的电子邮件客户端。

请不要启动任何应用程序

保存到**保存位置**中指定的文件夹。

»» 注释

- 要将应用程序或文件夹添加至弹出菜单，从弹出菜单中选择**添加...**，然后在显示的对话框中单击  (加号)并指定应用程序或文件夹。

用法说明

打开该指南。

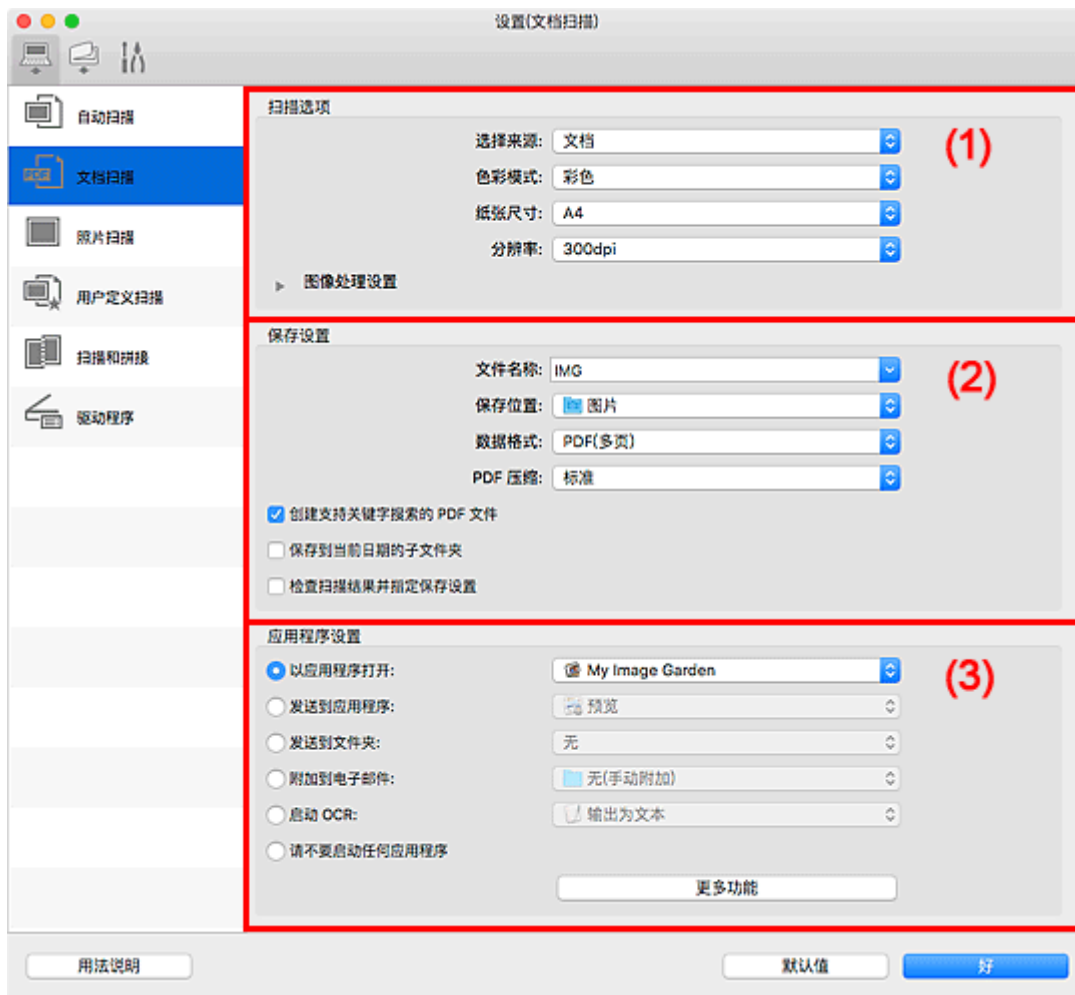
默认值

可以将显示屏幕的设置恢复为默认设置。

设置(文档扫描)对话框

单击  (从计算机扫描)选项卡上的**文档扫描**以显示**设置(文档扫描)**对话框。

在**设置(文档扫描)**对话框中，还可以进行高级扫描设置以将项目作为文档进行扫描。



- (1) 扫描选项区域
- (2) 保存设置区域
- (3) 应用程序设置区域

重要事项

- 从 My Image Garden 的扫描屏幕中显示设置对话框时，不会出现**应用程序设置**的设置项目。

(1) 扫描选项区域

选择来源

选择要扫描项目的类型。

- 扫描文档：**文档**
- 扫描杂志：**杂志**

色彩模式

选择要扫描项目的色彩模式。

纸张尺寸

选择要扫描项目的尺寸。

当选择**用户定义**时，出现可以指定纸张尺寸的屏幕。选择一个**单位**，然后输入**宽度**和**高度**，然后单击**好**。



宽度: 210.0 mm (25.4 - 215.9)
高度: 297.0 mm (25.4 - 297.0)
单位: mm

取消 默认值 好

»» 注释

- 单击**默认值**以将指定的设置恢复为默认设置。

分辨率

选择要扫描项目的分辨率。

分辨率(值)越高，图像越细致。

- 分辨率

»» 注释

- 在**应用程序设置**中选择**启动 OCR**时，仅能设置**300dpi**或**400dpi**。

图像处理设置

单击▶(向右箭头)设置以下项目。

»» 注释

- 色彩模式为**黑白**时，仅出现**减少装订线阴影**、**修正倾斜文本文档**和**检测文本文档方向并旋转图像**。

应用自动文档修复

选中该复选框以锐化文档或杂志中的文本方便阅读。

»» 重要事项

- 修正可能使色调与源图像有所不同。在这种情况下，不选中该复选框进行扫描。

»» 注释

- 启用此功能时，扫描时间要比平时长。

锐化轮廓

增强物体的轮廓以锐化图像。

减少透视阴影

锐化项目中的文本或减少报纸中的透视阴影等。

减少莫尔条纹

减小莫尔条纹。

印刷材料显示为精细点的集合。“莫尔”现象即扫描印有细小点的照片或图片所导致的不均匀渐变或条纹图案。

»» 注释

- 启用**减少莫尔条纹**时，扫描时间要比平时长。

减少装订线阴影

减少扫描打开的书册时页面之间出现的装订线阴影。

»» 注释

- 当扫描非标准尺寸项目或指定区域时，单击 IJ Scan Utility 主屏幕中的**驱动程序**并扫描以修正装订线阴影。
有关详细资料，请参阅“[装订线阴影修正](#)”。
- 启用该功能时，如果使用网络连接，扫描时间可能要比平时长。

修正倾斜文本文档

检测扫描的文本并修正文档的倾斜角度(-0.1 至-10 度内或+0.1 至+10 度内)。

»» 重要事项

- 由于无法正确检测文本，可能无法正确修正以下类型的文档。
 - 文档中文本线条的倾斜角度大于 10 度，或线条之间的角度不同
 - 同时包含垂直和水平方向文本的文档
 - 包含极大或极小字体的文档
 - 包含极少量文本的文档
 - 包含图形/图像的文档
 - 手写文本
 - 同时包含垂直和水平方向线条(表格)的文档

»» 注释

- 启用**修正倾斜文本文档**时，扫描时间要比平时长。

检测文本文档方向并旋转图像

通过检测扫描文档的文本方向将图像自动旋转至正确的方向。

»» 重要事项

- 仅支持从[设置\(基本设置\)对话框](#)的**文档语言**中选择的语言书写的文本文档。
- 由于无法正确检测文本，可能无法检测以下类型设置或文档的方向。
 - 分辨率在 300dpi 到 600dpi 的范围之外
 - 字体大小在 8 磅到 48 磅的范围之外
 - 包含特殊字体、效果、斜体字或手写文本的文档
 - 带有图案背景的文档

在这种情况下，选中**检查扫描结果并指定保存设置**复选框，然后在保存设置对话框中旋转图像。

(2) 保存设置区域


文件名称

为要保存的图像输入文件名称。保存文件时，以“_20XX0101_0001”的格式在设置的文件名称后添加日期和四位数字。

»» 注释

- 当选择**保存到当前日期**的子文件夹复选框时，会在设置的文件名称后添加日期和四位数字。

保存位置

显示要保存扫描图像的文件夹。要添加文件夹，从弹出菜单中选择**添加...**，然后在显示的对话框中单击  (加号)并指定目标文件夹。

默认保存至**图片**文件夹。

»» 重要事项

- 从 My Image Garden 显示设置对话框时，不会出现该选项。

数据格式

选择要保存扫描图像的数据格式。

可以选择 **JPEG/Exif**、**TIFF**、**PNG**、**PDF** 或 **PDF(多页)**。

»» 重要事项

- 当**色彩模式**为**黑白**时，无法选择 **JPEG/Exif**。
- 在**应用程序设置**中选择**启动 OCR**时，无法选择 **PDF** 或 **PDF(多页)**。

»» 注释

- 使用网络连接时，如果在**数据格式**中设置 **TIFF** 或 **PNG**，扫描时间可能要比平时长。

PDF 压缩

选择保存 PDF 文件时的压缩类型。

标准

一般情况下建议选择此设置。

高

保存时压缩文件大小可以减轻网络/服务器的负担。

»» 重要事项

- 仅当**数据格式**选择为 **PDF** 或 **PDF(多页)**时，才会出现此项。
- 当在**色彩模式**中选择**黑白**时，不会出现该选项。

JPEG 图像质量

可以指定 JPEG 文件的图像质量。

»» 重要事项

- 仅当**数据格式**选择为 **JPEG/Exif**时，才会出现此项。

创建支持关键字搜索的 PDF 文件


选中该复选框以将图像中的文本转换为文本数据并创建支持关键字搜索的 PDF 文件。

»» 重要事项

- 仅当**数据格式**选择为 **PDF** 或 **PDF(多页)**时，才会出现此项。

»» 注释

- 如果无法正确搜索文本，建议选择 300dpi 或更高的**分辨率**。

- 将创建可以使用在设置对话框中  (基本设置)选项卡上的**文档语言**中选择的语言搜索的 PDF 文件。

保存到当前日期的子文件夹

选中该复选框以在**保存位置**指定的文件夹中创建一个当前日期文件夹，并将扫描的图像保存在其中。将创建以如“20XX_01_01” (年_月_日)为名称的文件夹。

如果未选中该复选框，文件会直接保存在**保存位置**指定的文件夹中。

检查扫描结果并指定保存设置

扫描后显示保存设置对话框。

»» 重要事项

- 从 My Image Garden 显示设置对话框时，不会出现该选项。

(3) 应用程序设置区域

以应用程序打开

要增强或修正扫描的图像时选择此项。

可以从弹出菜单中指定应用程序。

发送到应用程序

要在可以浏览或组织图像的应用程序中使用扫描的图像时选择此项。

可以从弹出菜单中指定应用程序。

发送到文件夹

要将扫描的图像同时保存到除**保存位置**中所指定文件夹以外的文件夹时选择此项。

可以从弹出菜单中指定文件夹。

附加到电子邮件

要发送附加有扫描图像的电子邮件时选择此项。

可以从弹出菜单中指定要启动的电子邮件客户端。

启动 OCR


要将扫描图像中的文本转换为文本数据时选择此项。

可以从弹出菜单中指定应用程序。

请不要启动任何应用程序

保存到**保存位置**中指定的文件夹。

»» 注释

- 要将应用程序或文件夹添加至弹出菜单，从弹出菜单中选择**添加...**，然后在显示的对话框中单击  (加号)并指定应用程序或文件夹。

用法说明

打开该指南。

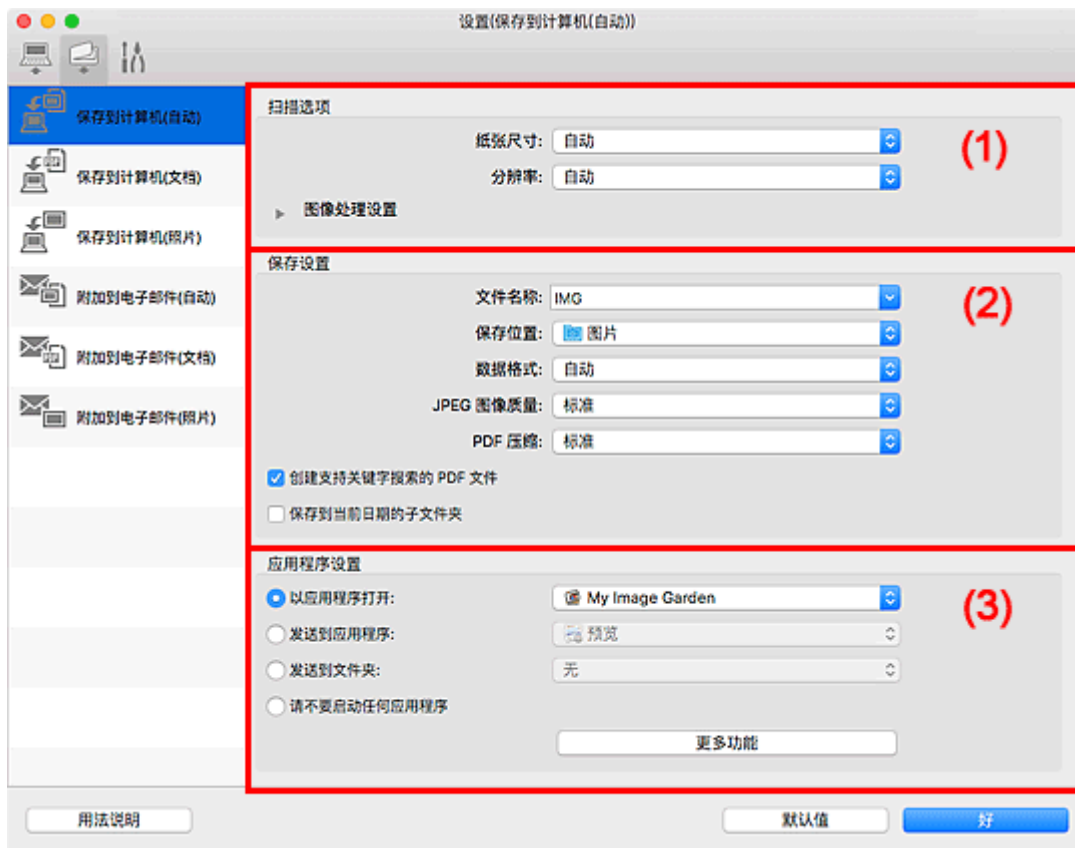
默认值

可以将显示屏幕的设置恢复为默认设置。

设置(保存到计算机(自动))对话框

单击  (从操作面板扫描)选项卡上的**保存到计算机(自动)**以显示**设置(保存到计算机(自动))**对话框。

在**设置(保存到计算机(自动))**对话框中，可以指定通过自动检测项目类型从操作面板扫描图像后将图像保存到计算机时如何响应。



- [\(1\) 扫描选项区域](#)
- [\(2\) 保存设置区域](#)
- [\(3\) 应用程序设置区域](#)

(1) 扫描选项区域


纸张尺寸

选择自动。

分辨率

选择自动。

图像处理设置

单击  (向右箭头)设置以下项目。

应用推荐的图像修正

根据项目类型自动应用合适的修正。

▶▶▶ 重要事项

- 修正可能使色调与源图像有所不同。在这种情况下，不选中该复选框进行扫描。

»» 注释

- 启用此功能时，扫描时间要比平时长。

(2) 保存设置区域


文件名称

为要保存的图像输入文件名称。保存文件时，以“_20XX0101_0001”的格式在设置的文件名称后添加日期和四位数字。

»» 注释

- 当选择**保存到当前日期**的子文件夹复选框时，会在设置的文件名称后添加日期和四位数字。

保存位置

显示要保存扫描图像的文件夹。要添加文件夹，从弹出菜单中选择**添加...**，然后在显示的对话框中单击  (加号)并指定目标文件夹。

默认保存至**图片**文件夹。

数据格式

选择**自动**。保存时，根据项目类型自动应用以下数据格式。

- 照片、明信片、BD/DVD/CD 和名片：JPEG
- 杂志、报纸和文档：PDF

»» 重要事项

- 根据如何放置项目，保存格式可能不同。
有关如何放置项目，请参阅“[放置原稿\(从计算机扫描\)](#)”。

JPEG 图像质量

可以指定 JPEG 文件的图像质量。

PDF 压缩

选择保存 PDF 文件时的压缩类型。

标准

一般情况下建议选择此设置。


高

保存时压缩文件大小可以减轻网络/服务器的负担。

创建支持关键字搜索的 PDF 文件

选中该复选框以将图像中的文本转换为文本数据并创建支持关键字搜索的 PDF 文件。

»» 注释

- 将创建可以使用在设置对话框中  (基本设置)选项卡上的**文档语言**中选择的语言搜索的 PDF 文件。

保存到当前日期的子文件夹

选中该复选框以在**保存位置**指定的文件夹中创建一个当前日期文件夹，并将扫描的图像保存在其中。将创建以如“20XX_01_01”(年_月_日)为名称的文件夹。

如果未选中该复选框，文件会直接保存在**保存位置**指定的文件夹中。

(3) 应用程序设置区域

以应用程序打开

要增强或修正扫描的图像时选择此项。

可以从弹出菜单中指定应用程序。

发送到应用程序

要在可以浏览或组织图像的应用程序中使用扫描的图像时选择此项。

可以从弹出菜单中指定应用程序。

发送到文件夹


要将扫描的图像同时保存到除**保存位置**中所指定文件夹以外的文件夹时选择此项。

可以从弹出菜单中指定文件夹。

请不要启动任何应用程序

保存到**保存位置**中指定的文件夹。

▶▶▶ 注释

- 要将应用程序或文件夹添加至弹出菜单，从弹出菜单中选择**添加...**，然后在显示的对话框中单击  (加号)并指定应用程序或文件夹。


用法说明

打开该指南。

默认值

可以将显示屏幕的设置恢复为默认设置。

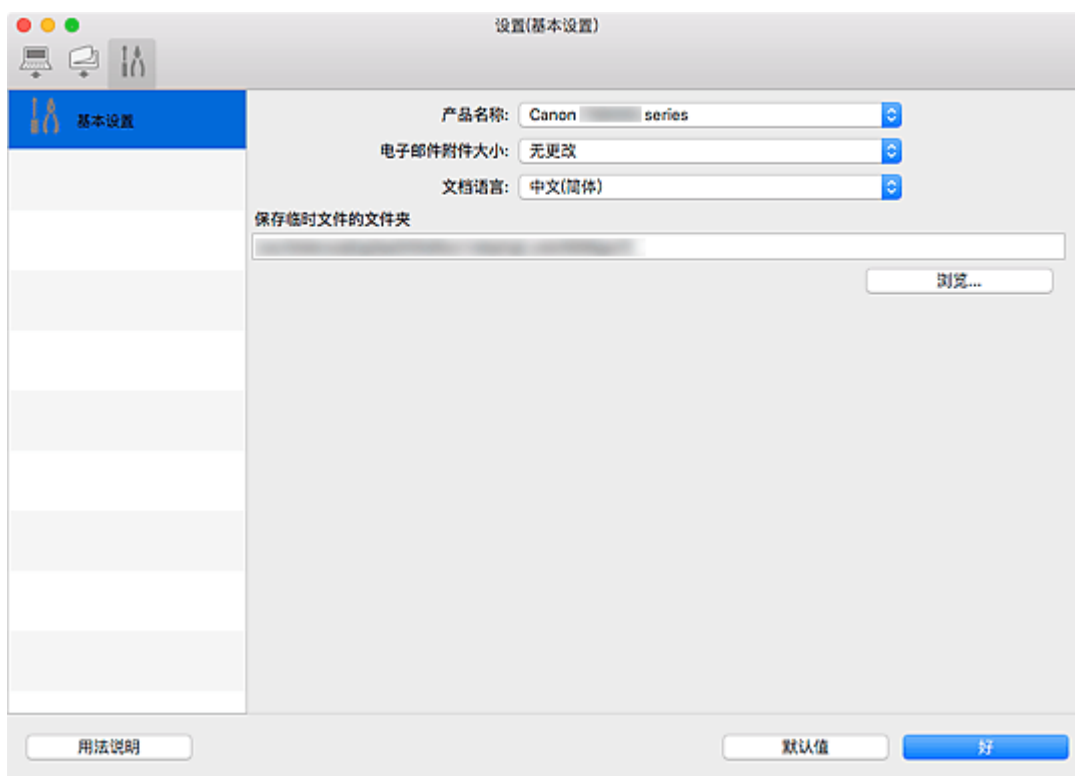
设置(基本设置)对话框

单击  (基本设置)选项卡以显示**设置(基本设置)**对话框。

在**设置(基本设置)**对话框中，可以设置要使用的产品、电子邮件附件的文件大小限制、检测图像文本的语言和临时保存图像的文件夹。

重要事项

- 从 My Image Garden 显示设置对话框时，某些选项可能不会出现。



产品名称

显示当前 IJ Scan Utility 设置使用的产品名称。

如果显示的产品不是要使用的产品，则从列表中选择所需产品。

此外，对于网络连接，选择产品名称后有“网络”的产品。

注释

- 通过网络连接时，**选择**出现在产品名称的右侧。单击**选择**以显示网络选择屏幕，可以在该屏幕中更改要使用的扫描仪。有关设置步骤，请参阅“[网络扫描设置](#)”。

电子邮件附件大小

可以限制要附加到电子邮件的扫描图像的大小。

可以选择小(适用于 640 x 480 窗口)、中(适用于 800 x 600 窗口)、大(适用于 1024 x 768 窗口)或无更改。

文档语言

可以为检测图像中的文本选择语言，也可以为创建的支持关键字搜索的 PDF 文件选择搜索时使用的语言。

保存临时文件的文件夹

显示用于暂时保存图像的文件夹。单击**浏览...**指定目标文件夹。

用法说明

打开该指南。

默认值

可以将显示屏幕的设置恢复为默认设置。

网络选择屏幕

可以选择通过网络从计算机或操作面板进行扫描或打印的扫描仪或打印机。

网络选择屏幕

在**设置(基本设置)**对话框的**产品名称**中，从列表中选择产品名称后带有“网络”的项目，然后单击出现在产品名称右侧的**选择**以显示网络选择屏幕。

扫描仪

显示可以通过网络使用的扫描仪或打印机的 Bonjour 服务名称。

您可以为每个型号选择一个扫描仪或打印机。选择扫描仪或打印机将自动启用从操作面板扫描。

重要事项

- 如果禁用 Bonjour，您将无法通过网络使用。在所用的扫描仪或打印机上启用 Bonjour。
- 如果已通过 Bonjour 服务名称在选择扫描仪或打印机后更改了 Bonjour 服务名称，则请重新打开网络选择屏幕，并从**扫描仪**中选择新的 Bonjour 服务名称。

用法说明

打开该指南。

从操作面板扫描设置

显示从操作面板扫描设置屏幕。最多总共可以选择三个扫描仪和打印机用于从操作面板进行扫描。可以使用所选扫描仪或打印机的操作面板扫描项目，然后通过网络将扫描的图像发送到计算机。

重要事项

- 如果使用的型号无法从操作面板通过网络进行扫描，**扫描仪**中不会出现该型号，并且此设置不可用。

从操作面板扫描设置屏幕

在网络选择屏幕中单击**从操作面板扫描设置**以显示从操作面板扫描设置屏幕。

扫描仪

显示可以通过网络使用的扫描仪或打印机的 Bonjour 服务名称。

一次最多总共可以选择三个扫描仪和打印机。

重要事项

- 如果禁用 Bonjour，您将无法通过网络使用。在所用的扫描仪或打印机上启用 Bonjour。
- 如果已通过 Bonjour 服务名称在选择扫描仪或打印机后更改了 Bonjour 服务名称，则请重新打开网络选择屏幕，并从**扫描仪**中选择新的 Bonjour 服务名称。

注释

- 如果所用的扫描仪或打印机的 Bonjour 服务名称未显示或无法选择，请检查以下内容，单击**好**以关闭屏幕，然后重新打开屏幕并尝试重新选择。
 - 已安装扫描仪驱动程序[ICA(图像捕捉结构)驱动程序]。
 - 安装扫描仪驱动程序后已完成扫描仪或打印机的网络设置

- 已启用扫描仪或打印机和计算机间的网络通讯
如果问题仍未解决，请参见[网络通讯问题](#)。

使用扫描仪驱动程序(ICA 驱动程序)

可以通过从多种应用程序启动扫描仪驱动程序进行扫描。

有关如何扫描，请参阅 Mac OS 的帮助文件。

»» 注释

- 有关图像修正和色彩调整的设置步骤的详细资料，请参阅“[图像修正和色彩调整](#)”。
- 有关扫描仪驱动程序，请参阅“[注意事项\(扫描仪驱动程序\)](#)”。
- 有关扫描仪驱动程序，请参阅“[更新扫描仪驱动程序](#)”。
- 在 IJ Scan Utility 的设置(驱动程序)对话框中，也可以使用扫描仪驱动程序进行高级扫描设置。

图像修正和色彩调整

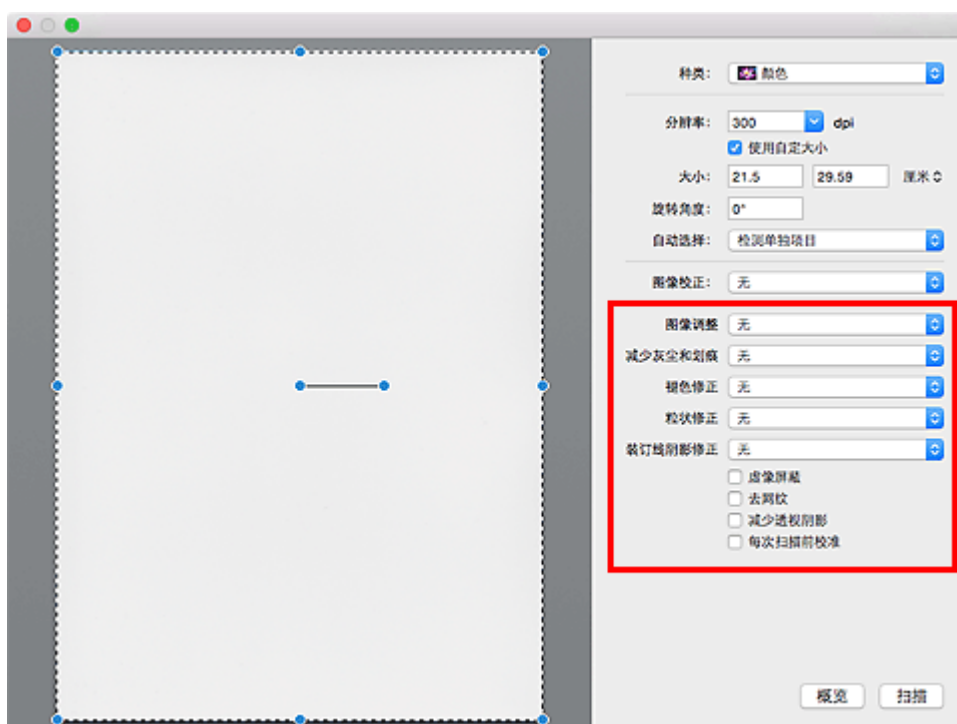
使用扫描仪驱动程序[ICA(图像捕捉结构)驱动程序]修正图像并调整颜色。

重要事项

- 将图像修正或色彩调整应用到没有莫尔条纹、灰尘/划痕或褪色的项目时，色调可能会受到不利影响。
- 图像修正效果不会显示在测试扫描屏幕中。

注释

- 根据应用程序，屏幕会有所不同。
- 根据**种类**设置，有不同可选的设置。
- 当应用图像修正或色彩调整时，扫描时间要比平时长。



图像调整

当设置图像调整时，指定范围内图像的亮度将调整到最佳状态。根据自动检测的项目类型或指定的项目类型，图像可以被调整。调整的效果将体现在整幅图像上。

无

将不会应用图像调整。

自动

通过自动检测项目类型应用图像调整。一般情况下建议选择此设置。

照片

应用适用于照片的图像调整。

杂志

应用适用于杂志的图像调整。

文档

应用适用于文本文档的图像调整。

注 释

- 如果使用**自动**不能正确调整图像，请指定项目类型。
- 图像调整可能使源图像的色调有所变化。在这种情况下，请将**图像调整**设置为**无**。

减少灰尘

扫描的照片可能包含灰尘或划痕造成的白点。使用此功能以减少此类噪点。

无

将不能减少灰尘和划痕。

低

选择该项以减少灰尘颗粒和划痕。大颗粒可能仍然残留。

中

一般情况下建议选择此设置。

高

选择此选项以减少大灰尘颗粒和划痕；但是，可能会残留消除处理的痕迹或去除图像的细节部分。

重要事项

- 该功能对某些类型照片可能无效。

注 释

- 推荐您在扫描打印的材料时选择**无**。

褪色修正

使用该功能以修正因年代久远或有色偏的照片。“色偏”是指由于天气或周围环境的强烈色彩而导致某种特定色彩影响整个画面的一种现象。

无

将不能应用褪色修正。

低

选择该项以修正轻微的褪色和色偏。

中

一般情况下建议选择此设置。

高

选择该项以修正明显的褪色和色偏。这会影响图像的色调。

重要事项

- 如果扫描区域太小，可能无法正确应用修正。
- 如果没有为**种类**选择**色彩**，将无效。

粒状修正

使用该功能以减少使用高速或敏感胶片等拍摄照片产生的粒状(噪点)。

无

将不能减少粒状。

低

当照片有轻微粒状时，选择该项。

中

一般情况下建议选择此设置。

高

当照片有明显粒状时，选择该项。这会影响图像的渐变和锐化。

重要事项

- 如果扫描区域太小，可能无法正确应用修正。

装订线阴影修正

使用该功能以修正扫描打开的书册时页面之间出现的阴影。

无法修正由于折皱页面造成的污渍或污损文本/线条。

无

将不会修正装订线阴影。

低

当使用中级设置效果级别太强时，请选择该项。

中

一般情况下建议选择此设置。

高

当使用中级设置效果级别太弱时，请选择该项。

重要事项

- 请勿将 2.0 千克(4.4 磅)或更重的物体放在稿台玻璃上。此外，请勿以超过 2.0 千克(4.4 磅)的力量按压项目。如果压力过重，扫描仪可能无法正常工作或可能损坏玻璃。
- 将项目与稿台玻璃边缘对齐。如果倾斜放置，可能无法正确应用修正。



- 根据项目，可能无法正确应用修正。如果页面背景不是白色，可能无法正确或根本无法检测出阴影。
- 扫描过程中，以预览扫描时所用相同大小的压力按压书脊。如果装订部分不平，将无法正确应用修正。



- 项目放置方式取决于您的机器型号和要扫描的项目。

虚像屏蔽

增强物体的轮廓以锐化图像。

去网纹

减小莫尔条纹。

印刷材料显示为精细点的集合。“莫尔”现象即扫描印有细小点的照片或图片所导致的不均匀渐变或条纹图案。

重要事项

- 启用去网纹时，禁用虚像屏蔽。如果启用虚像屏蔽，可能仍有莫尔效果。

注释

- 启用去网纹时，扫描时间要比平时长。

减少透视阴影

扫描文档时使用此功能减少双面文档中的透视阴影或将再生纸及其他彩色纸的底色变亮。

重要事项

- 仅当为图像调整选择文档或杂志时，减少透视阴影才有效。

每次扫描前校准

每次测试扫描和扫描前校准扫描仪，以在扫描的图像中再现修正色调。

注释

- 根据计算机，校准可能要花费一些时间。

注意事项(扫描仪驱动程序)

扫描仪驱动程序[ICA(图像捕捉结构)驱动程序]遵循以下限制条件。使用扫描仪驱动程序时，请注意以下要点。

扫描仪驱动程序的限制

- 如果计算机在多用户之间共享，或如果您注销后再登录，可能出现一个表明扫描仪驱动程序正在使用的信息。在这种情况下，请从计算机上断开 USB 电缆线，然后重新连接。
- 如果当扫描仪驱动程序处于激活状态时计算机已从睡眠状态恢复，则可能无法扫描。在这种情况下，按照以下步骤并重新扫描。
 1. 关闭本机。
 2. 退出扫描仪驱动程序，然后从计算机上断开 USB 电缆线，并重新连接。
 3. 开启本机。
- 请勿将两台或更多台扫描仪，或具有扫描仪功能的多功能打印机同时连接到同一台计算机上。如果连接了多个扫描设备，您将无法从本机的操作面板进行扫描并且可能会在访问设备时出现错误。
- 通过连接至网络使用兼容网络的型号时，无法同时从多台计算机访问本机。
- 通过连接至网络使用兼容网络的型号时，扫描时间要比平时长。
- 当以高分辨率扫描大型图像时，请确保有足够的可用磁盘空间。例如，至少需要 300MB 可用空间才能以全彩 600dpi 扫描 A4 文档。
- 请勿在扫描过程中将计算机设置为待机或睡眠状态。

更新扫描仪驱动程序

- ▶ 获取最新的扫描仪驱动程序
- ▶ 安装扫描仪驱动程序之前
- ▶ 安装扫描仪驱动程序

获取最新的扫描仪驱动程序

将当前的扫描仪驱动程序[ICA(图像捕捉结构)驱动程序]升级为最新的扫描仪驱动程序，可能会解决遇到的一些问题。

要获取扫描仪驱动程序，请访问我们的网站并为您的机型下载扫描仪驱动程序。

重要事项

- 扫描仪驱动程序可以免费下载；但是，网络连接需要支付费用。

相关主题

- [安装扫描仪驱动程序之前](#)
- [安装扫描仪驱动程序](#)

安装扫描仪驱动程序之前

在安装扫描仪驱动程序[ICA(图像捕捉结构)驱动程序]前检查以下几点。无法安装扫描仪驱动程序时也请确认这些项目。

本机状态

- 如果本机与计算机通过 USB 电缆线连接，请从计算机拔下 USB 电缆线。

计算机设置

- 关闭所有运行中的应用程序。
- 以计算机管理员身份登录。将需要输入具有计算机管理员权限的用户的名称和密码。如果在 Mac OS X 上有多个用户帐号，请以第一次创建的计算机管理员身份登录。

重要事项

- 如果您在安装新版本扫描仪驱动程序后再安装旧版本，扫描仪驱动程序可能无法正常操作。在这种情况下，重新安装较新的扫描仪驱动程序。

注释

- 当安装多个版本的扫描仪驱动程序时，请首先安装旧版本的扫描仪驱动程序。

相关主题

- [获取最新的扫描仪驱动程序](#)
- [安装扫描仪驱动程序](#)

安装扫描仪驱动程序

通过网络访问我们的网站以下载最新的扫描仪驱动程序[ICA(图像捕捉结构)驱动程序]。

按照以下步骤安装下载的扫描仪驱动程序。

1. 显示磁盘。

双击已下载的磁盘图像文件。

文件解压缩并释放磁盘。

2. 启动安装程序。

双击解压缩磁盘中的“.pkg”文件。

安装开始。

3. 安装驱动程序。

根据提示完成安装。

当出现许可协议屏幕时，请阅读条款并单击**继续**。如果不接受许可协议，您不能安装该软件。

如果出现认证屏幕，请输入管理员的名称和密码，然后单击**安装软件**。

4. 完成安装。

已安装扫描仪驱动程序。

如果存在多台扫描仪或存在兼容网络的型号并已将连接从 USB 连接更改为网络连接，请设置网络环境。

有关设置步骤，请参阅“[网络扫描设置](#)”。

重要事项

- 如果在安装过程中单击**返回**，安装可能失败。在这种情况下，请从**安装程序**菜单中选择**退出安装程序**以结束安装，然后重新启动安装。
- 扫描仪驱动程序可以免费下载；但是，网络连接需要支付费用。

相关主题

- [获取最新的扫描仪驱动程序](#)
- [安装扫描仪驱动程序之前](#)

使用 AirPrint 进行扫描

- ▶ [使用 IJ Scan Utility Lite](#)

使用 IJ Scan Utility Lite

- ▶ 什么是 IJ Scan Utility Lite(扫描仪软件)?
- ▶ 启动 IJ Scan Utility Lite
- ▶ 扫描文档和照片  基础
- ▶ 扫描大于稿台玻璃的原稿(图像拼接)
 - 在图像拼接窗口中调整裁剪框
- ▶ 从自动输稿器一次扫描多个文档
- ▶ 检查扫描结果后保存
- ▶ IJ Scan Utility Lite 屏幕

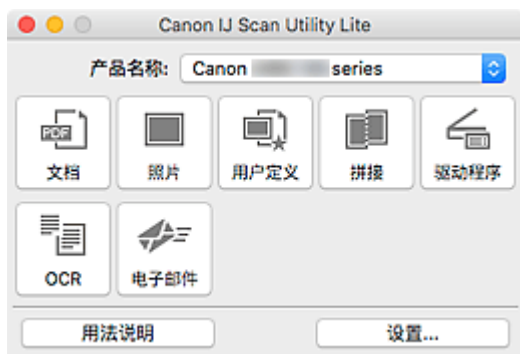
重要事项

- 根据扫描仪或打印机，可用的功能和设置有所不同。

什么是 IJ Scan Utility Lite(扫描仪软件)?

IJ Scan Utility Lite 是一个用于扫描文档、照片和其他项目的应用程序。

从 IJ Scan Utility Lite 主屏幕中的图标访问所有扫描功能，并直接进行扫描和保存。



»» 注释

- 要使用更多功能，请从我们的网站安装并使用扫描仪驱动程序和 IJ Scan Utility。

IJ Scan Utility Lite 功能

多种扫描模式

只需根据项目类型或用途单击图标即可进行扫描，如单击**文档**锐化文档中的文本以方便阅读，或单击**照片**使用适用于照片的设置进行扫描。

»» 注释

- 有关 IJ Scan Utility Lite 主屏幕的详细资料，请参见 [IJ Scan Utility Lite 主屏幕](#)。

自动保存扫描的图像

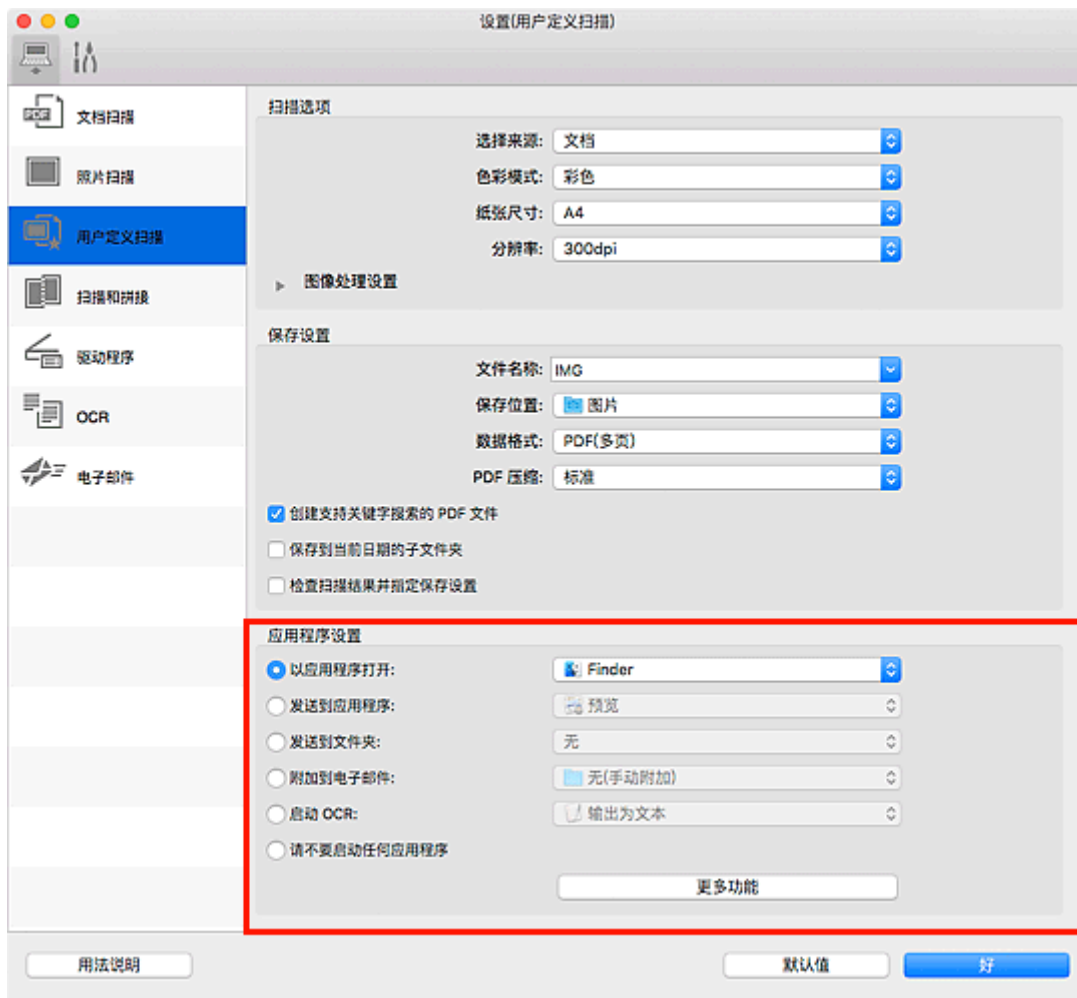
扫描的图像会自动保存至预设文件夹。可以根据需要更改文件夹。

»» 注释

- 默认保存至**图片**文件夹。
- 有关如何指定文件夹，请参见[设置对话框](#)。

应用程序的集成

通过集成其他应用程序来使用扫描的图像；在喜爱的应用程序中显示扫描的图像、将其附加到电子邮件、从图像提取文本以及进行其他操作。



重要事项

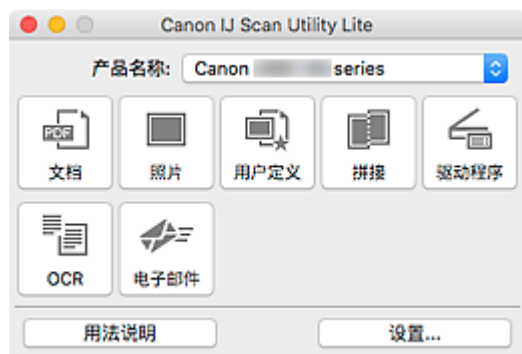
- 某些功能只有在安装了 My Image Garden 时才可用。

注释

- 要设置与之集成的应用程序，请参见[设置对话框](#)。

启动 IJ Scan Utility Lite

从 Finder 的**转到**菜单选择**应用程序**，双击 **Canon Utilities > IJ Scan Utility > Canon IJ Scan Utility Lite** 图标启动 IJ Scan Utility Lite。



重要事项

- 如果未检测到可用的扫描仪或打印机，双击 **Canon IJ Scan Utility Lite** 图标不久后则会出现一条错误信息。

扫描文档和照片

使用适合文档或照片的设置，扫描放置在稿台玻璃上的项目。此外，使用预先保存的收藏夹设置进行扫描。

1. 将项目放置在稿台玻璃上。

请将项目正面向下放置在稿台玻璃上并将项目的一个顶角与稿台玻璃箭头(对齐标记)指向的角对齐。

2. [启动 IJ Scan Utility Lite。](#)

3. 单击**设置...**，然后根据需要在设置对话框中设置项目类型、分辨率等。

»» 注释

- 有关在设置对话框中设置项目的详细资料，请参阅以下页面。
 - 设置(文档扫描)对话框
 - 设置(照片扫描)对话框
 - 设置(用户定义扫描)对话框
- 在设置对话框中完成设置后，下次可以使用相同的设置进行扫描。

当设置完成时，单击**好**。

4. 单击**文档**、**照片**或**用户定义**。



扫描开始。

»» 注释

- 要取消扫描，请单击**取消**。
- 扫描的图像保存在通过单击**设置...**显示的对应设置对话框中为**保存位置**设置的文件夹中。在各设置对话框中，还可以进行高级扫描设置。

IJ Scan Utility Lite 屏幕

▶ IJ Scan Utility Lite 主屏幕

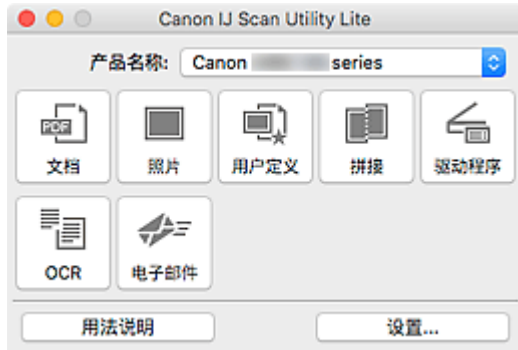
▶ 设置对话框

- 设置(文档扫描)对话框
- 设置(照片扫描)对话框
- 设置(基本设置)对话框

IJ Scan Utility Lite 主屏幕

从 Finder 的**转到**菜单选择**应用程序**，双击 **Canon Utilities > IJ Scan Utility > Canon IJ Scan Utility Lite** 图标启动 IJ Scan Utility Lite。

您只需通过单击相应图标就可以一次性完成从扫描到保存的整个过程。



产品名称

显示当前 IJ Scan Utility Lite 设置使用的 Bonjour 服务名称。

如果显示的 Bonjour 服务名称不同于要使用的名称，请选择要使用的 Bonjour 服务名称。

重要事项

- 如果禁用 Bonjour，您将无法通过网络使用。在所用的扫描仪或打印机上启用 Bonjour。
- 如果未出现 Bonjour 服务名称或已更改 Bonjour 服务名称，请启动 IJ Scan Utility Lite，过一段时间后再重启，然后从**产品名称**选择 Bonjour 服务名称。
- 如果扫描仪或打印机已安装 ICA(图像捕捉结构)驱动程序，并且通过 USB 连接使用，产品名称后会出现“USB”。

文档

将项目作为文档进行扫描并将其保存至计算机。

可以在设置(文档扫描)对话框中指定扫描/保存设置和扫描后的响应。

照片

将项目作为照片进行扫描并将其保存至计算机。

可以在设置(照片扫描)对话框中指定扫描/保存设置和扫描后的响应。

用户定义

使用收藏夹设置扫描项目并将图像保存至计算机。可以自动检测项目类型。

可以在设置(用户定义扫描)对话框中指定扫描/保存设置和扫描后的响应。

拼接

显示**图像拼接**窗口，可以在此窗口中扫描大于稿台玻璃的项目的左半边和右半边，然后再将扫描的图像合并成一幅图像。

可以在设置(扫描和拼接)对话框中指定扫描/保存设置和扫描后的响应。

驱动程序

可以在扫描时进行图像修正和色彩调整。

可以在设置(驱动程序)对话框中指定保存设置和扫描后的响应。

OCR

扫描已扫描杂志和报纸中的文本，并在指定的应用程序中显示。

电子邮件

可以通过电子邮件发送扫描的图像。

可以在设置(电子邮件)对话框中指定扫描/保存设置和应用程序。

用法说明

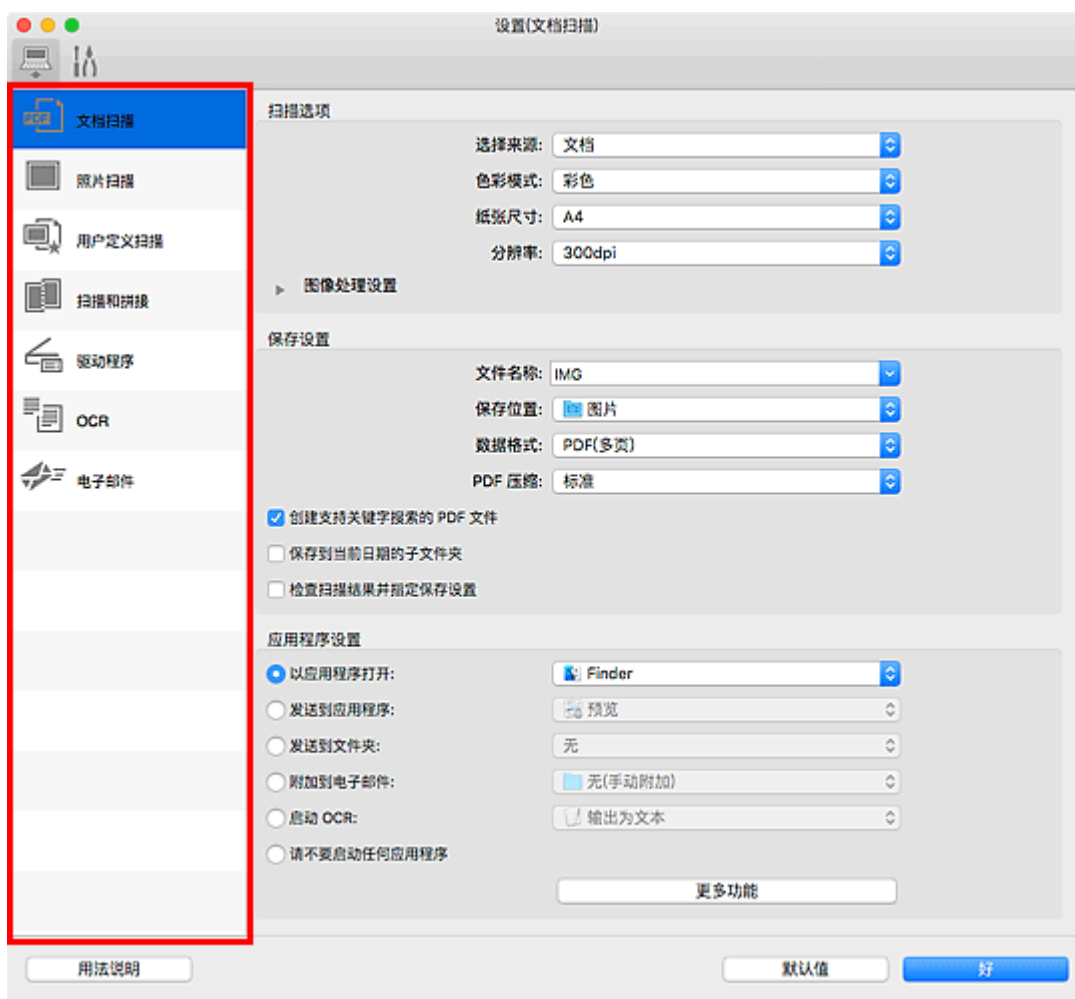
打开该指南。

设置...

显示[设置对话框](#)，可以在该对话框中指定扫描/保存设置和扫描后的响应。

设置对话框

设置对话框有两个选项卡： (从计算机扫描)和 (基本设置)。单击选项卡时，红框中可用的选项会切换；根据需要在各选项卡上设置每个功能的详细设置。



(从计算机扫描)选项卡

设置从 IJ Scan Utility Lite 或 My Image Garden 扫描时的默认操作。

- 设置(文档扫描)对话框
- 设置(照片扫描)对话框
- 设置(用户定义扫描)对话框
- 设置(扫描和拼接)对话框
- 设置(驱动程序)对话框
- 设置(OCR)对话框
- 设置(电子邮件)对话框

重要事项

- My Image Garden 的扫描屏幕显示设置对话框时，不会出现设置(OCR)对话框和设置(电子邮件)对话框。



(基本设置)选项卡

设置要使用的型号、电子邮件附件的文件大小限制和用于检测图像文本的语言。

- 设置(基本设置)对话框

扫描提示

- ▶ 放置原稿(从计算机扫描)
- ▶ 网络扫描设置

放置原稿(从计算机扫描)

本节描述如何在稿台玻璃上放置用于扫描的原稿。如果没有正确放置项目，可能不会正确扫描。

重要事项


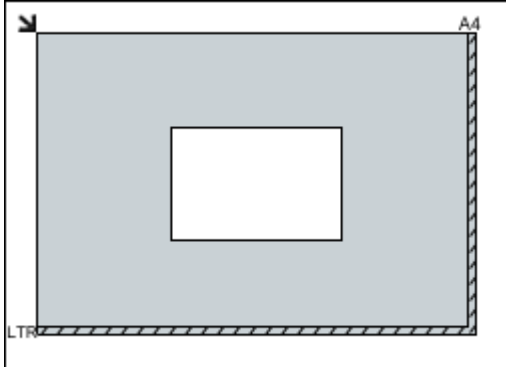

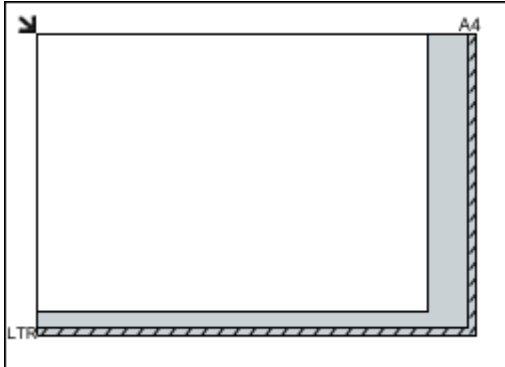
- 请勿在文档盖板上放置物体。打开文档盖板时，物体可能会落入扫描仪或打印机内部，导致故障。
- 扫描时关闭文档盖板。

放置项目

根据以下说明放置项目以通过自动检测项目类型和尺寸进行扫描。

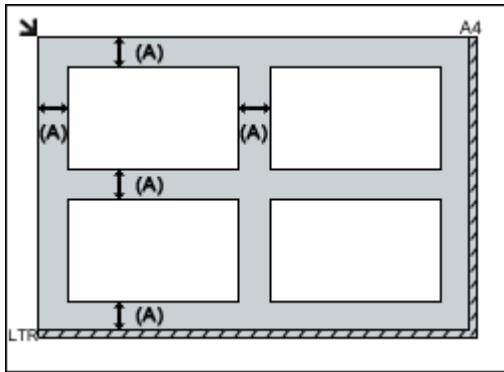
重要事项

- 在 IJ Scan Utility 或扫描仪驱动程序[ICA(图像捕捉结构)驱动程序]中指定纸张尺寸进行扫描时，将项目的一个顶角与稿台玻璃箭头(对齐标记)指向的角对齐。
- 扫描时剪切成不规则形状的照片和小于 3 厘米(1.2 英寸)的正方形项目无法被正确裁剪。
- 可能无法按预期扫描反光的光盘标签。
- 如果使用扫描仪驱动程序扫描，响应可能会不同。在这种情况下，手动调整裁剪框(选择框)。

照片、明信片、名片和 BD/DVD/CD	杂志、报纸和文档
<div data-bbox="220 981 724 1099"></div> <p data-bbox="188 1151 300 1180">单个项目：</p> <p data-bbox="188 1200 834 1299">将项目正面向下放置在稿台玻璃上，在稿台玻璃边缘(斜纹区)与项目之间留有 1 厘米(0.4 英寸)或更多空间。无法扫描放置在斜纹区的部分。</p> <div data-bbox="188 1317 695 1682"></div> <div data-bbox="188 1709 379 1742">重要事项</div> <ul data-bbox="212 1760 834 1859" style="list-style-type: none">• 无法放置在远离稿台玻璃边缘/箭头(对齐标记)的大型项目(如 A4 尺寸照片)可能被保存为 PDF 文件。要以除 PDF 之外的格式保存，请按照指定的数据格式扫描。	<div data-bbox="951 981 1331 1099"></div> <p data-bbox="863 1140 1422 1238">请将项目正面向下放置在稿台玻璃上并将项目的一个顶角与稿台玻璃箭头(对齐标记)指向的角对齐。无法扫描放置在斜纹区的部分。</p> <div data-bbox="863 1256 1370 1621"></div> <div data-bbox="863 1648 1054 1682">重要事项</div> <ul data-bbox="887 1700 1393 1765" style="list-style-type: none">• 有关无法用于扫描项目的位置，请参见放置原稿。

多个项目：

允许稿台玻璃边缘(斜纹区)与项目以及项目与项目之间留有 1 厘米(0.4 英寸)或更大的空间。无法扫描放置在斜纹区的部分。



(A) 1 厘米(0.4 英寸)以上

注 释

- 在 IJ Scan Utility 中，最多可放置 12 个项目。
- 将自动修正倾斜项目(等于或小于 10 度)的位置。

网络扫描设置

可以将扫描仪或打印机连接到网络上以在多台计算机中共享它或将图像扫描至指定的计算机中。

重要事项

- 多个用户无法同时扫描。
- 要通过网络进行扫描，需要在所用的扫描仪或打印机上启用 Bonjour。

注释

- 按照我们网页上的以下说明预先完成所用扫描仪或打印机的网络设置。
- 通过网络连接时，扫描时间要比 USB 连接的扫描时间长。

使用 IJ Scan Utility 扫描的设置

在 IJ Scan Utility 主屏幕中，选择连接到网络的扫描仪或打印机。

1. [启动 IJ Scan Utility。](#)
2. 在**产品名称**中选择“Canon XXX series Network”（“XXX”表示型号名称）。
可以通过网络连接进行扫描。

注释

- 如果无法扫描，请检查是否在[网络选择屏幕](#)中选择了所用扫描仪或打印机。


从操作面板进行扫描设置

可以从操作面板进行扫描设置。

1. [启动 IJ Scan Utility。](#)
2. 单击**设置...**。



显示[设置对话框](#)。

3. 单击  (基本设置)选项卡。
出现**设置(基本设置)**对话框。
4. 在**产品名称**中，选择产品名称后带有“网络”的项目，然后单击其右侧显示的**选择**。

出现[网络选择屏幕](#)。

5. 单击**从操作面板扫描设置**。

显示从操作面板扫描设置屏幕。

6. 从**扫描仪**中选择所用的扫描仪或打印机，并单击**好**。

7. 返回网络选择屏幕，然后单击**好**。


再次出现 IJ Scan Utility 主屏幕。可以从操作面板扫描。

►► 注释

- 如果所用的扫描仪或打印机的 Bonjour 服务名称未显示或无法选择，请检查以下内容，单击**好**以关闭屏幕，然后重新打开屏幕并尝试重新选择。
 - 已安装扫描仪驱动程序[ICA(图像捕捉结构)驱动程序]。
 - 安装扫描仪驱动程序后已完成扫描仪或打印机的网络设置
 - 已启用扫描仪或打印机和计算机间的网络通讯

如果问题仍未解决，请参见[网络通讯问题](#)。

从操作面板扫描

- ▶ 使用操作面板将扫描的数据转发到计算机  基础
- ▶ 从计算机将扫描的数据以电子邮件形式发送
- ▶ 使用操作面板设置扫描项目
- ▶ 使用 IJ Scan Utility 设置操作面板 (Windows)
- ▶ 使用 IJ Scan Utility 设置操作面板 (Mac OS)

使用操作面板将扫描的数据转发到计算机

将扫描的数据转发到计算机前，请检查以下内容：

- **已安装 MP Drivers。 (Windows)**

如果尚未安装 MP Drivers，请使用安装光盘或从 Canon 网站安装 MP Drivers。

- **已安装扫描仪驱动程序。 (Mac OS)**

如果尚未安装扫描仪驱动程序，请从 Canon 网站安装扫描仪驱动程序。

- **打印机已正确连接到计算机。**

确保打印机已正确连接到计算机。

打印机正在运行时，或计算机处于休眠或待机模式时，请勿插入或拔出 USB 电缆线。

如果通过网络连接执行扫描，请确保已指定全部所需的设置。

- 对于 Windows:

- [网络扫描设置](#)

- 对于 Mac OS:

- [网络扫描设置](#)

- **在 Canon IJ Scan Utility 中指定目标文件夹和文件名称。**

可以在 Canon IJ Scan Utility 中指定目标文件夹和文件名称。有关 Canon IJ Scan Utility 设置的更多信息，请参见：

- 对于 Windows:

- [设置对话框](#)

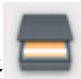
- 对于 Mac OS:

- [设置对话框](#)

对于 Mac OS X 10.11，需要启动 Canon IJ Scan Utility 以将已扫描的数据转发至计算机。

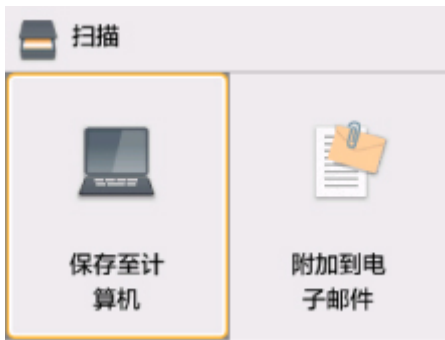
按以下步骤将已扫描数据转发到计算机。

1. [确保打印机已开启。](#)

2. 在主页屏幕上选择  **扫描。**

- [LCD 屏幕和操作面板](#)

显示用于选择保存数据介质的屏幕。



3. 选择  保存至计算机。

4. 选在要转发已扫描数据的计算机。

为 USB 连接的计算机选择**本地(USB)**，或为连接到网络的计算机选择转发已扫描数据的计算机。



显示扫描待机屏幕。

▶▶▶ 注释

- 使用 WSD(Windows 环境下支持的网络协议之一)将扫描的数据转发到计算机时，请在**设备设置**下 **LAN 设置**中通用设置的 **WSD 设置**中将从本设备进行 WSD 扫描选择为启用。

■ WSD 设置

- 如果选择**重新搜索**，则打印机开始重新搜索连接的计算机。
- 在 Canon IJ Scan Utility 中预先指定目标文件夹和文件名称。
 - 对于 Windows:
 - [设置对话框](#)
 - 对于 Mac OS:
 - [设置对话框](#)

5. 根据需要指定设置。



A. 选择文档类型。

注 释

- 使用 WSD 将扫描的数据转发到搜索到的计算机时，无法选择文档类型。

自动扫描

打印机自动检测原稿类型并将图像以优化的尺寸、分辨率和数据格式转发。

重 要 事 项

- 根据原稿类型正确放置原稿；否则，可能无法正确扫描某些原稿。
有关放置原稿的更多信息，请参见：
■ [放置原稿](#)
- 可以扫描以下各项：
照片、明信片、名片、杂志、报纸、文档和 BD/DVD/CD
- 无法正确扫描以下各项。
 - A4 尺寸的照片
 - 小于 127 毫米 x 178 毫米(5 英寸 x 7 英寸)的文档，如切去书脊的平装本
 - 薄白纸上的原稿
 - 长而窄的原稿，如全景照片

文档

应用在**扫描设置**中指定的设置将稿台玻璃上的原稿扫描为文档数据。

照片

应用在**扫描设置**中指定的设置将稿台玻璃上的原稿扫描为照片数据。

B. 显示**扫描设置**屏幕。

有关设置项目的更多信息，请参见：

■ [使用操作面板设置扫描项目](#)

C. 选择色彩模式。

注 释

- 使用 WSD 将扫描的数据转发到计算机时，选择**彩色扫描**。

D. 显示如何装入原稿。

E. 显示选择目标位置的屏幕。

6. [将原稿放置在稿台玻璃上。](#)

7. 按启动按钮。

- 如果在扫描设置屏幕上为**格式**选择了 **JPEG** 或 **TIFF**：
打印机开始扫描并将扫描的数据转发到计算机。
- 在扫描设置屏幕上为**格式**选择了 **PDF** 或**高压压缩 PDF** 时：
扫描完成后，会显示询问是否继续扫描的确认屏幕。



如果继续扫描，将原稿放置在稿台玻璃上并开始扫描。

如果不继续扫描，请选择**结束**。扫描的数据将转发到计算机。

根据在 Canon IJ Scan Utility 中指定的设置，扫描的数据转发到计算机。

扫描完成后取出稿台玻璃上的原稿。

▶▶▶ 重要事项

- 如果对**自动扫描**的扫描结果不满意，请在步骤 5 中根据原稿选择文档类型或尺寸。

如果出现程序选择屏幕(Windows):

按**启动**按钮后可能会显示程序选择屏幕。在这种情况下，选择 **Canon IJ Scan Utility** 并单击**确定**。

如果要以高级设置来扫描原稿，或是要对扫描的图像进行编辑或打印:

如果使用 My Image Garden 从计算机扫描原稿，可使用 My Image Garden 编辑扫描的图像，例如优化或剪裁。

此外，还可以使用兼容的应用程序软件来编辑或打印扫描的图像，从而实现最佳利用。

- 对于 Windows：
 - 扫描照片和文档
- 对于 Mac OS：
 - 扫描照片和文档

▶▶▶ 注释

- 对于 Windows：
 - 可以使用 WIA 兼容的应用软件来使用打印机扫描原稿。
- 有关详细资料：

■ 其他扫描方法

- 如果要将扫描的文档转换为文本：

■ 从扫描的图像中提取文本(OCR)

使用操作面板设置扫描项目

可以更改扫描设置，如扫描尺寸、分辨率或数据格式。

显示扫描待机屏幕时，选择**设置**以选择设置项目。使用▲▼按钮选择设置项目，然后按 **OK** 按钮以显示设置。使用▲▼按钮指定设置，然后按 **OK** 按钮以确认选择。

▶▶▶ 注释

- 在以下情况下无法指定扫描设置：
 - 将**文档类型**选择为**自动扫描**以将扫描的数据转发到计算机时
 - 使用 WSD(Windows 环境下支持的网络协议之一)将已扫描的数据转发至计算机时
- 某些设置无法和其他设置项目的设置、**文档类型**中选择的文档类型或选择数据保存位置屏幕的扫描菜单一起指定。如果选择了不能组合指定的设置，LCD 屏幕上会显示 **!** 和**错误详细信息**。在这种情况下，选择 LCD 屏幕上方的 **!** 检查信息，然后更改设置。
- 即使关闭打印机，指定的扫描设置(如扫描尺寸、分辨率和数据格式)仍会保留。
- 开始扫描时，如果扫描菜单中的指定设置不可用，LCD 屏幕上会显示“**指定功能在当前设置下不可用。**”。请按照屏幕上的说明更改设置。
- 将扫描的数据转发到计算机或将数据附加到电子邮件时，可以使用 Canon IJ Scan Utility 指定目标和文件名称。
 - 对于 Windows：
 - [设置对话框](#)
 - 对于 Mac OS：
 - [设置对话框](#)
- 如果是扫描计算机中的原稿，可以使用高级设置进行扫描。有关从计算机扫描的更多信息，请参见：
 - 对于 Windows：
 - [扫描照片和文档](#)
 - 对于 Mac OS：
 - [扫描照片和文档](#)



1. 扫描尺寸

选择原稿尺寸。

2. 格式

选择扫描数据的数据格式。

3. 分辨率 (扫描分辨率)

选择扫描的分辨率。

4. 减少透视阴影 (减少透视阴影)

扫描薄文档(如报纸)时可能会出现扫描件映出纸张背面的字符的现象。如果扫描的文档上似乎出现字符映出现象,请选择**开**。

文档类型选择为**照片**时,此设置项目不可用。

5. 去网纹

打印输出由构成字符或图形的微小的点组成。如果各个点的正常排列被扰乱,则可能导致出现不均匀的明暗度或带条纹的图案。如果在扫描图像上发现任何不均匀的明暗度或带条纹的图案,选择**开**。

文档类型选择为**照片**时,此设置项目不可用。

注 释

- 即使此设置已选择为**开**,如果将**虚像屏蔽**设置为**开**,仍可能存在部分波纹效果。在这种情况下,请为**虚像屏蔽**选择**关**。

6. 虚像屏蔽

可以加重小字符或细小对象(如照片上的毛发或树叶)的轮廓。如果要加重扫描数据的轮廓,请选择**开**。

常见问题



网络

- [无法在网络上找到打印机](#)
- [使用无线 LAN 时无法找到打印机](#)
- [网络密钥未知](#)

有关网络的其他问题，[请单击此处](#)。



打印

- [打印不开始](#)
- [纸张空白/打印模糊不清/颜色错误/出现白色条纹](#)
- [打印结果不理想](#)
- [卡纸](#)



安装

- [无法安装 MP Drivers](#)



错误

- [发生错误](#)
- [出现信息](#)

问题示例

打印机不运转

- [电源未开启](#)
- [电源自动关闭](#)
- LCD 屏幕关闭
- LCD 屏幕显示的语言错误
- [USB 连接问题](#)
- [无法通过 USB 与打印机通讯](#)

- [打印不开始](#)
- 复印/打印中止
- 无法使用 AirPrint 打印
- 打印速度慢
- [没有墨水喷出](#)
- [卡纸](#)
- [纸张没有正确送入/“无纸”错误](#)
- [打印结果不理想](#)

- 扫描的问题(Windows)
- [扫描的问题\(Mac OS\)](#)
- 扫描结果不理想(Windows)

- [扫描结果不理想\(Mac OS\)](#)
-

- [无法从智能手机/平板电脑进行打印/扫描](#)

无法正确设置(网络)

- [无法在检查打印机设置屏幕上找到打印机](#)
 - [使用无线 LAN 时无法找到打印机](#)
-

- [打印机突然无法使用](#)
 - [网络密钥未知](#)
 - [为打印机设置的管理员密码未知](#)
 - [更换无线路由器或更改其设置后无法使用打印机](#)
-

- [设置过程中计算机上出现信息](#)
- [检查网络信息](#)
- [恢复至出厂默认值](#)

无法正确设置(安装)

- [无法安装 MP Drivers](#)
- [Easy-WebPrint EX 未启动或未显示 Easy-WebPrint EX 菜单\(Windows\)](#)
- [在网络环境中更新打印机驱动程序\(Windows\)](#)

出现错误或信息

- [发生错误](#)
 - [出现信息](#)
-

- [与错误对应的支持代码列表](#)
- [兼容 PictBridge\(无线 LAN\)的设备出现错误信息](#)
- [IJ Scan Utility 错误信息\(Windows\)](#)
- [ScanGear\(扫描仪驱动程序\)错误信息](#)
- [IJ Scan Utility 错误信息\(Mac OS\)](#)
- [扫描仪驱动程序\(ICA 驱动程序\)错误信息\(Mac OS\)](#)

操作的问题

- [网络通讯问题](#)
- [打印问题](#)
- [从智能手机/平板电脑进行打印/扫描的问题](#)
- [扫描的问题\(Windows\)](#)
- [扫描的问题\(Mac OS\)](#)
- [机械问题](#)
- [安装和下载问题](#)
- [错误和信息](#)
- [如果无法解决问题](#)

网络设置和常见问题

以下是有关网络的常见问题。选择正在使用或要使用的连接方法。



无线 LAN

无法找到打印机

- [使用无线 LAN 时无法找到打印机](#)
- [无法在检查打印机设置屏幕上找到打印机](#)
- [在打印机连接屏幕/连接电缆线屏幕无法继续操作](#)
- 设置过程中在打印机检测屏幕上搜索后无法找到打印机
- 在设置过程中按 IP 地址或主机名称搜索打印机
- 设置无线 LAN 时出现错误
- [找到其他具有相同名称的打印机](#)
- [更改无线 LAN 连接方法](#)

无法打印或连接

- [打印机突然无法使用](#)
- [更换无线路由器或更改其设置后无法使用打印机](#)
- 无法通过无线 LAN 从通讯设备访问互联网
- 使用简易无线连接连接打印机和无线路由器
- 无法将智能手机/平板电脑连接到无线路由器
- 设置无线 LAN 时出现错误
- [通过 LAN 连接到其他计算机/从 USB 更改为 LAN 连接](#)

LAN 设置提示/更改 LAN 设置

- [网络密钥未知](#)
- 为打印机设置的管理员密码未知
- [检查网络信息](#)
- [恢复至出厂默认值](#)
- 检查无线路由器 SSID/密钥
- 检查用于智能手机/平板电脑的无线路由器 SSID
- 私密隔离功能/SSID 隔离功能/网络隔离功能
- [默认网络设置](#)
- [通过 LAN 连接到其他计算机/从 USB 更改为 LAN 连接](#)
- [打印网络设置](#)
- [更改无线 LAN 连接方法](#)

从智能手机/平板电脑打印/扫描

- 使用简易无线连接连接打印机和无线路由器
- 无法将智能手机/平板电脑连接到无线路由器
- 检查用于智能手机/平板电脑的无线路由器 SSID

- 使用智能手机/平板电脑进行设置
- 无法从智能手机/平板电脑进行打印/扫描
- 下载 Canon PRINT Inkjet/SELPHY

使用打印机时出现的的问题

- 设置过程中计算机上出现信息
- 打印速度慢
- 打印机状态监视器上未显示墨水量(Windows)
- 不断发送数据包(Windows)

无线直连

无法打印或连接

- [打印机突然无法使用](#)
- 无法通过无线 LAN 从通讯设备访问互联网

LAN 设置提示/更改 LAN 设置

- [网络密钥未知](#)
- 为打印机设置的管理员密码未知
- [检查网络信息](#)
- [恢复至出厂默认值](#)
- [打印网络设置](#)
- [默认网络设置](#)
- [更改无线 LAN 连接方法](#)

从智能手机/平板电脑打印/扫描

- 无法从智能手机/平板电脑进行打印/扫描
- 下载 Canon PRINT Inkjet/SELPHY

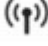
使用打印机时出现的的问题

- 设置过程中计算机上出现信息
- 打印速度慢
- 打印机状态监视器上未显示墨水量(Windows)

将打印机连接到网络

可用的连接方法

打印机可提供以下连接方法。

- 无线连接 
使用无线路由器连接打印机和计算机/智能手机/平板电脑。
如果已有无线路由器，建议将其用于无线连接。



- 无线直连
不使用无线路由器连接打印机和计算机/智能手机/平板电脑。



有关连接方法的更多信息，请参见可用的连接方法。

►► 注释

- 可以使用 USB 电缆线(USB 连接)连接打印机和计算机。准备 USB 电缆线。有关详细资料，请参见[通过 LAN 连接到其他计算机/从 USB 更改为 LAN 连接](#)。

网络连接设置

对打印机和计算机/智能手机/平板电脑执行连接设置。

有关设置步骤的更多信息，请单击此处。

更改网络设置

有关更改打印机和计算机/智能手机/平板电脑的连接设置，请参见以下内容。

- 要更改网络连接方法：
 - [更改无线 LAN 连接方法](#)
 - 更改连接模式
- 要将计算机/智能手机/平板电脑添加至打印机：
 - [通过 LAN 连接到其他计算机/从 USB 更改为 LAN 连接](#)
- 要暂时使用无线直连：
 - [通过无线直连使用打印机](#)

网络应用程序软件(Windows)

对于 Windows，可以使用 IJ Network Device Setup Utility 执行网络设置。将允许网络/打印机管理员在网络上管理打印机。

- [网络设置\(IJ Network Device Setup Utility\) \(Windows\)](#)

故障排除

有关网络连接故障排除，请参见[网络设置和常见问题](#)。

通知/限制

有关详细信息，请参见以下内容。

- 有关网络设置的限制：

- [限制](#)

- 使用 Web 服务打印时的通知：

- [Web 服务打印的注意事项](#)

限制

在一个设备(如智能手机)已连接打印机的情况下, 如果再连接另一设备到打印机, 请使用与已连接设备相同的连接方法。

如果使用不同的连接方法进行连接, 将禁用与正在使用的设备之间的连接。

通过无线路由器连接

- 确保设备已与无线路由器连接。有关检查这些设置的详细资料, 请参见无线路由器附带的手册或联系其制造商。
对于未使用无线路由器连接到打印机的设备, 通过无线路由器重新连接该设备。
- 根据系统环境的不同, 网络设备的配置、路由器功能、安装步骤以及安全设置会有所不同。有关详细资料, 请参见网络设备手册或联系其制造商。
- 此打印机不支持 IEEE802.11ac、IEEE802.11a 或 IEEE802.11n(5 GHz)。检查设备是否支持 IEEE802.11n(2.4GHz)、IEEE802.11g 或 IEEE802.11b。
- 如果设备设置为“仅 IEEE802.11n”模式, 则 WEP 或 TKIP 无法用作安全协议。将设备的安全协议更改为 WEP 和 TKIP 以外的协议或将设置更改为“仅 IEEE802.11n”以外的设置。
更改设置时, 设备和无线路由器之间的连接将暂时禁用。设置未完成时, 请勿继续操作本指南的下一屏幕。
- 如在办公室环境下使用, 请咨询网络管理员。
- 请注意, 如果连接到一个没有安全保护的网路, 个人信息可能会泄露给第三方。

无线直连

重要事项

- 设备通过无线路由器连接到互联网时, 如果将其连接到处于无线直连模式的打印机, 设备和无线路由器之间的现有连接将被禁用。在这种情况下, 根据设备的不同, 设备连接可能会自动切换至移动数据连接。当使用移动数据连接连接到互联网时, 根据合同, 可能会产生费用。
 - 使用无线直连来连接设备和打印机时, 连接信息将保存到 Wi-Fi 设置。即使断开设备连接或将其连接到其他无线路由器后, 设备可能也会自动连接到打印机。
 - 为防止自动连接到处于无线直连模式的打印机, 请在使用打印机后更改连接模式, 或在设备的 Wi-Fi 设置中设置为不进行自动连接。
有关检查或更改无线路由器设置的详细资料, 请参见路由器手册或联系其制造商。
- 如果使用无线直连来连接设备和打印机, 根据所用环境, 互联网连接可能不可用。在这种情况下, 用于打印机的 Web 服务无法使用。
- 在无线直连模式下, 最多可以同时连接五台设备。如果在已连接五台设备时尝试连接第六台设备, 将出现错误。
如果出现错误, 断开不使用打印机的设备, 然后重新配置设置。
- 使用无线直连连接到打印机的设备无法彼此进行通讯。
- 使用无线直连时, 将不能对打印机进行固件更新。
- 未使用无线路由器将设备连接到打印机且要使用相同的连接方法重新进行设置时, 请先断开连接。在 Wi-Fi 设置屏幕上禁用设备和打印机之间的连接。

网络通讯问题

- ▶ 无法在网络上找到打印机
- ▶ 网络连接问题
- ▶ 其他网络问题

无法在网络上找到打印机

执行打印机设置时：

- ▶ 设置时无法在检查打印机设置屏幕上找到打印机(Windows)
- ▶ 在打印机连接屏幕/连接电缆线屏幕无法继续操作

使用打印机时：

- ▶ 使用无线 LAN 时无法找到打印机

设置时无法在检查打印机设置屏幕上找到打印机(Windows)

如果找不到打印机，并且在**搜索打印机**屏幕上通过**自动搜索**来搜索打印机后出现**检查打印机设置**屏幕，请单击**重新检测**，然后在**搜索打印机**屏幕上按 IP 地址重新搜索打印机。

如果在按 IP 地址搜索后仍未找到打印机，请检查网络设置。



- [进行无线 LAN 设置时无法在检查打印机设置屏幕上找到打印机\(Windows\)-检查电源状态](#)
- [进行无线 LAN 设置时无法在检查打印机设置屏幕上找到打印机\(Windows\)-检查计算机网络连接](#)
- [进行无线 LAN 设置时无法在检查打印机设置屏幕上找到打印机\(Windows\)-检查打印机的无线 LAN 设置](#)
- [进行无线 LAN 设置时无法在检查打印机设置屏幕上找到打印机\(Windows\)-检查无线 LAN 环境](#)
- [进行无线 LAN 设置时无法在检查打印机设置屏幕上找到打印机\(Windows\)-检查打印机的 IP 地址](#)
- [进行无线 LAN 设置时无法在检查打印机设置屏幕上找到打印机\(Windows\)-检查安全软件设置](#)
- [进行无线 LAN 设置时无法在检查打印机设置屏幕上找到打印机\(Windows\)-检查无线路由器设置](#)



进行无线 LAN 设置时无法在检查打印机设置屏幕上找到打印机 (Windows)-检查电源状态



是否已开启打印机和网络设备(路由器等)?

确保打印机已开启。

■ [确认电源已开启](#)

确保网络设备(路由器等)已开启。

如果打印机或网络设备已关闭:

开启打印机或网络设备。

打印机和网络设备开启后,可能需要一些时间才能准备就绪。开启打印机或网络设备后等待一段时间,然后单击**检查打印机设置**屏幕上的**重新检测**以重新检测打印机。

找到打印机时,请按照屏幕上的说明操作继续设置网络通讯。

如果打印机和网络设备已开启:

如果网络设备已开启,请将其关闭,然后重新开启。

如果上述操作未能解决问题:

■ [进行无线 LAN 设置时无法在检查打印机设置屏幕上找到打印机\(Windows\)-检查计算机网络连接](#)



进行无线 LAN 设置时无法在检查打印机设置屏幕上找到打印机 (Windows)-检查计算机网络连接



是否可以在计算机上查看任何网页？

确保计算机和网络设备(路由器等)已配置以及计算机已连接到网络。

如果无法查看网页：

单击**检查打印机设置**屏幕上的**取消**以取消设置网络通讯。

此后，配置计算机和网络设备。

有关步骤，请参阅计算机和网络设备附带的说明手册，或联系其制造商。

如果在配置计算机和网络设备之后可以查看网页，尝试从开头设置网络通讯。

如果上述操作未能解决问题：

- [进行无线 LAN 设置时无法在检查打印机设置屏幕上找到打印机\(Windows\)-检查无线 LAN 环境](#)



进行无线 LAN 设置时无法在检查打印机设置屏幕上找到打印机 (Windows)-检查打印机的无线 LAN 设置



打印机是否设置为允许无线通讯？

确保 LCD 屏幕上显示  或  图标。



如果未显示图标：

打印机未设置为允许无线通讯。单击**检查打印机设置**屏幕上的**无线 LAN 设置信息**以检查状态，然后开启打印机上的无线通讯。

如果显示图标：

- [进行无线 LAN 设置时无法在检查打印机设置屏幕上找到打印机\(Windows\)-检查无线 LAN 环境](#)



进行无线 LAN 设置时无法在检查打印机设置屏幕上找到打印机 (Windows)-检查无线 LAN 环境



打印机是否已连接到无线路由器？

使用 LCD 屏幕上的图标确保打印机已连接到无线路由器。



如果显示 图标：

- 检查无线路由器位置

检查无线路由器设置后，确保未将打印机放置于距离无线路由器过远的位置。

打印机最远可距离室内无线路由器 50 米(164 英尺)。确保打印机离要使用的无线路由器足够近。

无线路由器与打印机的放置位置之间应没有障碍物。在不同房间或楼层的无线通讯通常不佳。含金属或混凝土的建筑材料可能会阻碍无线通讯。如果由于墙壁而使打印机无法通过无线 LAN 与计算机通讯，请将打印机和计算机放置在同一房间。

此外，如果附近有发出与无线路由器相同频率频宽的无线电波的设备(如微波炉)，则可能会造成干扰。将无线路由器放置于尽量远离干扰源的地方。

注 释

- 虽然多数无线路由器附带天线，还请注意部分无线路由器的天线装在机身内部。

- 检查无线路由器设置

应使用 2.4GHz 频宽连接打印机和无线路由器。确保打印机的连接目标的无线路由器配置为 2.4GHz 频宽。

重要事项

- 请注意，部分无线路由器会根据带宽(2.4GHz 或 5GHz)或用途(计算机或游戏机)，在 SSID 末尾使用字母数字字符指派不同的 SSID。

检查 LCD 屏幕上打印机的无线路由器 SSID。

选择左下角的图标，选择**是**，然后检查 **SSID**。

有关无线路由器的更多信息，请参阅无线路由器附带的说明手册或联系其制造商。

采取上述措施后，单击**检查打印机设置**屏幕上的**重新检测**以重新检测打印机。

找到打印机时，请按照屏幕上的说明操作继续设置网络通讯。

如果无法检测到打印机，则打印机未连接到无线路由器。将打印机连接到无线路由器。

将打印机连接到无线路由器后，重新设置网络通讯。

如果显示  图标：

- [进行无线 LAN 设置时无法在检查打印机设置屏幕上找到打印机\(Windows\)-检查打印机的 IP 地址](#)



进行无线 LAN 设置时无法在检查打印机设置屏幕上找到打印机 (Windows)-检查打印机的 IP 地址



是否正确指定打印机的 IP 地址？

如果未正确指定打印机的 IP 地址，可能无法找到打印机。确保打印机的 IP 地址未用于其他设备。

要检查打印机的 IP 地址，请打印出网络设置信息或使用操作面板显示。

- LCD 屏幕显示。

- [LAN 设置](#)

- 打印网络设置。

- [打印网络设置](#)

如果未正确指定 IP 地址：

请参见如果出现错误屏幕：并指定 IP 地址。

如果已正确指定 IP 地址：

- [进行无线 LAN 设置时无法在检查打印机设置屏幕上找到打印机\(Windows\)-检查安全软件设置](#)



进行无线 LAN 设置时无法在检查打印机设置屏幕上找到打印机 (Windows)-检查安全软件设置



暂时禁用防火墙功能中的限制。

计算机的安全软件或操作系统的防火墙可能限制打印机和计算机之间的通讯。检查安全软件或操作系统的防火墙设置或计算机上显示的信息并暂时禁用限制。

如果防火墙干扰设置：

- 如果出现信息：

如果出现 Canon 软件正在尝试访问网络的警告信息，将安全软件设置为允许访问。

允许软件访问后，单击**检查打印机设置**屏幕上的**重新检测**以重新检测打印机。

找到打印机时，请按照屏幕上的说明操作继续设置网络通讯。

- 如果未出现信息：

取消设置，然后将安全软件设置为允许 Canon 软件访问网络。

安装光盘中 **win > Driver > DrvSetup** 文件夹下的 **Setup.exe** 或 **Setup64.exe** 文件

设置完安全软件后，从开始重新执行网络通讯设置。

设置完成后，启用防火墙。

▶▶▶ 注释

- 有关操作系统或安全软件的防火墙设置的更多信息，请参见说明手册或联系其制造商。

如果上述操作未能解决问题：

- [进行无线 LAN 设置时无法在检查打印机设置屏幕上找到打印机\(Windows\)-检查无线路由器设置](#)



进行无线 LAN 设置时无法在检查打印机设置屏幕上找到打印机 (Windows)-检查无线路由器设置



检查无线路由器设置。

检查无线路由器的网络连接设置，如 IP 地址筛选、MAC 地址筛选、加密密钥和 DHCP 功能。

确保指派给无线路由器与指派给打印机的无线电通道相同。

要检查无线路由器的设置，请参见无线路由器附带的说明手册或联系其制造商。

检查无线路由器的设置后，单击**检查打印机设置**屏幕上的**重新检测**以重新检测打印机。

找到打印机时，请按照屏幕上的说明操作继续设置网络通讯。



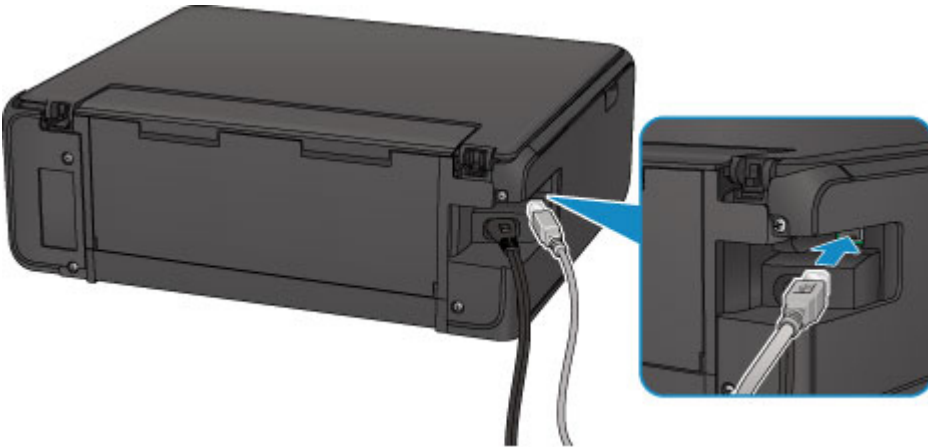
在打印机连接屏幕/连接电缆线屏幕无法继续操作



如果在打印机连接屏幕或连接电缆线屏幕无法继续操作，请检查以下内容。

检查 1 确保 USB 电缆线已稳固地插入打印机和计算机中。

如下图所示，使用 USB 电缆线连接打印机和计算机。USB 端口位于打印机后部。




请仅在打印机连接屏幕无法继续操作时检查以下各项。

检查 2 请按照以下步骤再次连接打印机和计算机。

重要事项

- 对于 Mac OS，确保锁定图标位于打印机和扫描仪屏幕(Mac OS X v10.8 中的打印与扫描屏幕)的左下方。

如果显示  图标(锁定)，单击该图标可解锁。(需要管理员名称和密码才能解锁。)

1. 关闭打印机。
2. 从打印机和计算机拔出 USB 电缆线，然后再次连接。
3. 开启打印机。

检查 3 如果无法解决问题，请按照以下步骤重新安装 MP Drivers。

- 对于 Windows：
 1. 单击取消。
 - 如果出现安装失败屏幕：
 1. 单击返回开始。
 2. 单击开始设置屏幕上的退出并完成设置。
 - 如果出现连接失败。屏幕：
 1. 单击下一步。

2. 在显示的屏幕上单击**下一步**。
 3. 在**选择打印机**屏幕上单击**返回初始界面**。
 4. 单击**开始设置**屏幕上的**退出**并完成设置。
3. 关闭打印机。
 4. 重新启动计算机。
 5. 确保没有应用程序软件正在运行。
 6. 按照 Canon 网站上的说明恢复设置。

▶▶▶ 注释

- 可以使用安装光盘恢复设置。

• 对于 Mac OS:

1. 单击**下一步**。
 - 如果出现**安装失败**屏幕，请单击显示屏幕上的**退出**并完成设置。
 - 如果出现**连接失败**。屏幕：
 1. 单击**下一步**。
 2. 在显示的屏幕上单击**下一步**。
 3. 在**选择打印机**屏幕上单击**返回初始界面**。
 4. 单击**开始设置**屏幕上的**退出**并完成设置。
3. 关闭打印机。
4. 重新启动计算机。
5. 确保没有应用程序软件正在运行。
6. 按照 Canon 网站上的说明恢复设置。



使用无线 LAN 时无法找到打印机

注释

- 本节描述如何在使用计算机时进行故障排除。
有关在使用智能手机或平板电脑时进行故障排除的信息：
 - 无法从智能手机/平板电脑进行打印/扫描



检查 1 确保打印机已开启。



检查 2 图标是否在 LCD 屏幕上显示？

如果未显示该图标，请在 **LAN 设置** 下 **无线 LAN** 中 **启用/停用无线 LAN** 上选择 **启用**。

检查 3 确保打印机设置已完成。

如果未完成，请执行设置。

- 对于 Windows：
使用安装光盘或按照 Canon 网站上的说明进行操作。
- 对于 Mac OS：
按照 Canon 网站上的说明进行操作。

检查 4 如果可以使用 IJ Network Device Setup Utility，请重新查找打印机。(Windows)

■ IJ Network Device Setup Utility 屏幕

检查 5 确保打印机与无线路由器网络设置相符。

确保打印机的网络设置(例如，无线路由器名称、SSID、网络密钥等)与无线路由器的网络设置相同。

要检查无线路由器的设置，请参阅无线路由器附带的说明手册或联系其制造商。

要检查打印机的当前网络设置，请打印出网络设置信息。

■ [打印网络设置](#)

检查 6 确保未将打印机放置于距离无线路由器过远的位置。

无线路由器与打印机的放置位置之间应没有障碍物。在不同房间或楼层的无线通讯通常不佳。含金属或混凝土的建筑材料可能会阻碍无线通讯。如果由于墙壁而使打印机无法通过无线 LAN 与计算机通讯，请将打印机和计算机放置在同一房间。

此外，如果附近有发出与无线路由器相同频率频宽的无线电波的设备(如微波炉)，则可能会造成干扰。将无线路由器放置于尽量远离干扰源的地方。

»» 注释

- 虽然多数无线路由器附带天线，还请注意部分无线路由器的天线装在机身内部。

检查 7 确保有较强的无线信号。监视信号状态，并根据需要移动打印机和无线路由器。

要检查信号强度：

- 检查无线网络状态

检查 8 确保计算机已连接到无线路由器。

有关如何检查计算机设置或连接状态的详细资料，请参见计算机说明手册或与其制造商联系。

»» 注释

- 如果使用智能手机/平板电脑，请确保启用其 Wi-Fi 设置。

检查 9 请确保在打印机驱动程序属性对话框的端口选项卡中选择了启用双向支持。
(Windows)

检查 10 确保安全软件的防火墙已关闭。

如果开启了安全软件的防火墙，则可能显示 Canon 软件正在尝试访问网络的警告信息。如果出现警告信息，请将安全性软件设置为永远允许访问。

如果正在使用任何切换网络环境的程序，请检查其设置。某些程序默认使用防火墙。

检查 11 如果通过 LAN 将打印机连接到 AirPort 基站，请为网络标识符(SSID)使用字母数字字符。(Mac OS)

如果问题未解决，请恢复设置。

- 对于 Windows：
使用安装光盘或按照 Canon 网站上的说明进行操作。
- 对于 Mac OS：
按照 Canon 网站上的说明进行操作。

网络连接问题

- ▶ 打印机突然无法使用
- ▶ 网络密钥未知
- ▶ 更换无线路由器或更改其设置后无法使用打印机

打印机突然无法使用

- [网络设置更改后无法与打印机通讯](#)
- [无法通过无线 LAN 与打印机通讯](#)
- [无法使用无线直连与打印机通讯](#)
- [无法从连接到网络的计算机打印或扫描](#)

网络设置更改后无法与打印机通讯

计算机获取 IP 地址可能会花费一些时间，或需要重新启动计算机。

确保计算机获得有效的 IP 地址，然后再次尝试查找打印机。

无法通过无线 LAN 与打印机通讯

检查 1 检查打印机、网络设备(如无线路由器)和智能手机/平板电脑的电源状态。

开启打印机或设备。

如果电源已开启，请将其关闭，然后重新开启。

可能需要解决无线路由器问题(如密钥的更新间隔、DHCP 更新间隔问题、节能模式等)或更新无线路由器固件。


有关详细资料，请联系无线路由器的制造商。

检查 2 是否可以在计算机上查看任何网页？

确保计算机已正确连接到无线路由器。

有关检查计算机设置或连接状态的更多内容，请参见无线路由器附带的说明手册或联系制造商。

检查 3 打印机是否已连接到无线路由器？

通过 LCD 屏幕上的图标检查打印机和无线路由器的连接状态。如果未显示 ，则无线 LAN 已禁用，请启用无线 LAN。

检查 4 确保打印机与无线路由器网络设置相符。

确保打印机的网络设置(例如，无线路由器名称、SSID、网络密钥等)与无线路由器的网络设置相同。

要检查无线路由器的设置，请参阅无线路由器附带的说明手册或联系其制造商。

要检查打印机的当前网络设置，请打印出网络设置信息。

■ [打印网络设置](#)

如果打印机的网络设置与无线路由器的网络设置不符，请更改打印机的网络设置，使其与无线路由器的网络设置相符。

■ 网络设置(IJ Network Device Setup Utility) (Windows)

检查 5 确保未将打印机放置于距离无线路由器过远的位置。

无线路由器与打印机的放置位置之间应没有障碍物。在不同房间或楼层的无线通讯通常不佳。含金属或混凝土的建筑材料可能会阻碍无线通讯。如果由于墙壁而使打印机无法通过无线 LAN 与计算机通讯，请将打印机和计算机放在同一房间。

此外，如果附近有发出与无线路由器相同频率频宽的无线电波的设备(如微波炉)，则可能会造成干扰。将无线路由器放置于尽量远离干扰源的地方。

►► 注释

- 虽然多数无线路由器附带天线，还请注意部分无线路由器的天线装在机身内部。

检查 6 确保有较强的无线信号。监视信号状态，并根据需要移动打印机和无线路由器。(Windows)

■ 检查无线网络状态

检查 7 确保正在使用有效的通道。

根据计算机所使用的无线网络设备，可用的无线通道可能会受限制。请参见计算机或无线网络设备随附的说明手册以查看可用的无线通道。

检查 8 确保无线路由器上设置的通道是检查 7 中确认的可用通道。

否则，请更改无线路由器上的通道设置。

检查 9 确保安全软件的防火墙已关闭。

如果开启了安全软件的防火墙，则可能显示 Canon 软件正在尝试访问网络的警告信息。如果出现警告信息，请将安全性软件设置为永远允许访问。

如果正在使用任何切换网络环境的程序，请检查其设置。某些程序默认使用防火墙。

检查 10 如果通过 LAN 将打印机连接到 AirPort 基站，请为网络标识符(SSID)使用字母数字字符。(Mac OS)

如果问题未解决，请恢复设置。

- 对于 Windows：
使用安装光盘或按照 Canon 网站上的说明进行操作。
- 对于 Mac OS：
按照 Canon 网站上的说明进行操作。
- 定位：
确保在无线路由器与打印机之间没有障碍物。

无法使用无线直连与打印机通讯

检查 1 检查打印机和其他设备(智能手机或平板电脑)的电源状态。

开启打印机或设备。

如果电源已开启,请将其关闭,然后重新开启。

检查 2 图标是否在 LCD 屏幕上显示?

如果图标未显示,则无线直连已禁用,请启用无线直连。

检查 3 检查设备(智能手机/平板电脑)的设置。

确保设备上已启用无线 LAN。

有关详细资料,请参阅设备的说明手册。

检查 4 确保将打印机选择为设备(例如智能手机或平板电脑)的连接目标。

选择为打印机指定的无线直连标识符(SSID)作为设备的连接目标。

检查设备上的目标位置。

有关详细资料,请参阅设备说明手册或访问制造商网站。

要检查为打印机指定的无线直连标识符(SSID),可使用打印机的操作面板将其显示或打印出打印机的网络设置信息。

- LCD 屏幕显示。

■ [LAN 设置](#)

- 打印网络设置。

■ [打印网络设置](#)

检查 5 是否已输入为无线直连指定的正确密码?

要检查为打印机指定的密码,可使用打印机的操作面板显示密码或打印出打印机的网络设置信息。

- LCD 屏幕显示。

■ [LAN 设置](#)

- 打印网络设置。

■ [打印网络设置](#)

检查 6 确保未将打印机放置于距离设备过远的位置。

设备与打印机的放置位置之间应没有障碍物。在不同房间或楼层的无线通讯通常不佳。含金属或混凝土的建筑材料可能会阻碍无线通讯。如果由于墙壁而使打印机无法通过无线 LAN 与计算机通讯,请将打印机和计算机放置在同一房间。

此外，如果附近有发出与无线路由器相同频率频宽的无线电波的设备(如微波炉)，则可能会造成干扰。将无线路由器放置于尽量远离干扰源的地方。

将设备放置在与打印机距离适当的位置。

检查 7 确保已连接 5 台设备。

无线直连不允许连接超过 5 台设备。

无法从连接到网络的计算机打印或扫描

检查 1 确保计算机已连接到无线路由器。

有关如何检查计算机设置或连接状态的详细资料，请参见计算机说明手册或与其制造商联系。

检查 2 如果 MP Drivers 尚未安装，请进行安装。

- 对于 Windows：
使用安装光盘或从 Canon 网站安装 MP Drivers。
- 对于 Mac OS：
从 Canon 网站安装 MP Drivers。

检查 3 确保无线路由器未限制计算机访问。

有关连接和设置无线路由器的更多信息，请参见无线路由器说明手册或联系其制造商。

注释

- 要检查计算机的 MAC 地址或 IP 地址，请参见[检查计算机 IP 地址或 MAC 地址](#)。

网络密钥未知

- [为无线路由器设置的 WPA/WPA2 或 WEP 密钥未知，无法连接](#)
- [设置加密密钥](#)

为无线路由器设置的 WPA/WPA2 或 WEP 密钥未知，无法连接

A

有关设置无线路由器的更多信息，请参见无线路由器附带的说明手册或联系其制造商。确保计算机可以与无线路由器进行通讯。

注释

- 对于 Windows，使用 IJ Network Device Setup Utility 设置打印机，使其与无线路由器的设置相符。

设置加密密钥

A

有关设置无线路由器的更多信息，请参见无线路由器附带的说明手册或联系其制造商。确保计算机可以与无线路由器进行通讯。

注释

- 对于 Windows，使用 IJ Network Device Setup Utility 设置打印机，使其与无线路由器的设置相符。

为安全起见，建议选择 WPA、WPA2 或 WPA/WPA2。如果无线路由器与 WPA/WPA2 兼容，也可以使用 WPA2 或 WPA。

• 使用 WPA/WPA2

无线路由器、打印机以及计算机上的认证方法、密码和动态加密类型都必须一致。

输入在无线路由器上配置的密码(由 8 至 63 个字母数字字符组成的序列，或 64 个字符的十六进制数字)。

自动选择 TKIP(基本加密)或 AES(安全加密)作为动态加密方法。

有关详细资料，请参见如果出现 WPA/WPA2 详细信息屏幕。

注释

- 打印机支持 WPA/WPA2-PSK(WPA/WPA2-个人)和 WPA2-PSK(WPA2-个人)。

• 使用 WEP

无线路由器、打印机以及计算机的密钥长度、密钥格式、要使用的密钥(密钥 1 到 4 中的一个)和认证方法都必须一致。

要与使用自动产生的 WEP 密钥的无线路由器通讯，必须将打印机设置为使用无线路由器产生的密钥并以十六进制格式输入。

- 对于 Windows:

在 IJ Network Device Setup Utility 中的**网络设置(无线 LAN)**屏幕上单击**搜索...**后，出现 **WEP 详细信息**屏幕时，请按照屏幕上的说明设置 WEP 密钥长度、格式和号码。

有关详细资料，请参见如果出现 WEP 详细信息屏幕。

►► 注释

- 如果通过 LAN 将打印机连接到 AirPort 基站：

如果通过 LAN 将打印机连接到 AirPort 基站，请检查 **AirPort 实用工具**的**无线安全性**中的设置。

- 如果在 AirPort 基站中选择了 **WEP 40 bit** 作为密钥长度，则选择 **64 位**。
- 将**密钥 ID** 选择为 **1**。否则，计算机将无法通过无线路由器与打印机通讯。



更换无线路由器或更改其设置后无法使用打印机



更换无线路由器时，请重新执行打印机的网络设置。

- 对于 Windows：
使用安装光盘或按照 Canon 网站上的说明进行操作。
- 对于 Mac OS：
按照 Canon 网站上的说明进行操作。

如果此操作未能解决问题，请参见以下内容。

- [在无线路由器上启用 MAC/IP 地址筛选或加密密钥后无法与打印机通讯](#)
- [启用加密时，在无线路由器上更改加密类型后无法与打印机通讯](#)



在无线路由器上启用 MAC/IP 地址筛选或加密密钥后无法与打印机通讯



检查 1 检查无线路由器设置。

要检查无线路由器设置，请参见无线路由器附带的说明手册或联系其制造商。请确保在此设置下计算机和无线路由器之间可以相互通讯。

检查 2 如果在无线路由器上筛选 MAC 地址或 IP 地址，请确认计算机、网络设备和打印机的 MAC 地址或 IP 地址是否已注册。

检查 3 如果使用 WPA/WPA2 或 WEP 密钥，请确保计算机、网络设备和打印机的加密密钥与为无线路由器设置的密钥相符。

除 WEP 密钥自身外，打印机、无线路由器以及计算机的密钥长度、密钥格式、要使用的密钥 ID 和认证方法都必须相符。

有关详细资料，请参见[设置加密密钥](#)。



启用加密时，在无线路由器上更改加密类型后无法与打印机通讯



如果更改打印机的加密类型后打印机无法与计算机通讯，请确保计算机和无线路由器的加密类型与为打印机设置的加密类型相符。

- [在无线路由器上启用 MAC/IP 地址筛选或加密密钥后无法与打印机通讯](#)

其他网络问题

- ▶ [检查网络信息](#)
- ▶ [恢复至出厂默认值](#)
- ▶ [设置过程中计算机上出现信息](#)
- ▶ [不断发送数据包\(Windows\)](#)

检查网络信息

- [检查打印机 IP 地址或 MAC 地址](#)
- [检查计算机 IP 地址或 MAC 地址](#)
- [检查计算机、打印机和无线路由器之间的通讯](#)
- [检查网络设置信息](#)

检查打印机 IP 地址或 MAC 地址

A

要检查打印机的 IP 地址或 MAC 地址，请打印出网络设置信息或使用操作面板显示。

- LCD 屏幕显示。

- [LAN 设置](#)

- 打印网络设置。

- [打印网络设置](#)

对于 Windows，可以在计算机屏幕上检查网络设置信息。

- [IJ Network Device Setup Utility 屏幕](#)

可以在 LCD 屏幕上显示打印机的 MAC 地址。

- [系统信息](#)

检查计算机 IP 地址或 MAC 地址

A

要检查计算机的 IP 地址或 MAC 地址，请按照以下说明操作。

- 对于 Windows:

1. 如下所示，选择**命令提示符**。

在 Windows 10 环境下，右键单击**开始按钮**并选择**命令提示符**。

在 Windows 8.1 或 Windows 8 环境下，从**开始**屏幕上选择**命令提示符**。如果**开始**屏幕上未显示**命令提示符**，请选择**搜索**超级按钮，然后搜索“**命令提示符**”。

在 Windows 7 或 Windows Vista 环境下，单击**开始** > **所有程序** > **附件** > **命令提示符**。

2. 输入“ipconfig/all”并按**回车**。

将出现计算机的 IP 地址和 MAC 地址。如果计算机未连接到网络，则不会显示 IP 地址。

- 对于 Mac OS:

1. 从 Apple 菜单选择**系统偏好设置**，然后单击**网络**。
2. 确保已选择计算机使用的网络接口，然后单击**高级**。
确保将 **Wi-Fi** 选择为网络接口。

3. 检查 IP 地址或 MAC 地址。

单击 **TCP/IP** 以检查 IP 地址。

单击 **硬件** 以检查 MAC 地址。

检查计算机、打印机和无线路由器之间的通讯

执行 ping 测试以检查是否发生通讯。

- 对于 Windows:

1. 如下所示，选择**命令提示符**。

在 Windows 10 环境下，右键单击**开始**按钮并选择**命令提示符**。

在 Windows 8.1 或 Windows 8 环境下，从**开始**屏幕上选择**命令提示符**。如果**开始**屏幕上未显示**命令提示符**，请选择**搜索**超级按钮，然后搜索“**命令提示符**”。

在 Windows 7 或 Windows Vista 环境下，单击**开始** > **所有程序** > **附件** > **命令提示符**。

2. 键入 ping 命令并按**回车**。

ping 命令如下：ping XXX.XXX.XXX.XXX

“XXX.XXX.XXX.XXX”是目标设备的 IP 地址。

如果发生通讯，会出现如下信息。

来自 XXX.XXX.XXX.XXX 的回复: 字节=32 时间=10ms TTL=255

如果出现**请求超时**，则未发生通讯。

- 对于 Mac OS:

1. 如下所示启动**网络实用工具**。

在 Mac OS X v10.11、Mac OS X v10.10 或 Mac OS X v10.9 环境下，从 Finder 的**转到**菜单上选择**电脑**，双击 **Macintosh HD** > **系统** > **资源库** > **CoreServices** > **应用程序** > **网络实用工具**。

在 Mac OS X v10.8 环境下，打开**应用程序**文件夹中的**实用工具**文件夹并双击**网络实用工具**。

2. 单击 **Ping**。

3. 确保已选择**仅发送 XX 个 ping**(XX 为数字)。

4. 在**输入要 ping 的网络地址**中输入目标无线路由器或打印机的 IP 地址。

5. 单击 **Ping**。

“XXX.XXX.XXX.XXX”是目标设备的 IP 地址。

出现如下信息。

```
64 bytes from XXX.XXX.XXX.XXX: icmp_seq=0 ttl=64 time=3.394 ms
```

```
64 bytes from XXX.XXX.XXX.XXX: icmp_seq=1 ttl=64 time=1.786 ms
```

```
64 bytes from XXX.XXX.XXX.XXX: icmp_seq=2 ttl=64 time=1.739 ms
```

```
--- XXX.XXX.XXX.XXX ping statistics ---
```

```
3 packets transmitted, 3 packets received, 0% packet loss
```

如果数据包丢失(packet loss)为 100%，则未发生通讯。 否则，计算机与目标设备通讯。

检查网络设置信息

要检查打印机的网络设置信息，请打印出网络设置信息或使用操作面板显示。

- LCD 屏幕显示。
 - [LAN 设置](#)
- 打印网络设置。
 - [打印网络设置](#)



恢复至出厂默认值



重要事项

- 对于 Windows:

初始化会删除打印机上的所有网络设置，导致无法通过网络从计算机进行打印或扫描操作。要在恢复至出厂默认值后再次通过网络使用打印机，请使用安装光盘或按照 Canon 网站上的说明恢复设置。

- 对于 Mac OS:

初始化会删除打印机上的所有网络设置，导致无法通过网络从计算机进行打印或扫描操作。要在恢复至出厂默认值后再次通过网络使用打印机，请按照 Canon 网站上的说明恢复设置。

使用打印机的操作面板初始化网络设置。

■ [重置设置](#)

打印问题

- ▶ 打印不开始
- ▶ 没有墨水喷出
- ▶ 打印结果不理想
- ▶ 纸张没有正确送入/“无纸”错误



打印不开始



检查 1 确保打印机插头已稳固地插入，然后按**电源**按钮开启打印机。

打印机正在初始化时，**电源**指示灯将闪烁。请等待至**电源**指示灯停止闪烁并持续亮起。

»» 注释

- 如果正在打印大量数据(如照片或其他图形)，可能需要更长的时间才能开始打印。计算机正在处理数据并将其发送到打印机时，**电源**指示灯会闪烁。请等待至打印开始。

检查 2 确保打印机已正确连接到计算机。

如果正在使用 USB 电缆线，确保其已稳固地连接到打印机和计算机。USB 电缆线插头已稳固地插入时，请检查以下内容：

- 如果正在使用机电设备(如 USB 集线器)，请断开连接，将打印机直接连接到计算机，并重试打印。如果打印正常开始，则机电设备有问题。请与机电设备厂商联系。
- 也可能是 USB 电缆线有问题。更换 USB 电缆线并重试打印。

如果通过 LAN 使用打印机，请确保已正确设置打印机以供网络使用。

»» 注释

- 对于 Windows：如果可以使用 IJ Network Device Setup Utility，请检查网络连接状态。

检查 3 确保纸张设置与后端托盘的设置信息匹配。

如果纸张设置与后端托盘的设置信息不匹配，LCD 屏幕上会出现错误信息。按照 LCD 屏幕上的说明解决问题。

»» 注释

- 可以选择是否显示防止误打印的信息。
 - 要更改使用打印机的操作面板打印或复印时的信息视图设置：
 - [设备用户设置](#)
 - 要更改使用打印机驱动程序进行打印时的信息视图设置：
 - [更改打印机操作模式 \(Windows\)](#)
 - [更改打印机操作模式 \(Mac OS\)](#)

检查 4 如果从计算机打印，请删除不需要的打印作业。

- 对于 Windows：
 - [删除不需要的打印作业](#)
- 对于 Mac OS：
 - [删除不需要的打印作业](#)

检查 5 打印时是否已选择打印机的打印机驱动程序？

如果正在使用的是其他打印机的打印机驱动程序，则打印机将无法正确打印。

- 对于 Windows：

确保在打印对话框中选择了“Canon XXX series”（“XXX”表示打印机的名称）。

▶▶▶ 注释

- 要将打印机作为默认选择的打印机，请选择**设置为默认打印机**。

- 对于 Mac OS：

确保在打印对话框的**打印机**中选择了所用打印机的名称。

▶▶▶ 注释

- 要将打印机作为默认选择的打印机，请将打印机选择为**默认打印机**。

检查 6 打印数据是否过大？(Windows)

单击打印机驱动程序**页设置**选项卡上的**打印选项**。然后，在显示的对话框中将**防止打印数据丢失**设置为开。

* 这可能会降低打印质量。

检查 7 如果从计算机打印，请重新启动计算机。



没有墨水喷出



检查 1 墨水是否已用完？

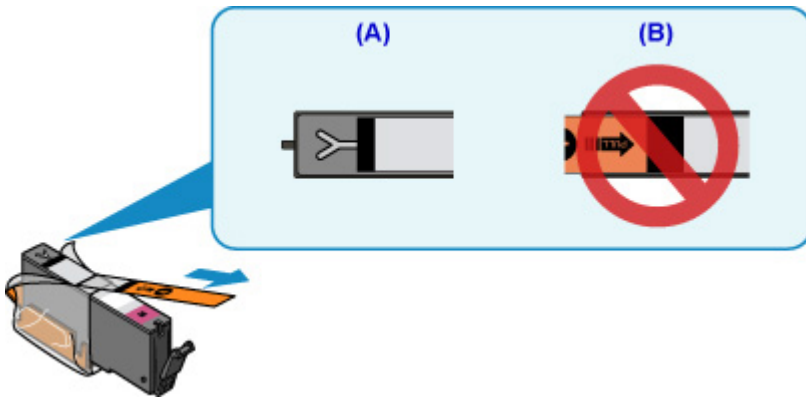
打开扫描单元/机盖，然后检查墨水指示灯。

■ [通过墨水指示灯检查墨水状态](#)

检查 2 橙色胶带或保护薄膜是否残留在墨水盒上？

确保如下(A)所示已撕下所有保护薄膜，以曝露 Y 形气孔。

如果橙色胶带仍留在墨水盒(B)上，请将其撕下。



检查 3 打印头喷嘴是否堵塞？

打印喷嘴检查图案以确定打印头喷嘴是否正常喷出墨水。

有关打印喷嘴检查图案、打印头清洗和打印头深度清洗的详细资料，请参见[如果打印变得暗淡或不均匀](#)。

- 如果喷嘴检查图案打印不正确：
检查问题颜色的墨水盒是否用尽。
如果墨水盒未用尽，请执行打印头清洗并再次尝试打印喷嘴检查图案。
- 如果执行两次打印头清洗后问题仍未解决：
执行打印头深度清洗。
如果执行打印头深度清洗后问题仍未解决，请关闭打印机并在 24 小时后再次执行打印头深度清洗。
- 如果执行两次打印头深度清洗后问题仍未解决：
如果打印头深度清洗无法解决问题，打印头可能已损坏。请与最近的 Canon 服务中心联系以要求维修。



纸张没有正确送入/“无纸”错误



检查 1 确保已装入纸张。

■ [装入纸张](#)

检查 2 装入纸张时，请注意以下事项。

- 装入两张或更多纸张时，装入纸张前请首先将纸张的边缘对齐。
- 装入两页或更多纸张时，请确保纸叠不超过纸张装入限量。

但是，根据纸张的类型或环境状况(很高或很低的温度或湿度)，纸张可能无法以此最大容量正确送入。在这种情况下，请将一次装入的纸张数减少到纸张装入限量的一半以下。

- 无论打印方向如何，请务必纵向装入纸张。
- 在后端托盘中装入纸张时，将纸张的打印面向上并使右侧和左侧纸张导片与纸叠对齐。

■ [装入纸张](#)

检查 3 纸张是否过厚或卷曲？

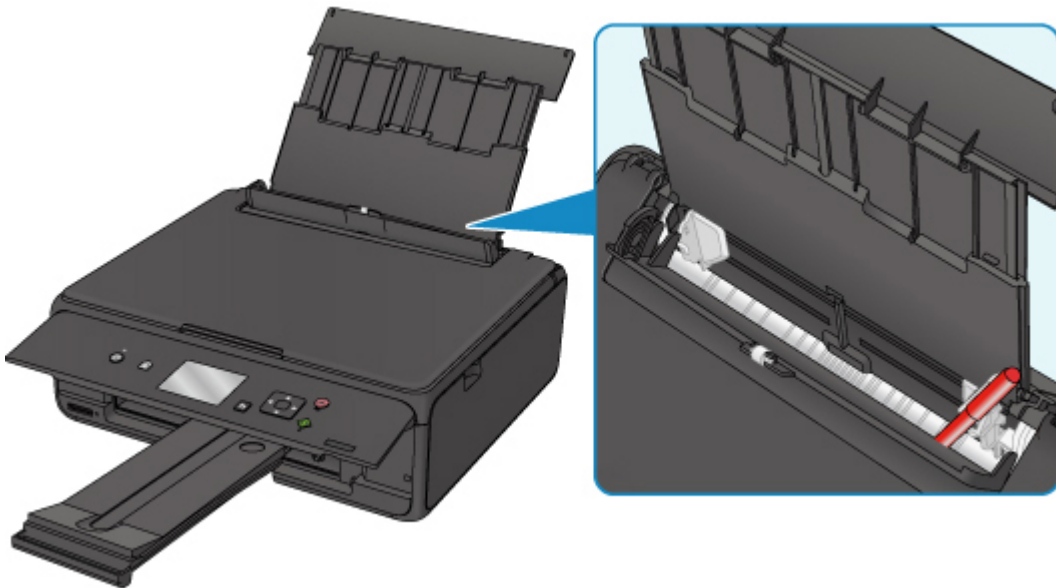
■ [不支持的介质类型](#)

检查 4 装入明信片或信封时，请注意以下事项：

- 如果明信片卷曲，则即使纸叠未超过纸张装入限量，可能也无法正确送入。
在后端托盘上将邮编栏朝下装入日本明信片。
- 在信封上打印时，请参见[装入纸张](#)并在打印前准备好信封。
准备好信封后，请将其纵向装入。如果信封横向装入，将无法正确地送入。

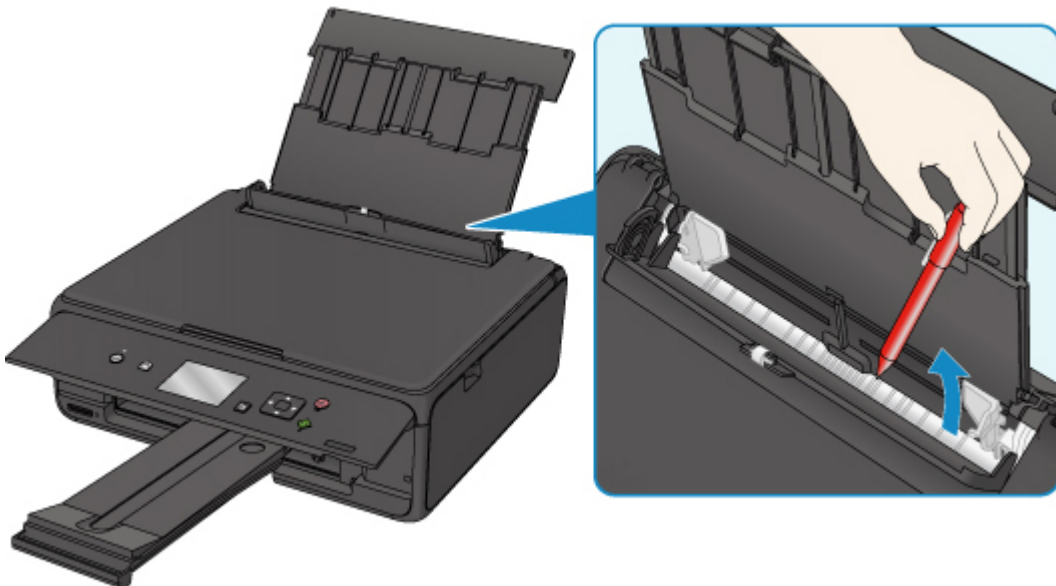
检查 5 确保介质类型和纸张尺寸设置与已装入的纸张一致。

检查 6 确保后端托盘中没有任何异物。



如果纸张在后端托盘中撕裂，请参见[与错误对应的支持代码列表\(卡纸\)](#)以将其取出。

如果后端托盘中有任何异物，请务必关闭打印机，从电源插座拔出打印机插头，然后取出异物。



注釋

- 如果进纸插槽盖板打开，请慢慢将其关闭。

检查 7 清洁进纸滚轴。

■ 清洁进纸滚轴

注釋

- 清洁进纸滚轴会磨损进纸滚轴，因此，请仅在需要时执行此操作。

如果以上措施未能解决问题，请与最近的 Canon 服务中心联系以要求维修。



打印结果不理想

如果由于白色条纹、线条偏移或颜色不均匀而造成打印结果不理想，请首先确认纸张和打印质量设置。



检查 1 页尺寸和介质类型设置是否与已装入纸张的尺寸和类型一致？

如果这些设置不匹配，则无法获得理想的结果。

如果打印照片或插图，不正确的纸张类型设置可能会降低打印输出色彩的质量。

同样，如果使用错误的纸张类型设置打印，则打印面可能出现划痕。

如果使用无边距打印，根据不同的纸张类型设置和所装入纸张的组合，可能出现颜色不均匀。

根据打印机的用途，检查纸张和打印质量设置的方法有所不同。

复印	使用操作面板检查设置。 ■ 设置复印项目
复印照片	使用操作面板检查设置。 ■ 复印照片
从存储卡打印	使用操作面板检查设置。 ■ 使用操作面板设置照片打印的项目
从兼容 PictBridge(无线 LAN)的设备打印	检查兼容 PictBridge(无线 LAN)的设备上的设置。 ■ PictBridge(无线 LAN)打印设置 使用操作面板检查设置。 ■ PictBridge 打印设置
从计算机打印	使用打印机驱动程序检查该设置。 • 对于 Windows: ■ 使用简易设置进行打印 • 对于 Mac OS: ■ 使用简易设置进行打印

检查 2 确保选择了适当的打印质量(参见上表)。

选择适用于纸张和打印内容的打印质量。如果发现模糊不清或颜色不均匀，请提高打印质量设置并重试打印。

►► 注释

- 从兼容 PictBridge(无线 LAN)的设备打印时，请使用操作面板设置打印质量设置。
无法在兼容 PictBridge(无线 LAN)的设备上进行此设置。

检查 3 如果问题未解决，请检查是否存在其他原因。

另请参见以下章节：

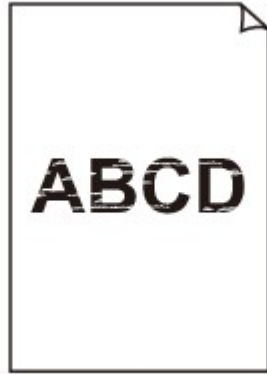
- [纸张空白/打印模糊不清/颜色错误/出现白色条纹](#)
- [线条未对齐](#)
- [纸张出现污迹/打印面有划痕](#)
- [图像旁边有垂直线条](#)
- 无法完成打印
- 线条不完整或缺失(Windows)
- 图像不完整或缺失(Windows)
- 墨水渍/纸张卷曲
- 纸张背面出现污迹
- 颜色不均匀或有条纹



纸张空白/打印模糊不清/颜色错误/出现白色条纹



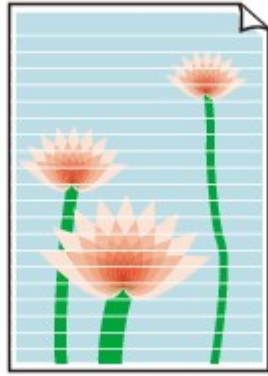
打印模糊不清



颜色错误



出现白色条纹



A

检查 1 检查纸张和打印质量设置。

■ [打印结果不理想](#)

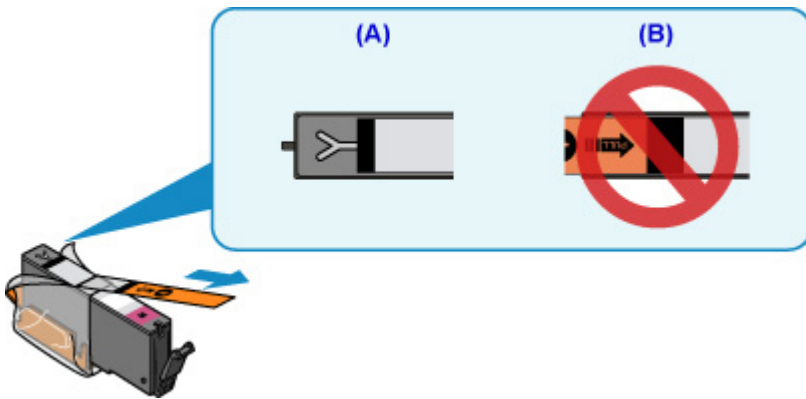
检查 2 检查墨水盒状态。如果墨水已用完，请更换墨水盒。

■ [更换墨水盒](#)

检查 3 橙色胶带或保护薄膜是否残留在墨水盒上？

确保如下(A)所示已撕下所有保护薄膜，以曝露 Y 形气孔。

如果橙色胶带仍留在墨水盒(B)上，请将其撕下。



检查 4 打印头喷嘴是否堵塞？

打印喷嘴检查图案以确定打印头喷嘴是否正常喷出墨水。

有关打印喷嘴检查图案、打印头清洗和打印头深度清洗的详细资料，请参见[如果打印变得暗淡或不均匀](#)。

- 如果喷嘴检查图案打印不正确：
检查问题颜色的墨水盒是否用尽。
如果墨水盒未用尽，请执行打印头清洗并再次尝试打印喷嘴检查图案。
- 如果执行两次打印头清洗后问题仍未解决：
执行打印头深度清洗。

如果执行打印头深度清洗后问题仍未解决，请关闭打印机并在 24 小时后再次执行打印头深度清洗。

- 如果执行两次打印头深度清洗后问题仍未解决：

如果打印头深度清洗无法解决问题，打印头可能已损坏。请与最近的 Canon 服务中心联系以要求维修。

检查 5 使用仅一面可打印的纸张时，确保将纸张可打印面向上装入。

在这种纸张错误的一面上打印可能会造成打印不清晰或打印质量降低。

将可打印面向上装入纸张。

有关可打印面的详细信息，请参阅纸张附带的说明手册。

- **复印时，另请参见以下部分：**

检查 6 稿台玻璃是否脏污？

清洁稿台玻璃。

- 清洁稿台玻璃和文档盖板

检查 7 确保原稿正确放置在稿台玻璃上。

- [放置原稿](#)

检查 8 是否将原稿要复印的一面向下放置在稿台玻璃上？

检查 9 是否复印了该打印机的打印结果？

如果使用该打印机的打印结果作为原稿，则根据原稿的状况，打印质量可能会下降。

直接从打印机打印，或者如果可以，从计算机重新打印。



线条未对齐



检查 1 检查纸张和打印质量设置。

■ [打印结果不理想](#)

检查 2 执行打印头对齐。

如果打印的线条没有对齐或打印效果不理想，请调整打印头位置。

■ [对齐打印头](#)

»» 注释

- 如果执行打印头对齐后问题未解决，请从计算机手动执行打印头对齐。
 - 对于 Windows：
 - [对齐打印头位置](#)
 - 对于 Mac OS：
 - [对齐打印头位置](#)

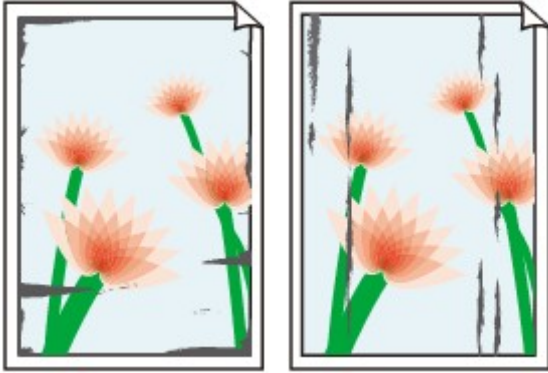
检查 3 提高打印质量并再次尝试打印。

使用操作面板或打印机驱动程序提高打印质量可能改善打印结果。



纸张出现污迹 / 打印面有划痕

纸张出现污迹



边缘有污迹

面有污迹



打印面有划痕



检查 1 检查纸张和打印质量设置。

■ [打印结果不理想](#)

检查 2 检查纸张类型。

确保正在使用正确的纸张进行打印。

■ [支持的介质类型](#)

检查 3 装入纸张前平整卷曲。

使用亚高光泽照片纸时，即使纸张卷曲，也请按原样一次装入一张纸。如果向相反方向卷起纸张以平整纸张，可能造成纸张表面出现裂纹并降低打印质量。

建议将未用完的纸张放回包装并将其平展放置。

- 普通纸

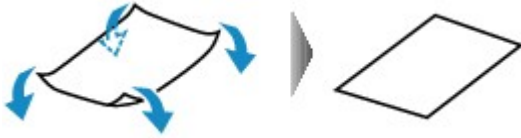
翻转纸张并重新装入以在另一面上打印。

- 其他纸张

如果纸张四角的卷曲高度超过 3 毫米/0.1 英寸(A)，纸张可能出现污迹或可能无法正确送入。按照以下说明平整纸张卷曲。



1. 如下图所示，向纸张卷曲的相反方向卷起纸张。

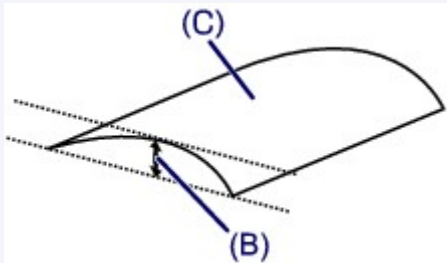


2. 确认纸张现在是否已平展。

建议每次使用一张平整后的纸张打印。

注 释

- 根据纸张类型，即使纸张未向内卷曲也可能出现污迹或无法正确送入。打印前请按照以下说明向外卷曲纸张，并且高度在 3 毫米/0.1 英寸(B)以内。这可能会改善打印效果。



(C) 打印面

建议每次送入一张向外卷曲过的纸张。

检查 4 设置打印机以防止纸张磨损。

调整防止纸张磨损的设置时会增加打印头与纸张之间的间隙。如果发现介质类型设置与纸张正确匹配时仍出现磨损，请使用操作面板或计算机设置打印机以防止纸张磨损。

这可能会降低打印速度。

* 完成打印后，请撤销此设置。否则，此设置将应用于后续打印作业。

- 从操作面板



按主页按钮，选择 、**设置**、**设备设置**和**打印设置**，然后将**防止纸张磨损**设置为开。

■ 从操作面板更改设置

- 从计算机

- 对于 Windows:

打开打印机驱动程序设置窗口，在**用户定义设置**选项卡中选择**维护**，选中**防止纸张磨损**复选框，然后单击**确定**。

要打开打印机驱动程序设置窗口，请参见如何打开打印机驱动程序设置窗口。

- 对于 Mac OS:

在 Canon IJ Printer Utility2 中，在弹出菜单中选择**用户定义设置**，选择**防止纸张磨损**复选框，然后单击**应用**。

要打开 Canon IJ Printer Utility2，请参见打开 Canon IJ Printer Utility2。

检查 5 如果浓度设置较高，请降低浓度设置并再次尝试打印。

如果正在使用高浓度设置在普通纸上打印，纸张可能会吸收过多墨水并卷曲，造成纸张磨损。

- 从计算机打印

检查打印机驱动程序中的浓度设置。

- 对于 Windows:

- 调节浓度

- 对于 Mac OS:

- 调节浓度

- 复印

- [设置复印项目](#)

检查 6 请勿在推荐的打印区域外打印。

如果在纸张的推荐打印区域外打印，则墨水可能会弄脏纸张的下边缘。

使用应用程序软件重新设置文档的尺寸。

- [打印区域](#)

检查 7 稿台玻璃是否脏污？

清洁稿台玻璃。

- [清洁稿台玻璃和文档盖板](#)

检查 8 进纸滚轴是否脏污？

清洁进纸滚轴。

- [清洁进纸滚轴](#)

注 释

- 清洁进纸滚轴会磨损进纸滚轴，因此，请仅在需要时执行此操作。

检查 9 打印机内部是否脏污？

在双面打印过程中，墨水可能会弄脏打印机内部，使打印输出脏污。

执行底板清洁以清洁打印机内部。

- [清洁打印机内部\(底板清洁\)](#)

注 释

- 要防止打印机内部脏污，请务必设置正确的纸张尺寸。

检查 10 设置更长的墨水晾干时间。

此功能可以晾干打印面，避免出现污迹和划痕。

- 对于 Windows：
 1. 确保打印机已开启。
 2. 打开打印机驱动程序设置窗口。
 - 如何打开打印机驱动程序设置窗口
 3. 单击**维护**选项卡，然后单击**用户定义设置**。
 4. 拖动**墨水晾干等待时间**滑动条以设置等待时间，然后单击**确定**。
 5. 查看信息，并单击**确定**。
- 对于 Mac OS：
 1. 确保打印机已开启。
 2. 打开 Canon IJ Printer Utility2。
 - 打开 Canon IJ Printer Utility2
 3. 在弹出菜单中选择**用户定义设置**。
 4. 拖动**墨水晾干等待时间**滑动条以设置等待时间，然后单击**应用**。
 5. 查看信息，并单击**好**。



图像旁边有垂直线条



检查 装入的纸张尺寸是否正确？

如果装入的纸张尺寸大于指定的尺寸，边距上可能会出现垂直线条。

设置纸张尺寸以匹配装入的纸张。

打印结果不理想

注释

- 根据图像数据或打印设置，垂直线条图案的方向可能有所不同。
- 本打印机在必要时执行自动清洁以保持打印输出干净。清洁时会喷出少量的墨水。

虽然墨水通常喷在纸张外边缘的墨水收集器上，但如果装入的纸张尺寸大于设置的尺寸，墨水也可能会喷到纸张上。

扫描的问题 (Mac OS)

- ▶ [扫描的问题](#)
- ▶ [IJ Scan Utility 错误信息](#)
- ▶ [IJ Scan Utility Lite 错误信息](#)
- ▶ [扫描仪驱动程序\(ICA 驱动程序\)错误信息](#)

扫描的问题

- ▶ 扫描仪不工作
- ▶ 扫描仪驱动程序不启动



扫描仪不工作



检查 1 确保扫描仪或打印机已开启。

检查 2 将 USB 电缆线连接到计算机上的另一个 USB 端口。

检查 3 如果 USB 电缆线连接到 USB 集线器，请将其从 USB 集线器上移除并连接到计算机上的 USB 端口。

检查 4 使用网络连接时，检查连接状态并根据需要重新连接。

检查 5 重新启动计算机。



扫描仪驱动程序不启动



检查 1 确保已安装扫描仪驱动程序[ICA(图像捕捉结构)驱动程序]。

如果未安装，请从我们网站安装扫描仪驱动程序。

检查 2 在应用程序的菜单中选择所用的扫描仪或打印机。

注

- 操作可能因应用程序而有所不同。

检查 3 确保应用程序支持 ICA 驱动程序。

无法从不支持 ICA 驱动程序的应用程序启动扫描仪驱动程序。

检查 4 使用 IJ Scan Utility 扫描并保存图像并在应用程序中打开文件。

IJ Scan Utility Lite 错误信息

如果出现 IJ Scan Utility Lite 错误信息，请检查错误代码并按照相应解决方法操作。

错误代码	错误信息	解决方法
152	内存不足。请退出其他应用程序以增加可用内存。	<ul style="list-style-type: none"> 无法获得启动 IJ Scan Utility Lite 所需的内存；请退出其他应用程序。
153	尝试扫描的图像尺寸无法在指定的应用程序中打开。更改设置以减小图像尺寸。	<ul style="list-style-type: none"> 减小分辨率或输出尺寸，然后重新扫描。
157	<p>由于以下原因无法与扫描仪通讯：</p> <ul style="list-style-type: none"> - 扫描仪被关闭。 - (如果使用有线 LAN 连接)从有线 LAN 被断开连接。 - (如果使用无线 LAN 连接)因为障碍物信号强度差。 - 网络连接被安全软件阻止。 - 在网络上已选择其他扫描仪。 <p>请检查以上内容并再次尝试扫描。 如果仍然无法通讯，请重新启动计算机。</p>	<ul style="list-style-type: none"> 使用网络连接时，检查连接状态并根据需要重新连接。如果仍出现相同错误信息，请重新启动计算机。
201	所需文件缺失或损坏，或者设置不正确。请尝试重新安装。	<ul style="list-style-type: none"> 从我们的网站重新安装扫描仪驱动程序。 从我们网站重新安装 IJ Scan Utility Lite。
202	<p>发生内部错误。请采取以下措施。</p> <ul style="list-style-type: none"> - 检查扫描仪状态。 - 重新启动扫描仪。 - 重新启动计算机，然后重试。 - 请重新安装扫描仪驱动程序。 	<ul style="list-style-type: none"> 发生内部错误。请采取以下措施。 <ul style="list-style-type: none"> 检查扫描仪状态。 重新启动扫描仪。 重新启动计算机，然后重试。 请重新安装扫描仪驱动程序。
231	无法完成扫描。磁盘空间不足。	<ul style="list-style-type: none"> 删除硬盘上不需要的文件并重新扫描。
232	无法完成扫描。磁盘空间不足。	<ul style="list-style-type: none"> 取消磁盘被写保护。
234	选择的型号不支持该扫描功能。选择不同的扫描功能。	<ul style="list-style-type: none"> 选择不同的扫描功能。
242	无法写入文件。	<ul style="list-style-type: none"> 在对应的设置对话框的保存位置中查看文件夹的访问权限。
243	无法读取文件。	<ul style="list-style-type: none"> 在对应的设置对话框的保存位置中查看文件夹的访问权限。
244	您不具备访问指定文件夹的权限。	<ul style="list-style-type: none"> 授予指定文件夹的访问权限。

245	<p>无法检测文本。确保没有应用以下情况。</p> <ul style="list-style-type: none"> - 文档语言设置与文档语言不匹配。 - 文档中没有文本。 - 扫描到检测不支持的文本。 	<ul style="list-style-type: none"> • 确保在文档语言对话框中的设置(基本设置)与文档语言相匹配。 • 确保文档中有文本。
-	<p>由于以下原因无法与扫描仪通讯:</p> <ul style="list-style-type: none"> - 扫描仪被关闭。 - (如果使用有线 LAN 连接)从有线 LAN 被断开连接。 - (如果使用无线 LAN 连接)因为障碍物信号强度差。 - (如果使用 USB 连接)USB 电缆线被断开。 - 其他软件或另一用户正在使用扫描仪。 <p>请检查并重试。</p>	<ul style="list-style-type: none"> • 确保扫描仪或打印机已开启。 • 使用网络连接时，检查连接状态并根据需要重新连接。 • 对于 USB 连接，检查 USB 电缆线的连接并根据需要重新连接。 • 关闭其他应用程序。

机械问题

- ▶ 电源未开启
- ▶ 电源自动关闭
- ▶ **USB 连接问题**
- ▶ 无法通过 **USB** 与打印机通讯
- ▶ **LCD 屏幕显示的语言错误**



电源未开启



检查 1 按**电源按钮**。

检查 2 确保电源插头已稳固地连接到打印机，然后重新开启。

检查 3 拔出打印机插头，至少等待 2 分钟，然后重新插入插头并再次启动。

如果此操作未能解决问题，请与最近的 Canon 服务中心联系以要求维修。



电源自动关闭



检查 如果将打印机设置为一段时间后自动关闭，请禁用此设置。

如果将打印机设置为在指定时间后自动关闭，则该时间过后，电源将自动关闭。

- 如果正在使用 Windows 并且不想打印机自动关闭：
打开打印机驱动程序设置窗口，在**维护**选项卡的**自动电源**中，将**自动电源关闭**选择为**禁用**。
- 如果正在使用 Mac OS 并且不想打印机自动关闭：
打开 Canon IJ Printer Utility2，在弹出菜单中选择**电源设置**，然后将**自动电源**上的**自动电源关闭**选择为**禁用**。

注 释

- 也可以从操作面板启用自动开启/关闭打印机的设置。
 - [环保设置](#)
- 如果正在使用 Windows，也可以从 ScanGear(扫描仪驱动程序)启用自动开启/关闭打印机的设置。
 - [扫描仪选项卡](#)

USB 连接问题

Q 打印或扫描速度慢/Hi-Speed USB 连接不能工作/出现信息“此设备可提高性能”(Windows)

A

如果系统环境不支持 Hi-Speed USB，打印机将以 USB 1.1 的较慢速度运行。在这种情况下，打印机可正常工作，但打印或扫描速度可能会因通讯速度而降低。

检查 检查以下各项以确保系统环境支持 Hi-Speed USB 连接。

- 计算机的 USB 端口是否支持 Hi-Speed USB 连接？
- USB 电缆线或 USB 集线器是否支持 Hi-Speed USB 连接？
务必使用合格的 Hi-Speed USB 电缆线。建议使用长度不超过约 3 米/10 英尺的 USB 电缆线。
- 计算机的操作系统是否支持 Hi-Speed USB 连接？
将最新版本的更新程序安装到计算机。
- Hi-Speed USB 驱动程序是否正常工作？
如有必要，为计算机获取并安装最新版本的 Hi-Speed USB 驱动程序。

重要事项

- 有关更多信息，请联系计算机、USB 电缆线或 USB 集线器制造商。



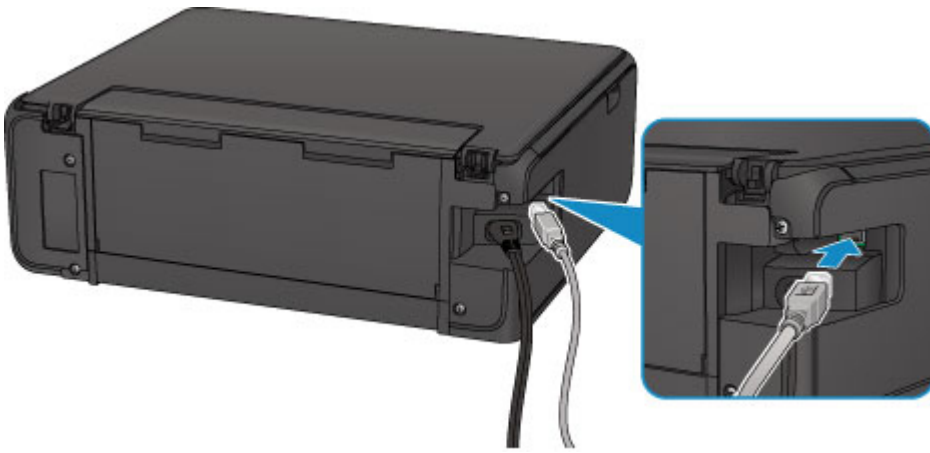
无法通过 USB 与打印机通讯



检查 1 确保打印机已开启。

检查 2 正确连接 USB 电缆线。

如下图所示，USB 端口位于打印机后部。



检查 3 确保已在打印机驱动程序属性对话框的端口选项卡中选择启用双向支持。

(Windows)

■ 如何打开打印机驱动程序设置窗口

安装和下载问题

- ▶ [无法安装 MP Drivers](#)
- ▶ [Easy-WebPrint EX 未启动或未显示 Easy-WebPrint EX 菜单\(Windows\)](#)



无法安装 MP Drivers



■ [对于 Windows:](#)

■ [对于 Mac OS:](#)


对于 Windows:

- 如果插入安装光盘后安装未开始:

请按照以下说明开始安装。

1. 请进行以下设置。

- 在 Windows 10 环境下，单击**开始按钮** > **文件资源管理器**，然后从左侧列表中单击**这台电脑**。
- 在 Windows 8.1 或 Windows 8 环境下，选择**桌面上任务栏中的 Explorer** 图标，然后从左侧列表中选择**这台电脑(Windows 8 的计算机)**。
- 在 Windows 7 或 Windows Vista 环境下，单击**开始**，然后单击**计算机**。

2. 在出现的窗口中双击  光盘图标。

如果出现了光盘的内容，双击 **MSETUP4.EXE**。

如果无法使用安装光盘安装 MP Drivers，请从 Canon 网站进行安装。

注 释

- 如果未出现光盘图标，请尝试以下操作：
 - 从计算机中取出光盘，然后将其重新插入。
 - 重新启动计算机。

如果仍未出现光盘图标，请试用其他光盘，然后查看是否会出现光盘图标。如果出现，则此安装光盘存在问题。请与最近的 Canon 服务中心联系以要求维修。

- 如果无法跳过打印机连接屏幕：



■ [在打印机连接屏幕/连接电缆线屏幕无法继续操作](#)

- 其他情况：

重新安装 MP Drivers。

如果没有正确地安装 MP Drivers，请卸载 MP Drivers，重新启动计算机，然后重新安装 MP Drivers。

■ 删除不需要的 MP Drivers

使用安装光盘或从 Canon 网站重新安装 MP Drivers。

►► 注释

- 如果因 Windows 错误而导致安装程序停止，Windows 操作可能不稳定，并且可能无法安装驱动程序。请重新启动计算机，然后重新安装驱动程序。

对于 Mac OS：

请从 Canon 网站的支持页面下载驱动程序，然后重新安装。



在网络环境中更新 MP Drivers(Windows)



下载最新的 MP Drivers。

可从 Canon 网站为所用型号下载最新的 MP Drivers。

卸载现有的 MP Drivers，并按照安装说明安装下载的最新 MP Drivers。在连接方法选择屏幕中，选择**通过无线 LAN 连接使用打印机**。将会自动在网络中检测打印机。

确保已找到打印机，并按照屏幕上的说明安装 MP Drivers。

▶▶▶ 注释

- 打印机上的网络设置不会受到影响，因此可以在网络上使用打印机而无需恢复设置。

错误和信息

- ▶ 发生错误
- ▶ 出现信息

发生错误

如果打印时发生错误(例如, 纸张用完或卡纸), 会自动显示故障排除信息。采取信息中描述的适当措施。

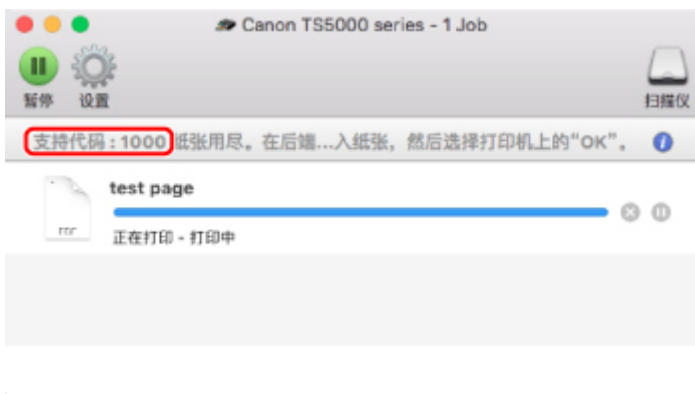
发生错误时, 信息会显示在计算机屏幕或 LCD 屏幕上。根据发生的错误, 支持代码(错误编号)会显示在计算机屏幕或 LCD 屏幕上。

当支持代码和信息显示在计算机屏幕上时:

- 对于 Windows:

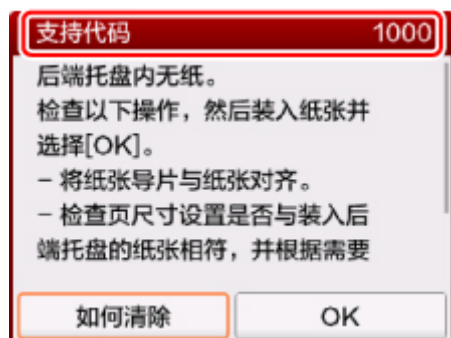


- 对于 Mac OS:



*根据使用的操作系统, 屏幕会有所不同。

当支持代码和信息显示在 LCD 屏幕上时：



有关如何解决错误的详细资料，请参见[与错误对应的支持代码列表](#)。

►► 注释

- 有关如何解决不带支持代码的错误的详细资料，请参见[出现信息](#)。

出现信息

本节描述可能出现的部分错误和信息。

►► 注释

- 计算机或 LCD 屏幕上会显示某些错误的支持代码(错误编号)。有关带支持代码的错误的详细资料，请参见[与错误对应的支持代码列表](#)。

如果 LCD 屏幕上出现信息，请参见以下内容。

■ [LCD 屏幕上出现信息](#)

如果计算机上出现信息，请参见以下内容。

- [显示有关电源线被拔出的错误\(Windows\)](#)
- [写入错误/输出错误/通讯错误 \(Windows\)](#)
- [其他错误信息\(Windows\)](#)
- [显示 Inkjet Printer/Scanner/Fax Extended Survey Program 屏幕\(Windows\)](#)
- [出现 Inkjet Printer/Scanner/Fax Extended Survey Program 图标\(Mac OS\)](#)

LCD 屏幕上出现信息

检查信息并采取适当措施。

- **未保存所支持类型的数据。**
 - 存储卡中未保存打印机可读取的图像数据。
 - 如果文件名称或文件夹路径包含某些特定字符，则打印机可能无法识别该文件。请仅使用字母数字字符。
 - 在计算机上编辑或处理过的照片数据必须从计算机打印。

►► 注释

- 选择了在计算机上处理过的照片时，LCD 屏幕上将显示“?”。

- **此存储卡当前为从计算机可写。请设置为[从计算机不可写]。**

存储卡插槽设置为从 **USB 连接计算机可写**。

存储卡插槽设置为从 **USB 连接计算机可写**时，无法从存储卡打印。在存储卡中写入数据后，为设备用户设置下的**读/写属性**选择**从计算机不可写**。

- **上次电源未正确关闭。请在关闭电源时按按钮。**

打印机电源线可能在电源还处于开启状态时被拔出。

选择 LCD 屏幕上的 **OK**。

►► 注释

- 请参见[拔出打印机插头](#)以正确拔出打印机插头。

- **无法连接至服务器。请稍候并重试。**

由于通讯错误，打印机无法连接到服务器。

选择 LCD 屏幕上的 **OK**，过一段时间后重试。

显示有关电源线被拔出的错误(Windows)

打印机插头可能在其处于开启状态时被拔出。

检查计算机屏幕上显示的错误信息，并单击**确定**。

打印机开始打印。

请参见[拔出打印机插头](#)了解关于拔出电源线的问题。

写入错误/输出错误/通讯错误 (Windows)

检查 1 如果**电源**指示灯熄灭，请确保打印机已插入电缆线并将其开启。

打印机正在初始化时，**电源**指示灯将闪烁。请等待至**电源**指示灯停止闪烁并持续亮起。

检查 2 确保打印机已正确连接到计算机。

如果正在使用 USB 电缆线，确保其已稳固地连接到打印机和计算机。USB 电缆线插头已稳固地插入时，请检查以下内容：

- 如果正在使用继电器设备(如 USB 集线器)，请断开连接，将打印机直接连接到计算机，并重试打印。如果打印正常开始，则继电器设备有问题。请与继电器设备厂商联系。
- 也可能是 USB 电缆线有问题。更换 USB 电缆线并重试打印。

如果通过 LAN 使用打印机，请确保通过 LAN 电缆线将打印机连接到网络，或打印机已正确设置可供网络使用。

检查 3 确保 MP Drivers 安装正确。

按照删除不需要的 MP Drivers 中描述的步骤卸载 MP Drivers，然后从安装光盘或 Canon 网站重新安装。

检查 4 使用 USB 电缆线将打印机连接到计算机时，从计算机检查设备状态。

请按照以下步骤检查设备状态。

1. 打开计算机的设备管理器，如下所示。

如果出现**用户帐户控制**屏幕，请按照屏幕上的说明进行操作。

- 在 Windows 10 环境下，右键单击**开始**按钮并选择**设备管理器**。
- 在 Windows 8.1 或 Windows 8 环境下，从桌面的**设置**超级按钮选择**控制面板 > 硬件和声音 > 设备管理器**。
- 在 Windows 7 或 Windows Vista 环境下，单击**控制面板、硬件和声音**，然后单击**设备管理器**。

2. 双击**通用串行总线控制器**，然后双击 **USB 打印支持**。

如果没有显示 **USB 打印支持属性**屏幕，请确保打印机已正确连接到计算机。

■ **检查 2** [确保打印机已正确连接到计算机。](#)

3. 单击**常规**选项卡并检查设备问题。

如果显示设备错误，请参见 Windows 帮助以解决该错误。

其他错误信息(Windows)

检查 如果打印机状态监视器外出现错误信息，请检查以下内容：

- “**硬盘空间不足，无法成功地执行后台处理**”

删除不需要的文件以增加磁盘可用空间。

- “**内存不足，无法成功地执行后台处理**”

关闭其他应用程序以增加可用的内存。

如果仍然无法打印，请重新启动计算机并重试打印。

- “**找不到打印机驱动程序**”

按照删除不需要的 MP Drivers 中描述的步骤卸载 MP Drivers，然后从安装光盘或 Canon 网站重新安装。

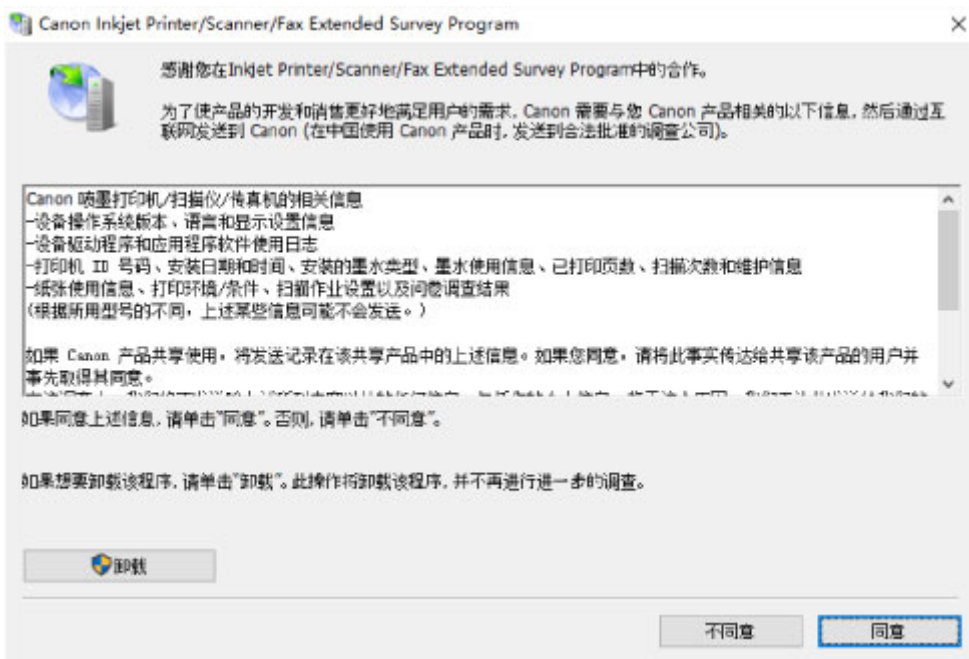
- “**无法打印应用程序名称 - 文件名称**”

完成当前作业后，请再次试打印。

显示 Inkjet Printer/Scanner/Fax Extended Survey Program 屏幕 (Windows)

如果已安装 Inkjet Printer/Scanner/Fax Extended Survey Program，在大约十年内每隔一个月将显示请求许可发送打印机和应用程序使用信息的屏幕。

请阅读屏幕上的信息并按照以下说明操作。



• **如果同意参加调查计划：**

单击**同意**，然后按照屏幕上的说明操作。打印机使用信息将通过互联网发送。完成该步骤后，以后将自动发送该信息，并且不会再次出现该确认屏幕。

▶▶▶ **注释**

- 发送信息时，可能会出现警告(如互联网安全信息)。确保该计划名称为“IJPLMUI.exe”，然后同意发送。
- 如果清除**下一次自动发送**复选框，则从下一次起将不会自动发送信息并且下次调查时将显示确认屏幕。要自动发送信息，请参见[更改确认屏幕设置：](#)。

• **如果不同意参加调查计划：**

单击**不同意**。确认屏幕将关闭，同时会跳过调查。一个月后将会再次出现确认屏幕。

• **卸载 Inkjet Printer/Scanner/Fax Extended Survey Program：**

要卸载 Inkjet Printer/Scanner/Fax Extended Survey Program，请单击**卸载**，然后按照屏幕上的说明操作。

• **更改确认屏幕设置：**

1. 请进行以下设置。

- 在 Windows 10 环境下，右键单击**开始**按钮并选择**程序和功能**。
- 在 Windows 8.1 或 Windows 8 环境下，从桌面的**设置**超级按钮选择**控制面板 > 程序 > 程序和功能**。
- 在 Windows 7 或 Windows Vista 环境下，选择**开始菜单 > 控制面板 > 程序 > 程序和功能**。

▶▶▶ **注释**

- 安装、卸载或启动软件时，可能会出现确认/警告对话框。
当需要管理权限以执行任务时，会出现该对话框。
如果登录到具有管理员权限的帐户，请按照屏幕上的说明进行操作。

2. 选择 **Canon Inkjet Printer/Scanner/Fax Extended Survey Program**。
3. 选择**更改**。

按照屏幕上的说明进行操作后，如果选择**是**，下次调查时将出现确认屏幕。

如果选择**否**，将自动发送信息。

►►► 注释

- 如果选择**卸载**，会卸载 Inkjet Printer/Scanner/Fax Extended Survey Program。请按照屏幕上的说明进行操作。

Q 出现 Inkjet Printer/Scanner/Fax Extended Survey Program 图标(Mac OS)

A

如果已安装 Inkjet Printer/Scanner/Fax Extended Survey Program，在大约十年内每隔一个月将发送一次打印机和应用程序软件使用信息。到发送打印机使用信息的时间时，Dock 中将出现 **Inkjet Printer/Scanner/Fax Extended Survey Program** 图标。

单击图标，阅读出现的信息，然后按照以下说明操作。



- **如果同意参加调查计划：**

单击**同意**，然后按照屏幕上的说明操作。打印机使用信息将通过互联网发送。完成该步骤后，以后将自动发送该信息，并且不会再次出现该确认屏幕。

►►► 注释

- 如果清除下一次自动发送复选框，则从下一次起将不会自动发送信息，并且在下次调查时 **Inkjet Printer/Scanner/Fax Extended Survey Program** 图标将出现在 Dock 中。

- **如果不同意参加调查计划：**

单击**不同意**。确认屏幕将关闭，同时会跳过调查。一个月后将会再次出现确认屏幕。

- **要停止发送信息：**

单击**关闭**。这将停止 Inkjet Printer/Scanner/Fax Extended Survey Program，并且不会发送信息。要恢复调查，请参见[更改设置：](#)。

- **卸载 Inkjet Printer/Scanner/Fax Extended Survey Program：**

1. 停止 Inkjet Printer/Scanner/Fax Extended Survey Program。

- [更改设置：](#)

2. 从 Finder 的**转到**菜单中选择**应用程序**，双击 **Canon Utilities** 文件夹和 **Inkjet Extended Survey Program** 文件夹。
3. 将 **Canon Inkjet Printer/Scanner/Fax Extended Survey Program.app** 文件移动至**废纸篓**。
4. 重新启动计算机。

清空**废纸篓**并重新启动计算机。

- **更改设置：**

要每次发送打印机使用信息时显示确认屏幕或要恢复调查，请按照以下步骤操作。

1. 从 Finder 的**转到**菜单中选择**应用程序**，双击 **Canon Utilities** 文件夹和 **Inkjet Extended Survey Program** 文件夹。
2. 双击 **Canon Inkjet Printer/Scanner/Fax Extended Survey Program** 图标。



- **当信息发送，不显示确认屏幕：**

如果已选择复选框，将自动发送信息。

如果没有选中复选框，下次调查时 **Inkjet Printer/Scanner/Fax Extended Survey Program** 图标将出现在 Dock 中。单击图标并按照屏幕上的说明进行操作。

- **关闭/启用按钮:**

单击**关闭**按钮以停止 Inkjet Printer/Scanner/Fax Extended Survey Program。

单击**启用**按钮以重新启动 Inkjet Printer/Scanner/Fax Extended Survey Program。

与错误对应的支持代码列表

发生错误时，LCD 屏幕和计算机屏幕上会出现支持代码。

“支持代码”表示错误编号，并伴随错误信息一起出现。

发生错误时，检查显示在 LCD 屏幕和计算机屏幕上的支持代码并采取适当响应措施。

LCD 屏幕和计算机屏幕上出现支持代码

• 1000 到 1ZZZ

[1000](#) [1200](#) 1240 1270 [1300](#) [1401](#)

1403 1405 140B 1410 1411 1412

1413 1414 1551 1552 [1600](#) [1660](#)

1680 1681 1684 [1688](#) [1689](#) [1700](#)

1701 1710 1711 1730 1731 1750

[1890](#)

• 2000 到 2ZZZ

2114 2123 2700 [2900](#) [2901](#)

• 3000 到 3ZZZ

3402 3403 3405 3407 3408 3410

3411 3412 3413 3438 3439 3440

3441 3442 3443 3444 3445 3446

3447

• 4000 到 4ZZZ

4100 [4103](#)

• 5000 到 5ZZZ

[5011](#) [5012](#) 5050 [5100](#) [5200](#) 5400

5700 [5B00](#) 5B01 5B10 5B11 5C02

• 6000 到 6ZZZ

[6000](#) 6001 6004 6500 6502 6800

6801 6900 6901 6902 6910 6911

6930 6931 6932 6933 6934 6935

6936 6937 6938 6940 6941 6942

6943 6944 6945 6946 6A80 6A81

6A82

• **A000 到 ZZZZ**

B202 B203 B204 B205 [C000](#)

有关卡纸支持代码，另请参见[与错误对应的支持代码列表\(卡纸\)](#)。

与错误对应的支持代码列表(卡纸)

如果卡纸，请按照如下所示的适当步骤取出卡纸。

- 如果在出纸槽中或后端托盘中可以看到卡纸：
 - [1300](#)
- 如果在出纸槽中或后端托盘中无法看到卡纸：
 - [打印机内卡纸](#)
- 除上述以外的其他情况：
 - 其他情况

1300

原因

出纸槽或后端托盘中卡纸。

处理方法

按照以下说明取出卡纸。

1. 请从出纸槽或后端托盘选择较容易拉出的一端，慢慢地拉出纸张。

用双手托住纸张，然后慢慢将其拉出以免撕裂。



注 释

- 如果无法拉出卡纸，请重新开启打印机，无需强行拉出。纸张可能会自动输出。
- 如果在打印过程中卡纸，并且需要关闭打印机才能将其取出，请在关闭打印机前按**停止**按钮停止打印。
- 如果纸张撕裂且无法从出纸槽或后端托盘中取出卡纸，则从打印机内部取出卡纸。

■ [打印机内卡纸](#)

2. 重新装入纸张并选择 LCD 屏幕上的 **OK**。

打印机恢复打印。如果正在打印的页面因为卡纸而未正确打印，请重新打印该页。

如果在步骤 1 中关闭打印机，将清除发送到打印机的打印数据。重新打印。

注 释

- 重新装入纸张时，请确保使用合适的纸张并将其正确装入打印机。
- 建议使用除 A5 以外的纸张尺寸打印照片或图形文档。A5 纸张在从打印机输出时，可能会卷曲并卡纸。

如果以上措施未能解决问题，请与最近的 Canon 服务中心联系以要求维修。

打印机内卡纸

如果卡纸撕裂且无法从出纸槽或后端托盘中取出，或卡纸留在打印机内，请先从扫描单元/机盖内部取出卡纸。

■ 从扫描单元/机盖内部取出卡纸

如果无法从扫描单元/机盖内部取出卡纸，请从打印机底部取出卡纸。

■ 从打印机底部取出卡纸

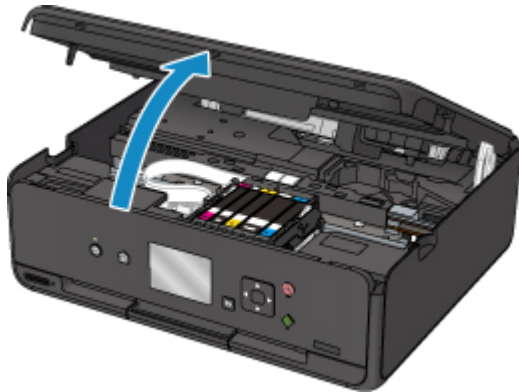
从扫描单元/机盖内部取出卡纸

按照以下说明取出卡纸。

▶▶▶ 注释

- 如果在打印过程中卡纸，并且需要关闭打印机才能将其取出，请在关闭打印机前按**停止**按钮停止打印。

1. 关闭打印机并拔出插头。
2. 打开扫描单元/机盖。



▶▶▶ 重要事项

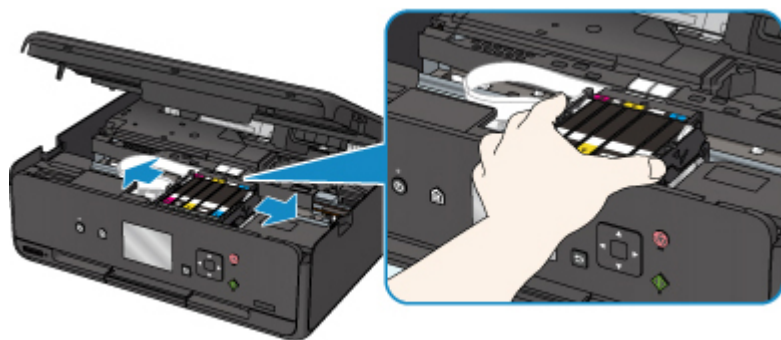
- 请勿触摸白色带子(A)。



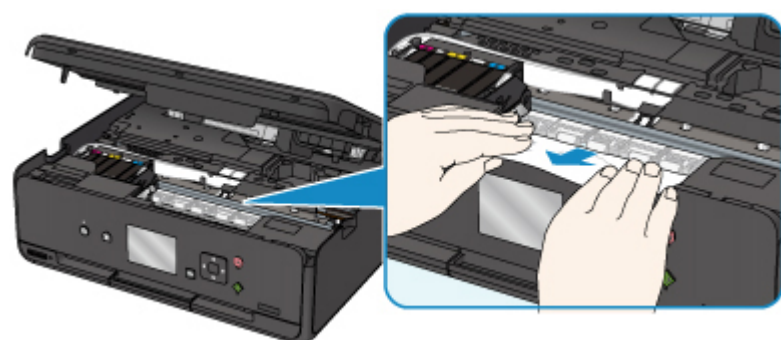
如果用纸张或手碰触到这个部件而将其弄脏或划伤，可能会损坏打印机。

3. 检查卡纸是否在打印头固定器下方。

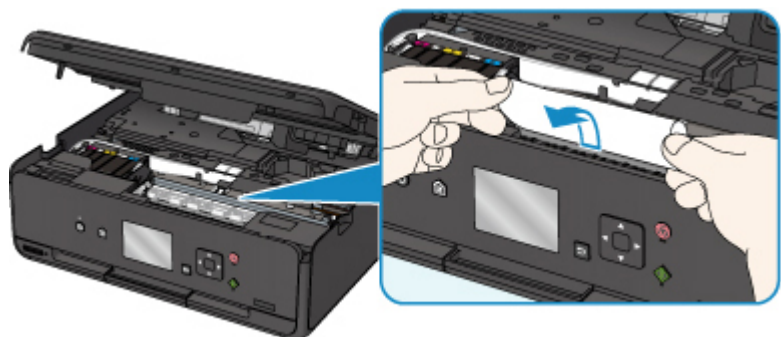
如果卡纸在打印头固定器下方，请将打印头固定器移动到右边缘或左边缘(更容易取出卡纸的一侧)。
移动打印头固定器时，握住打印头固定器的顶端并慢慢地将其移动到右边缘或左边缘。



4. 用双手紧握卡纸。

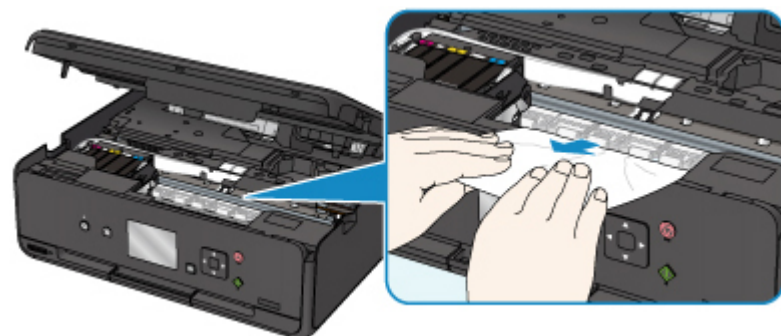


如果纸张卷曲，将其拉出。



5. 慢慢拉出纸张以免其撕裂。

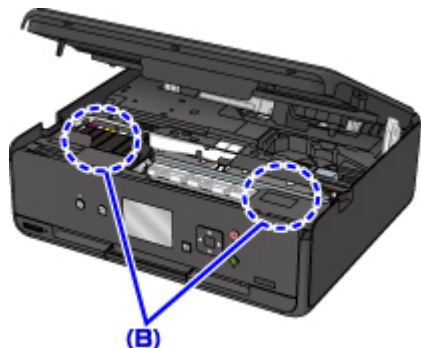
以约 45 度的倾斜角度拉出纸张。



6. 确保已取出所有卡纸。

如果拉出纸张时纸张撕裂，打印机内可能残留纸张碎片。检查以下各项并取出所有残留纸张。

- 打印头固定器下方是否有纸张残留？
- 打印机内部是否有纸张碎片残留？
- 打印机内部的左侧和右侧空间(B)是否有纸张残留？



7. 关紧扫描单元/机盖。

打印队列中所有的作业将被取消。重新打印。

注 释

- 重新装入纸张时，请确保使用合适的纸张并将其正确装入打印机。如果取出所有卡纸后恢复打印时，LCD 屏幕或计算机屏幕上出现卡纸信息，打印机内可能仍残留纸张碎片。再次检查打印机是否有任何残留纸张碎片。

从打印机底部取出卡纸

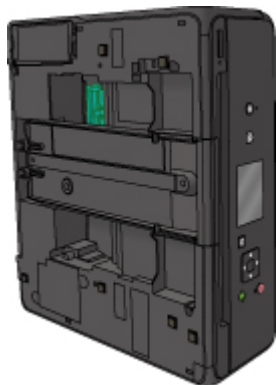
按照以下说明取出卡纸。

注 释

- 如果在打印过程中卡纸，并且需要关闭打印机才能将其取出，请在关闭打印机前按**停止**按钮停止打印。

1. 关闭打印机并拔出插头。

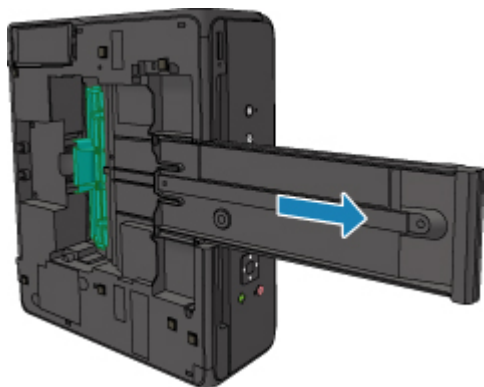
2. 将右侧朝下竖起打印机。



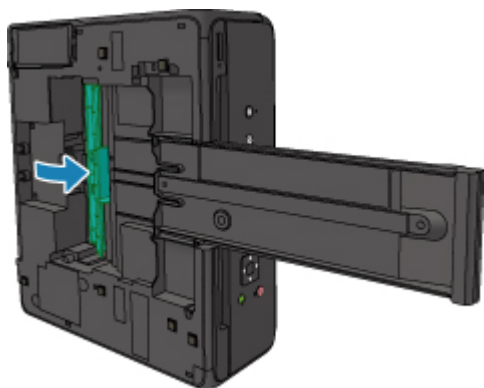
重要事项

- 将右侧朝下竖起打印机前，确保已关闭文档盖板。
- 在较宽的平面(如桌子)上竖起打印机。
- 用双手扶稳打印机，将其竖起，请勿碰撞任何物体。

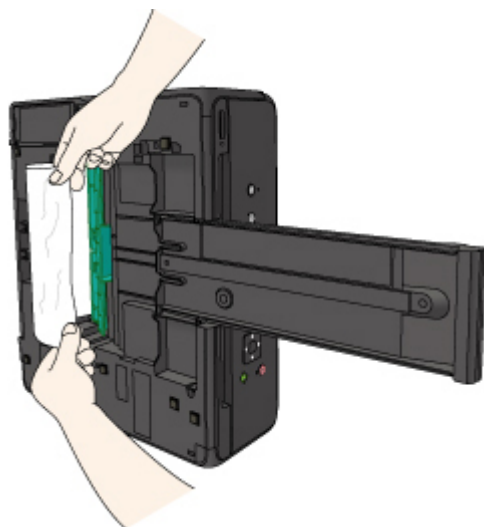
3. 拉出出纸托盘。



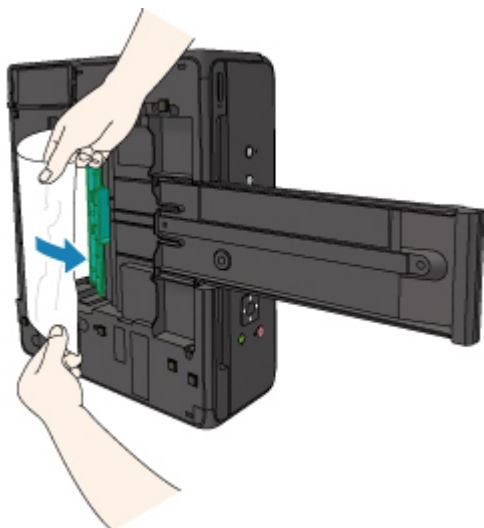
4. 打开底盖。



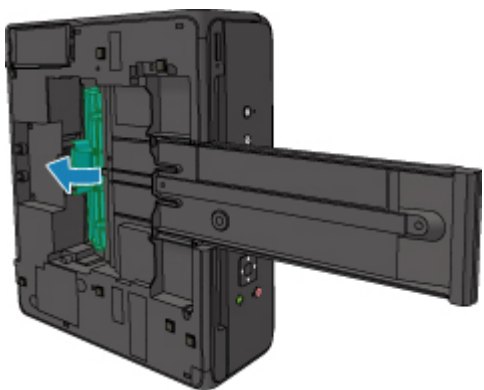
5. 用双手紧握卡纸。



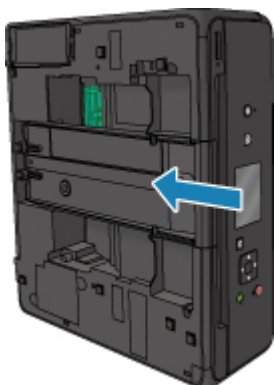
6. 慢慢拉出纸张以免其撕裂。



7. 关闭底盖。



8. 收回出纸托盘。



9. 将打印机放回原位。



打印队列中所有的作业将被取消。重新打印。

注釋

- 重新装入纸张时，请确保使用合适的纸张并将其正确装入打印机。如果取出所有卡纸后恢复打印时，LCD 屏幕或计算机屏幕上出现卡纸信息，打印机内可能仍残留纸张碎片。再次检查打印机是否有任何残留纸张碎片。

如果以上措施未能解决问题，请与最近的 Canon 服务中心联系以要求维修。

1000

原因

可能包括以下原因。

- 后端托盘缺纸。
- 纸张未正确装入后端托盘。

处理方法

采取以下相应解决方法。

- 请将纸张装入后端托盘中。
- 在后端托盘中装入纸张时，将纸张导片与纸张的两个边缘对齐。
- 设置后端托盘中纸张的纸张信息。

采取上述措施后，选择 LCD 屏幕上的 **OK**。

重要事项

- 将纸张装入后端托盘后，务必关闭进纸插槽盖板。如果进纸插槽盖板打开，纸张将无法送入。

注释

- 将纸张装入后端托盘后，将出现设置后端托盘纸张信息的屏幕。设置后端托盘中纸张的纸张信息。
- 要取消打印，按打印机的**停止**按钮。

1200

原因

扫描单元/机盖已打开。

处理方法

关闭扫描单元/机盖并等待片刻。

更换墨水盒时请勿将其合上。

1401

原因

打印头可能已损坏。

处理方法

请与最近的 Canon 服务中心联系以要求维修。

1600

原因

如果墨水盒上的指示灯闪烁，墨水可能已用完。

处理方法

建议更换墨水盒。

如果打印正在进行并希望继续打印，请在不取出墨水盒的情况下按打印机的 **OK** 按钮。然后可以继续打印。建议在打印完毕之后更换墨水盒。如果在墨水用完的情况下继续打印，打印机可能会被损坏。

►► 注释

- 如果多个墨水指示灯闪烁，请检查每个墨水盒的状态。

1660

原因

没有安装墨水盒。

处理方法

请安装墨水盒。

1688

原因

墨水已用完。（墨水盒上的指示灯闪烁。）

处理方法

请更换墨水盒，然后关闭扫描单元/机盖。

在当前情况下进行打印，可能会损坏打印机。

如果希望在这种情况下继续打印，您需要禁用剩余墨水量检测功能。按住本机的**停止**按钮至少 5 秒，然后松开。

如果执行该操作，禁用剩余墨水量检测功能将被记录。请注意，对于可能因在墨水用完的情况下继续打印而导致的故障或问题，Canon 将不承担任何责任。

▶▶▶ 注释

- 如果禁用剩余墨水量检测功能，检查当前估计墨水量时，LCD 屏幕上的墨水盒会显示为灰色。

1689

原因

打印机检测出墨水用完情况(墨水盒上的指示灯闪烁)。

处理方法

请更换墨水盒，然后关闭扫描单元/机盖。

安装了用尽过的墨水盒。

在墨水用完的情况下进行打印，可能会损坏打印机。

如果希望继续打印，您需要禁用剩余墨水量检测功能。要禁用该功能，请按住打印机的**停止**按钮至少 5 秒，然后松开。

如果执行该操作，禁用剩余墨水量检测功能将被记录。请注意，对于因在墨水用完的情况下继续打印或使用再填充墨水盒而导致的任何故障或问题，Canon 将不承担任何责任。

▶▶▶ 注释

- 如果禁用剩余墨水量检测功能，检查当前估计墨水量时，LCD 屏幕上的墨水盒会显示为灰色。

1700

原因

墨水收集器将满。

处理方法

选择 LCD 屏幕上的 **OK** 继续打印。请与最近的 Canon 服务中心联系以要求维修。

▶▶ 注释

- 如果因剩余墨水量而导致出现警告或错误，打印机将无法打印或扫描。

1890

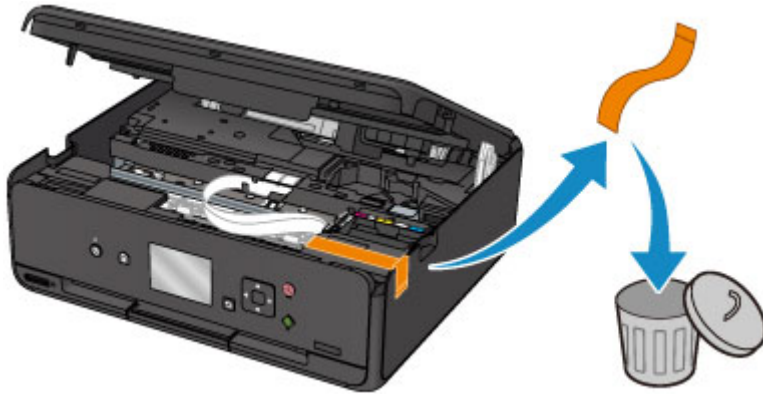
原因

可能没有取下运输过程中用于固定打印头固定器的胶带。

处理方法

打开扫描单元/机盖，确保已取下运输过程中用于固定打印头固定器的胶带。

如果胶带还未取下，请将其取下并关闭扫描单元/机盖。



如果此操作未能解决问题，请与最近的 Canon 服务中心联系以要求维修。

2900

原因

扫描打印头对齐页失败。

处理方法

选择 LCD 屏幕上的 **OK** 并按照以下说明操作。

- 确保以正确的位置和方向将打印头对齐页放置在稿台玻璃上。
- 确保稿台玻璃和打印头对齐页没有污迹。
- 确保装入的纸张正确。

对于自动打印头对齐，请装入 A4 或 Letter 尺寸的普通纸。

- 确保打印头喷嘴没有堵塞。

打印喷嘴检查图案以检查打印头状况。

采取上述操作后，请尝试手动打印头对齐。

2901



原因

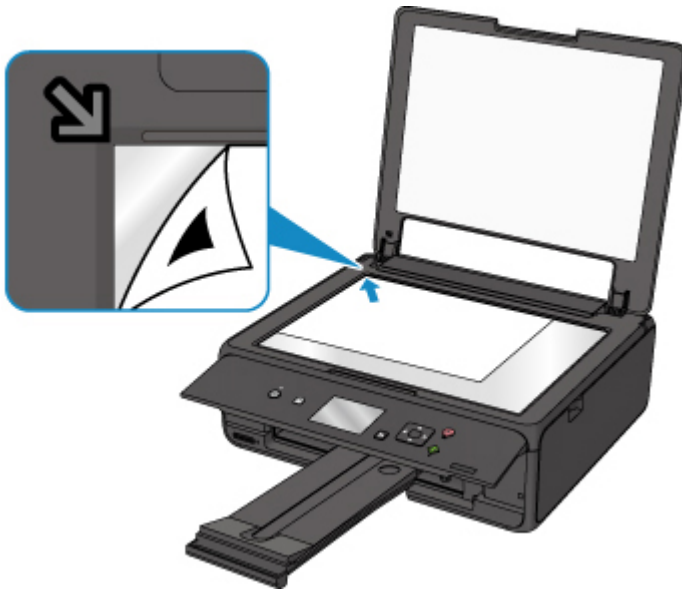
已打印打印头对齐图案，并且打印机正在等待扫描对齐页。

处理方法

扫描打印的对齐图案。

1. 将打印头对齐页放置在稿台玻璃上。

将打印面向下放置，并将该页左上角的标记与对齐标记对齐。



2. 慢慢关闭文档盖板，然后选择 LCD 屏幕上的 **OK**。

打印机开始扫描打印头对齐页，并且将自动调整打印头位置。

4103

原因

使用当前打印设置无法执行打印。

处理方法

按打印机的**停止**按钮取消打印。

然后，更改打印设置并重试打印。

5011

原因

发生打印机错误。

处理方法

关闭打印机并拔出插头。

重新插入打印机插头，然后重新开启。

如果此操作未能解决问题，请与最近的 Canon 服务中心联系以要求维修。

5012

原因

发生打印机错误。

处理方法

关闭打印机并拔出插头。

重新插入打印机插头，然后重新开启。

如果此操作未能解决问题，请与最近的 Canon 服务中心联系以要求维修。

5100

原因

发生打印机错误。

处理方法

取消打印并关闭打印机。

检查以下各项：

- 确保打印头固定器的移动不受运输过程中用于固定打印头固定器的胶带、卡纸等阻碍。
移除任何障碍物。
- 确保墨水盒已正确安装。
按墨水盒，直至其锁定到位。

再次开启打印机。

如果此操作未能解决问题，请与最近的 Canon 服务中心联系以要求维修。

重要事项

- 清除妨碍打印头固定器移动的障碍物时，请注意不要触摸白色带子(A)。



如果用纸张或手碰触到这个部件而将其弄脏或划伤，可能会损坏打印机。

5200

原因

发生打印机错误。

处理方法

关闭打印机并拔出插头。

重新插入打印机插头，然后重新开启。

如果此操作未能解决问题，请与最近的 Canon 服务中心联系以要求维修。

5B00

原因

发生打印机错误。

处理方法

请与最近的 Canon 服务中心联系以要求维修。

▶▶ 注释

- 如果因剩余墨水量而导致出现警告或错误，打印机将无法打印或扫描。

6000

原因

发生打印机错误。

处理方法

如果发生卡纸，请根据卡纸位置和原因取出纸张。

■ [与错误对应的支持代码列表\(卡纸\)](#)

关闭打印机并拔出插头。

重新插入打印机插头，然后重新开启。

如果此操作未能解决问题，请与最近的 Canon 服务中心联系以要求维修。

C000

原因

发生打印机错误。

处理方法

取消打印并关闭打印机。

检查以下各项：

- 确保打印头固定器的移动不受运输过程中用于固定打印头固定器的胶带、卡纸等阻碍。
移除任何障碍物。
- 确保墨水盒已正确安装。
按墨水盒，直至其锁定到位。

再次开启打印机。

如果此操作未能解决问题，请与最近的 Canon 服务中心联系以要求维修。

重要事项

- 清除妨碍打印头固定器移动的障碍物时，请注意不要触摸白色带子(A)。



如果用纸张或手碰触到这个部件而将其弄脏或划伤，可能会损坏打印机。